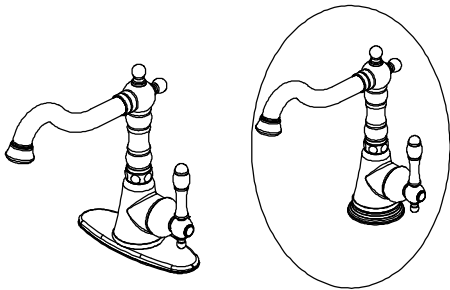


# Premier®

Brand Bar Faucets



Model Number: 120347LF&120348LF

## INSTALLATION

### Tools:

Adjustable wrench



Pipe tape



Pipe wrench



Groove joint pliers



Basin wrench



screwdriver



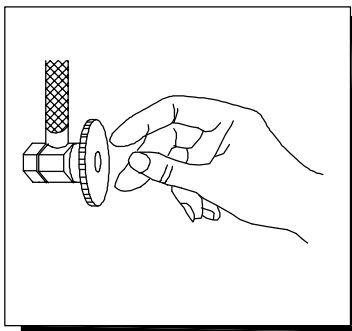
Plumber's putty



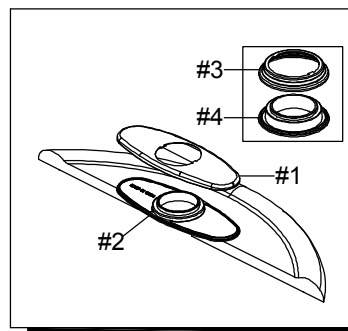
### Cleaning:

To maintain and protect the fine luster of all products. Clean with a soft damp cloth only. DO NOT USE detergents or cleanser as they may harm the protective finish.

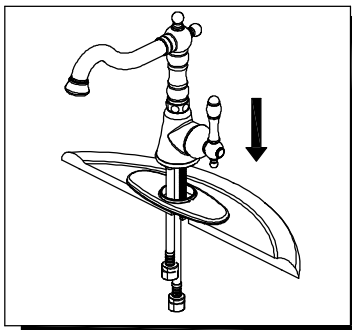
## INSTALLATION STEPS: Single handle bar faucet



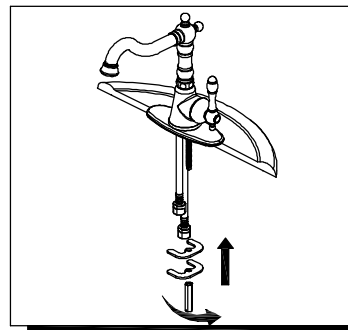
1. Shut off water supply at angle stop. Remove old faucet. Clean sink surface in preparation for new faucet.



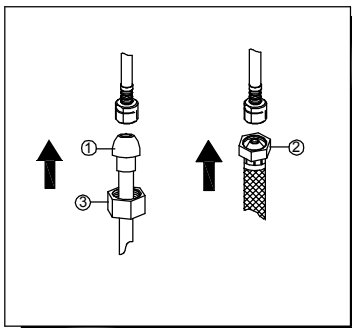
2. Install cover plate (optional)  
Remove old faucet. Clean sink surface. Place base plate (#2) and cover plate (#1) on the sink. If you do not use cover plate, please use flange (#3) and Seat (#4) to replace cover plate and base plate.



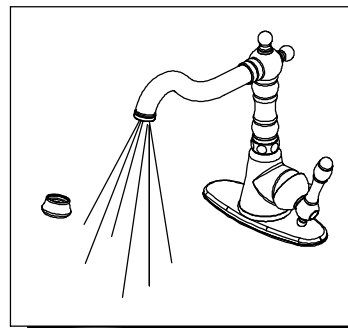
3. Place new faucet hoses and thread rod through the center hole of sink.



4. From underside, assemble rubber Washer metal washer and mounting nut onto the thread rod and tighten mounting nut. Do not overtighten.

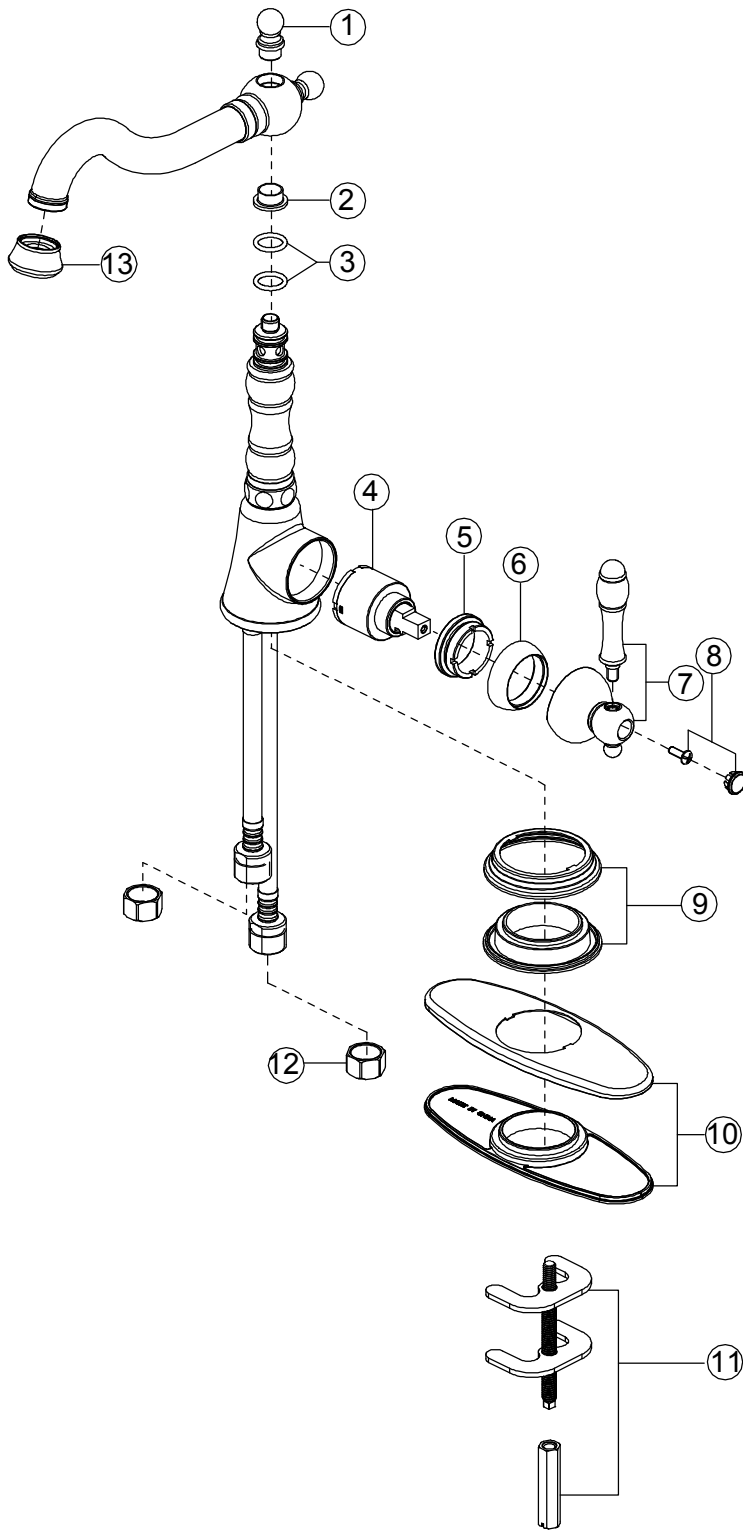


5. Make Connections to water lines:  
Choose hook-ups for 1/2" I.P.S. connections: (1) Ball nose riser (3/8" O.D. copper tubing), or (2) 1/2" I.P.S. faucet connector. Use the enclosed coupling nuts (3) with the ball nose risers (1). Use two wrenches when tightening. Do not overtighten.



6. Important: After installation is completed, remove aerator. Turn on water supply and allow both hot and cold water to run for at least one minute each. While water is running, check for leaks. Replace aerator.

Parts List



MODEL NO. 120347LF			
NO.	PART DESCRIPTION	PART NO.	QTY.
1	Accessorize Head	43	1
2	Washer	44	1
3	O-Rings	45	2
4	Ceramic Cartridge	994658	1
5	Bonnet Nut	200	1
6	Bonnet Cap	104	1
7	Handle Assembly	164	1
8	Handle Screw & Index Plug	110	1
9	Lower Escutcheon Kit	113	1
10	3 Hole Deck Plate Kit	116	1
11	Mounting Kit	165	1
12	Coupling Nuts	4CP308	2
13	Aerator	994681	1

MODEL NO. 120348LF			
NO.	PART DESCRIPTION	PART NO.	QTY.
1	Accessorize Head	50	1
2	Washer	44	1
3	O-Rings	45	2
4	Ceramic Cartridge	994658	1
5	Bonnet Nut	200	1
6	Bonnet Cap	105	1
7	Handle Assembly	166	1
8	Handle Screw & Index Plug	111	1
9	Lower Escutcheon Kit	114	1
10	3 Hole Deck Plate Kit	117	1
11	Mounting Kit	165	1
12	Coupling Nuts	4CP308	2
13	Aerator	994682	1