





# Charlestown™

## Description

- Brushed Nickel PVD
- 1/2" IPS Connections
- Widespread Lavatory Faucet
- Two Handle Hot & Cold Control
- Quality Brass Construction
- Wear Resistant Ceramic Disc Technology

## Compliance

- Designed to comply with requirements of ASME A112.18.1
- Meets low lead requirements of NSF Standard- 61, Section- 9
- Complies with the requirements of the UPC (Uniform Plumbing Code)
- Complies with ADA (American With Disabilities Act)
- Meets or exceeds CSA B125
- IAPMO (International Association of Plumbing



## Listings

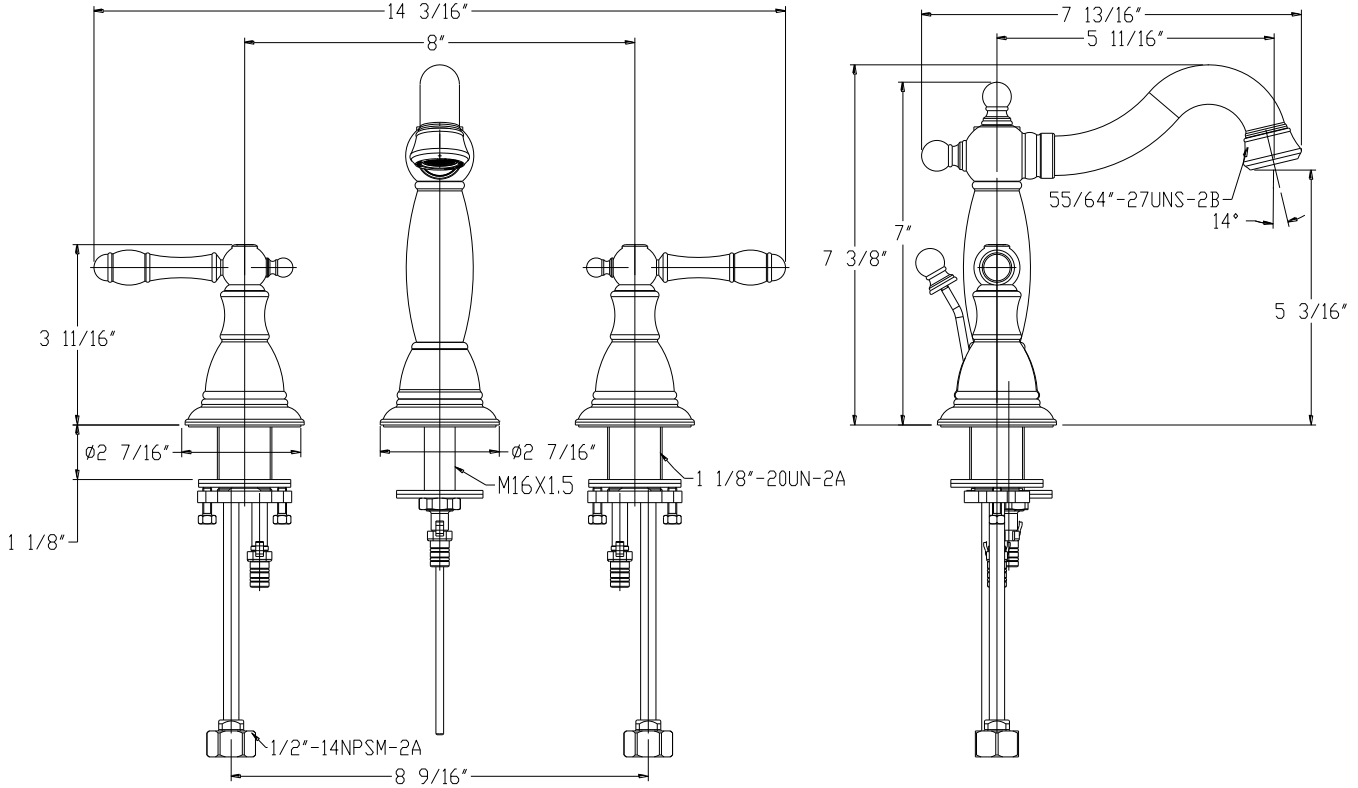
- IAPMO (International Association of Plumbing & Mechanical Officials)
- cUPC (Uniform Plumbing Code & Canadian Uniform Plumbing Code)
- AB 1953 Lead Standard
- EPA WaterSense

## Warranty

- Limited Lifetime Warranty
- Refer to Premier Faucet warranty program for further details and restrictions.

Model 120342LF

8" Widespread Two Handle Lavatory Faucet  
 Brushed Nickel PVD  
 Ceramic Cartridge  
 With Metal Pop-up  
 1/2" IPS Connection



For additional information contact Premier Faucet at 866-745-4010 or visit our website at [www.premierfaucet.com](http://www.premierfaucet.com)