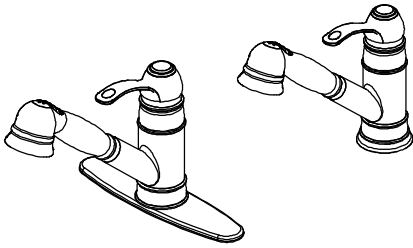


Premier®

Brand Kitchen Faucets



Model Number: 120439LF & 120440LF

INSTALLATION

Tools:

Adjustable wrench



Pipe tape



Pipe wrench



Groove joint pliers



Basin wrench



screwdriver



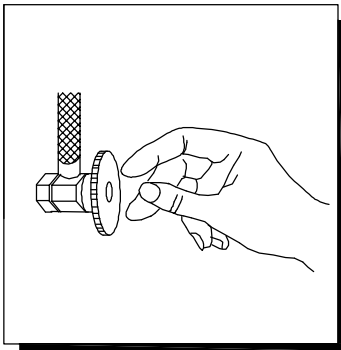
Plumber's putty



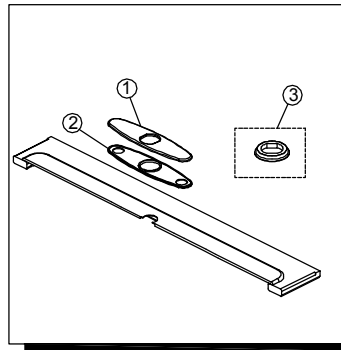
Cleaning:

To maintain and protect the fine luster of all products. Clean with a soft damp cloth only. DO NOT USE detergents or cleanser as they may harm the protective finish.

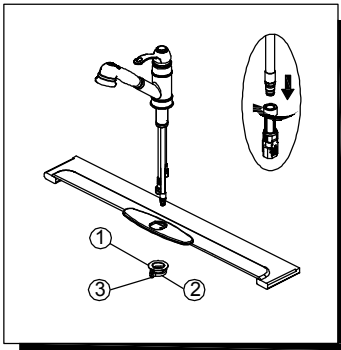
INSTALLATION STEPS: Single handle kitchen faucet



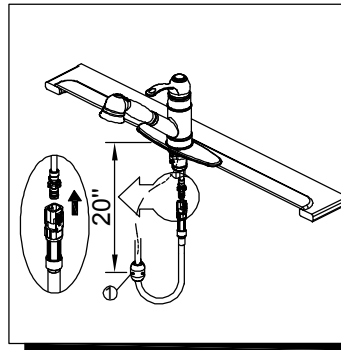
1. Shut off water supply at angle stop. Remove old faucet. Clean sink surface in preparation for new faucet.



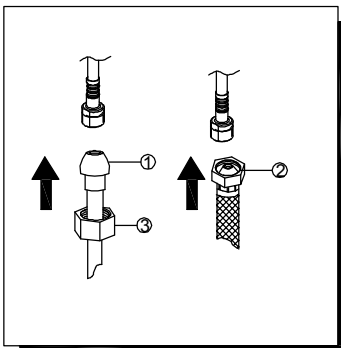
2. Install cover plate (optional)
Remove old faucet, Clean sink surface. Place base plate (2) and cover plate (1) on the sink. If you do not use cover plate, please use flange (3) to replace cover plate and base plate.



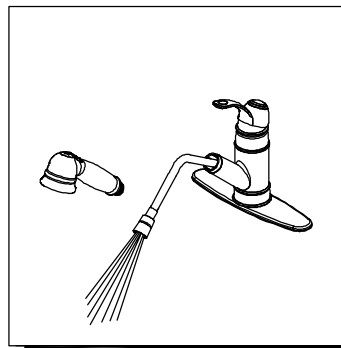
3. Remove quick connect from the end of spray hose. Place new faucet through holes in top of sink. From underside, assemble S.S washer (1) and mounting nut (2) onto shank and tighten mounting nut. Firmly tighten the locking screws (3) to S.S washer. Do not overtighten.



4. Connect sprayer hose
Screw quick connector to the free end of spray hose. Align block and tabs on quick connect. Push quick connect housing firmly upward and snap onto receiving block. Pull down moderately to ensure connection has been made. If it is necessary to remove quick connect, squeeze tabs on hose between index finger and thumb, then pull down to disconnect. Locate the weights (1) twenty inch (20") from the underside of the sink deck.

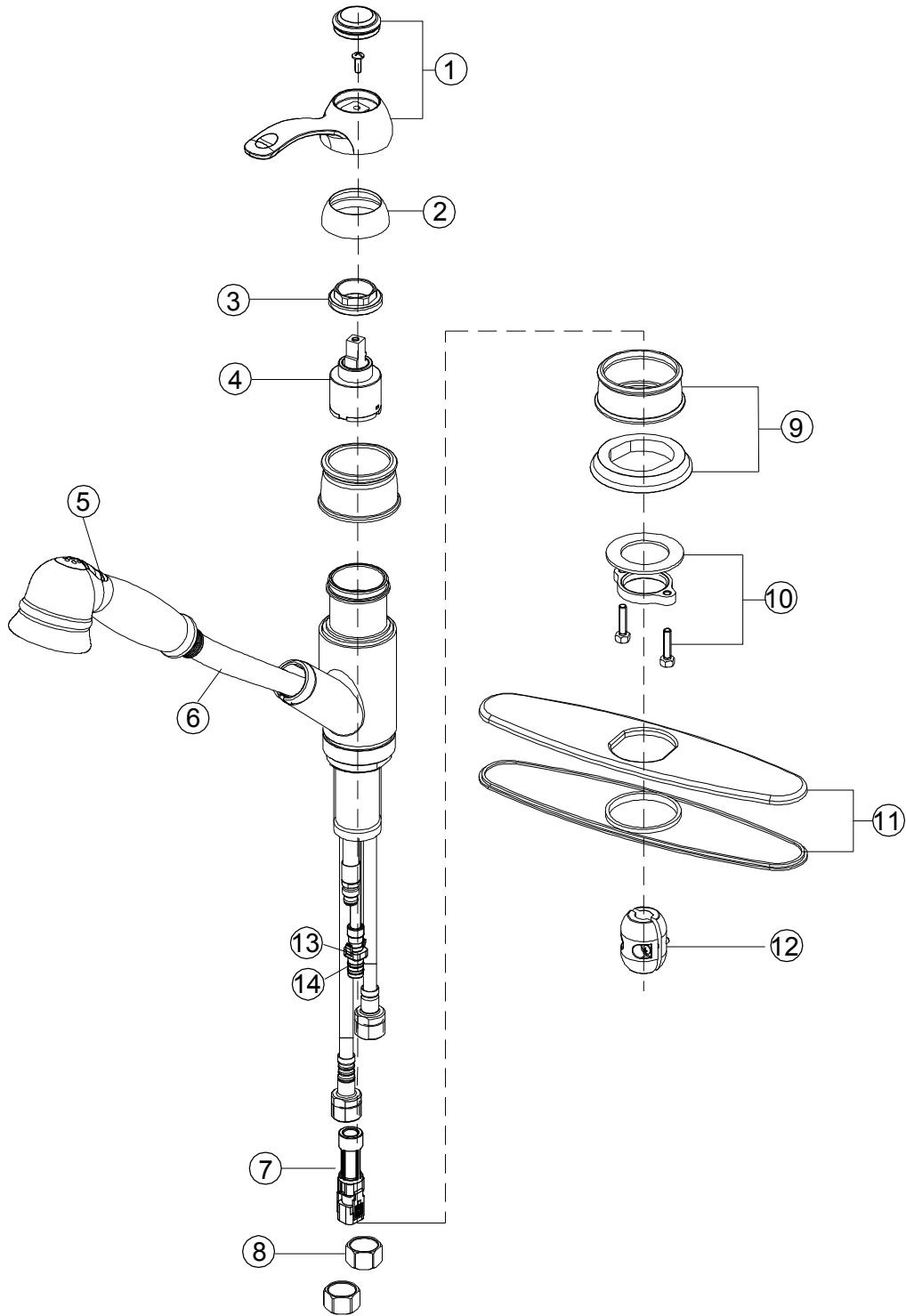


5. Connect to water supplies (HOOK-UPS NOT PROVIDED)
Note: Refer to local plumbing codes for permissible types of water supply connectors.



6. Faucet Operation and Inspection
Turn on hot and cold water supplies. Pull the hose assembly out of the spout and remove the spray head. Be sure to hold the end of the hose down into the sink and turn faucet handle to the mixed position. Flush water lines for one minute. Check for leaks. Re-tighten if necessary, but do not overtighten. Reinstall the spray head tight.

Parts List



| MODEL NO. 120439LF | | | |
|--------------------|-----------------------|----------|------|
| NO. | PART DESCRIPTION | PART NO. | QTY. |
| 1 | Handle Assembly | 994723 | 1 |
| 2 | Bonnet Cap | 994712 | 1 |
| 3 | Bonnet Nut | 994714 | 1 |
| 4 | Ceramic Cartridge | 994658 | 1 |
| 5 | Pull Out Sprayer | 994728 | 1 |
| 6 | Spray Hose | 188 | 1 |
| 7 | Quick Connect | 189 | 1 |
| 8 | Coupling Nuts | 4CP308 | 2 |
| 9 | Lower Escutcheon Kit | 994730 | 1 |
| 10 | Mounting Kit | 994670 | 1 |
| 11 | 3 Hole Deck Plate Kit | 994717 | 1 |
| 12 | Hose Weight | 994573 | 1 |
| 13 | Block | 129 | 1 |
| 14 | O-ring | 130 | 2 |

| MODEL NO. 120440LF | | | |
|--------------------|-----------------------|----------|------|
| NO. | PART DESCRIPTION | PART NO. | QTY. |
| 1 | Handle Assembly | 994724 | 1 |
| 2 | Bonnet Cap | 994713 | 1 |
| 3 | Bonnet Nut | 994714 | 1 |
| 4 | Ceramic Cartridge | 994658 | 1 |
| 5 | Pull Out Sprayer | 994729 | 1 |
| 6 | Spray Hose | 188 | 1 |
| 7 | Quick Connect | 189 | 1 |
| 8 | Coupling Nuts | 4CP308 | 2 |
| 9 | Lower Escutcheon Kit | 994732 | 1 |
| 10 | Mounting Kit | 994670 | 1 |
| 11 | 3 Hole Deck Plate Kit | 190 | 1 |
| 12 | Hose Weight | 994573 | 1 |
| 13 | Block | 129 | 1 |
| 14 | O-ring | 130 | 2 |