



Charlestown™

Description

- Deluxe Chrome Finish
- 1/2" IPS Connections
- Single Metal Lever Handle
- Hi-Rise Spout
- Quality Brass Construction



Compliance

- Designed to comply with requirements of ASME A112.18.1
- Meets low lead requirements of NSF Standard- 61, Section- 9
- Complies with the requirements of the UPC (Uniform Plumbing Code)
- Complies with ADA (American With Disabilities Act)
- Meets or exceeds CSA B125
- IAPMO (International Association of Plumbing



Listings

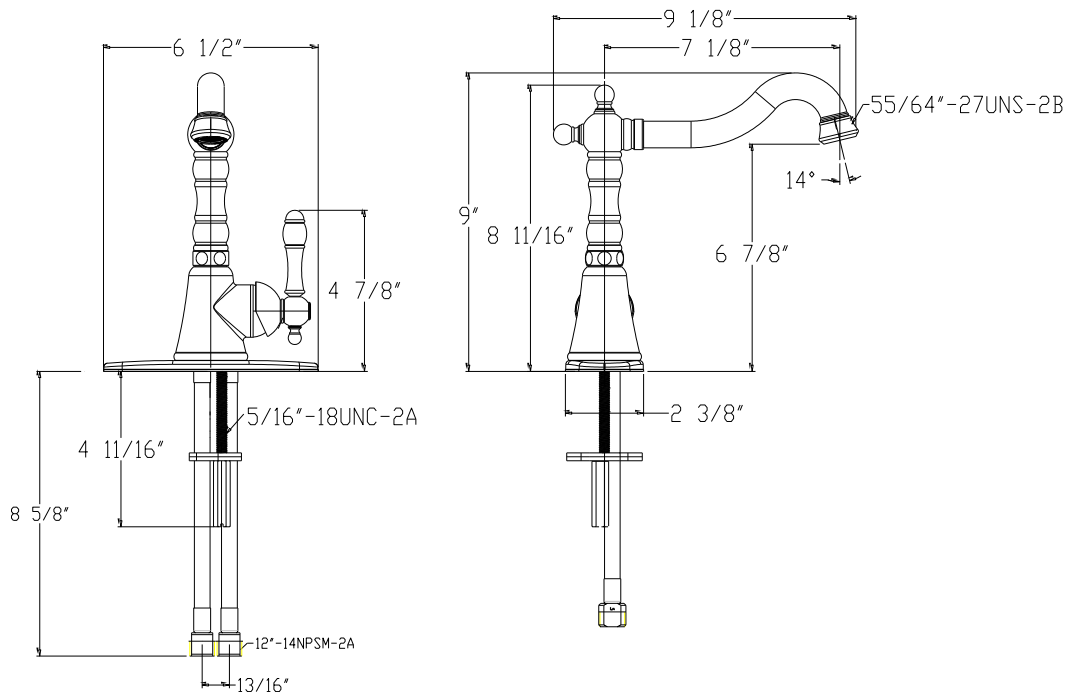
- IAPMO (International Association of Plumbing & Mechanical Officials)
- cUPC (Uniform Plumbing Code & Canadian Uniform Plumbing Code)
- AB 1953 Lead Standard

Warranty

- Limited Lifetime Warranty
Refer to Premier Faucet warranty program for further details and restrictions.

Model 120347LF

Single Metal Lever Handle Bar Faucet
 Chrome Plated Finish
 Ceramic Cartridge
 Optional Deck Plate



For additional information contact Premier Faucet at 866-745-4010 or visit our website at www.premierfaucet.com



Charlestown™

Description

- Brushed Nickel PVD
- 1/2" IPS Connections
- Single Metal Lever Handle
- Hi-Rise Spout
- Quality Brass Construction



Compliance

- Designed to comply with requirements of ASME A112.18.1
- Meets low lead requirements of NSF Standard- 61, Section- 9
- Complies with the requirements of the UPC (Uniform Plumbing Code)
- Complies with ADA (American With Disabilities Act)
- Meets or exceeds CSA B125
- IAPMO (International Association of Plumbing



Listings

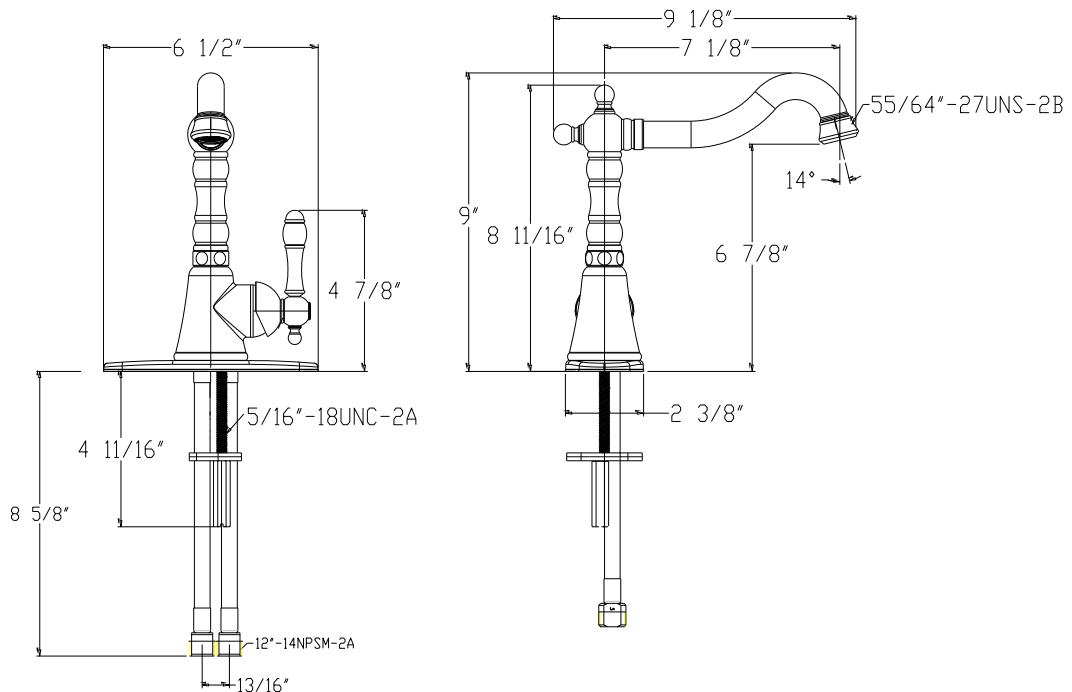
- IAPMO (International Association of Plumbing & Mechanical Officials)
- cUPC (Uniform Plumbing Code & Canadian Uniform Plumbing Code)
- AB 1953 Lead Standard

Warranty

- Limited Lifetime Warranty
Refer to Premier Faucet warranty program for further details and restrictions.

Model 120348LF

Single Metal Lever Handle Bar Faucet
 Brushed Nickel PVD
 Ceramic Cartridge
 Optional Deck Plate



For additional information contact Premier Faucet at 866-745-4010 or visit our website at www.premierfaucet.com