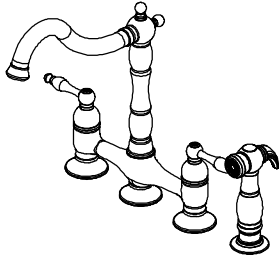


Premier®

Brand Kitchen Faucets



Model Number: 120344LF & 120345LF

INSTALLATION

Tools:

Adjustable wrench



Pipe tape



Pipe wrench



Groove joint pliers



Basin wrench



screwdriver



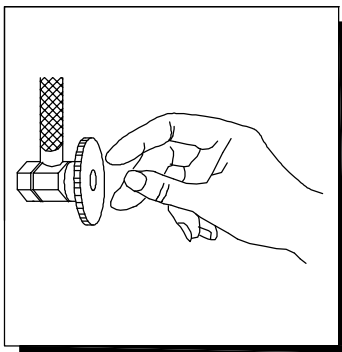
Plumber's putty



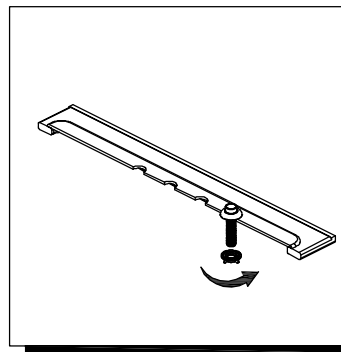
Cleaning:

To maintain and protect the fine luster of all products. Clean with a soft damp cloth only. DO NOT USE detergents or cleanser as they may harm the protective finish.

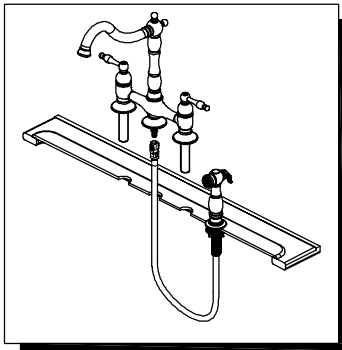
INSTALLATION STEPS: Two handles kitchen faucet



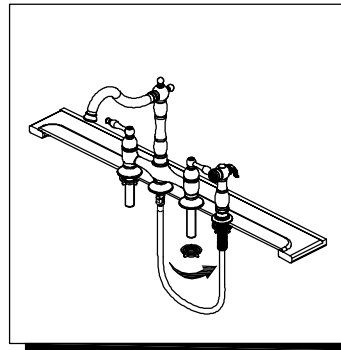
1. Shut off water supply at angle stop. Remove old faucet. Clean sink surface in preparation for new faucet.



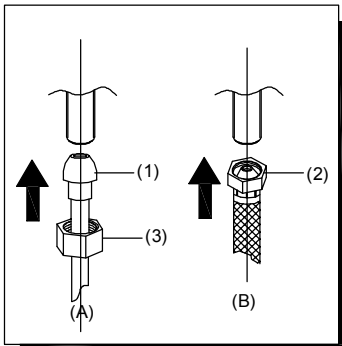
2. Insert sprayer support through far right-hand hole on sink. Screw hold-down nut onto shank and hand tighten.



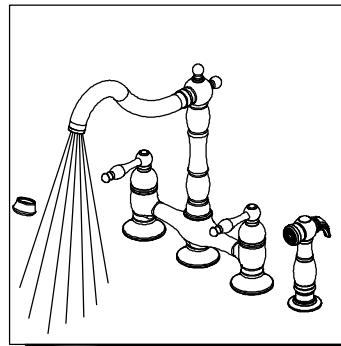
3. Insert sprayer hose down through support and sink. Attach sprayer hose to sprayer hose nipple.



4. From under sink, threads mounting nuts onto faucet. Tighten mounting nuts.

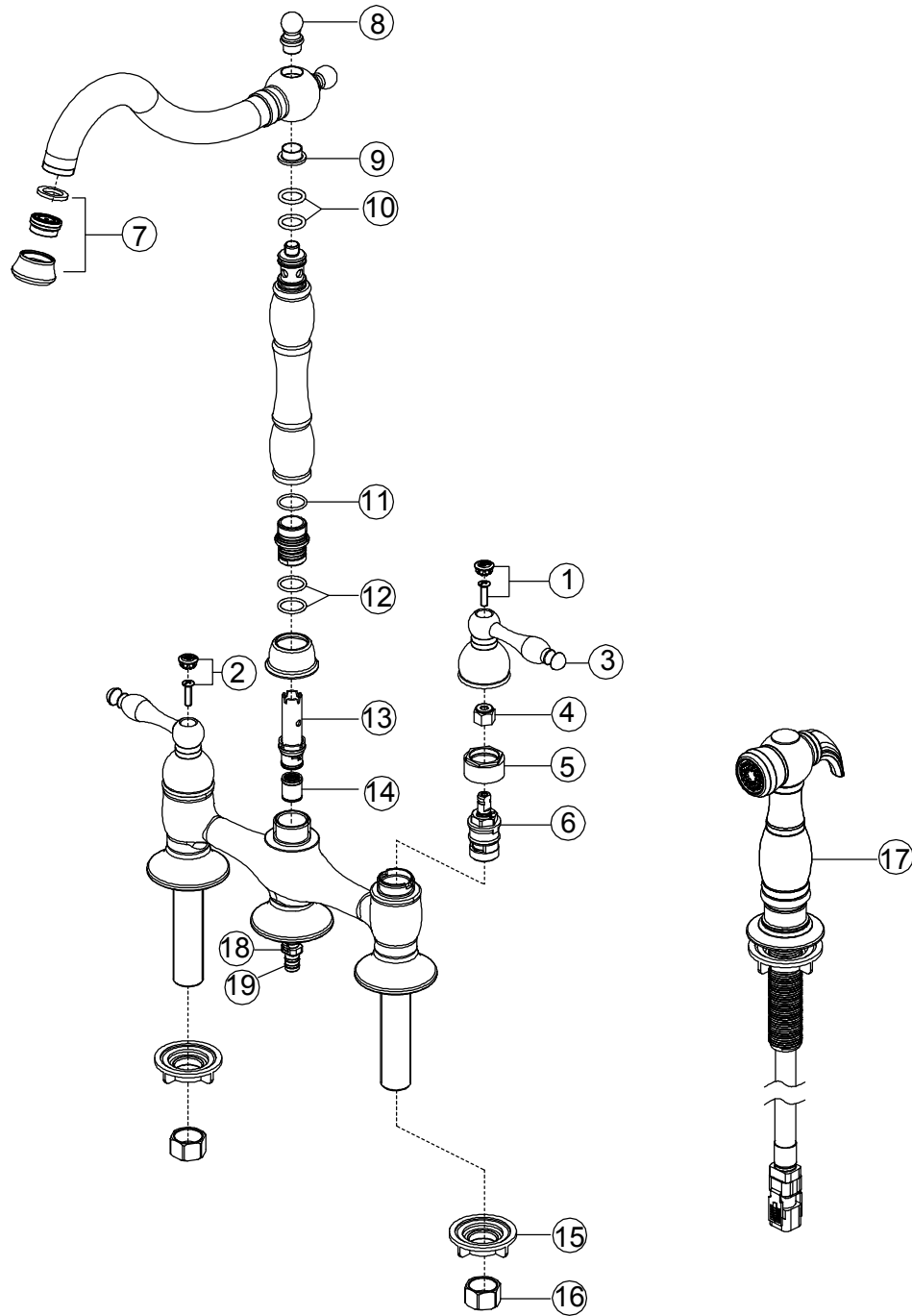


5. Make Connections to water lines: Choose hook-ups for 1/2" I.P.S. connections: (1) Ball nose riser (3/8" O.D. copper tubing), or (2) 1/2" I.P.S. faucet connector Use coupling nuts (3) with the ball nose risers (1). Use wrenches when tightening. Do not overtighten.



6. Important: After installation is completed, remove aerator. Turn on water supply and allow both hot and cold water to run for at least one minute each. While water is running, check for leaks. Replace aerator.

Parts List



MODEL NO. 120344LF			
NO.	PART DESCRIPTION	PART NO.	QTY.
1	Handle Screw & Screw Cap (C)	79	1
2	Handle Screw & Screw Cap (H)	82	1
3	Handle Assembly	85	1
4	Handle Adapter	88	1
5	Bonnet Nuts	89	1
6	Cartridge(H)	3	1
	Cartridge(C)	4	1
7	Aerator	994681	1
8	Acessorize Head	43	1
9	Washer	44	1
10	O-Rings	45	2
11	O-Ring	57	1
12	O-Rings	58	2
13	Diverter	59	1
14	Check Valve	90	1
15	Mounting Nuts	46	2
16	Coupling Nuts	4CP308	2
17	Sprayer, Hose & Cradle	183	1
18	Block	129	1
19	O-ring	130	2

MODEL NO. 120345LF			
NO.	PART DESCRIPTION	PART NO.	QTY.
1	Handle Screw & Screw Cap (C)	80	1
2	Handle Screw & Screw Cap (H)	83	1
3	Handle Assembly	86	1
4	Handle Adapter	88	1
5	Bonnet Nuts	89	1
6	Cartridge(H)	3	1
	Cartridge(C)	4	1
7	Aerator	994682	1
8	Acessorize Head	50	1
9	Washer	44	1
10	O-Rings	45	2
11	O-Ring	57	1
12	O-Rings	58	2
13	Diverter	59	1
14	Check Valve	90	1
15	Mounting Nuts	46	2
16	Coupling Nuts	4CP308	2
17	Sprayer, Hose & Cradle	184	1
18	Block	129	1
19	O-ring	130	2