



Description

- Single lever handle pressure balancing shower only set
- European styling with single point control of hot and cold water
- Non-metering ceramic cartridge
- Solid cast brass valve body with integral check-stops
- Heavy duty chrome plated finish with polished brass accents
- Color matched shower head, escutcheon and trim
- Suitable for shower only installations
- 1/2" IPS connections
- Reversible cartridge is suitable for back-to-back installations

Performance

- Designed to provide 2.5 GPM at 80 PSI shower head performance

Compliance

- Designed to comply with requirements of ASME A112.18.1
- Meets or exceeds ASSE 1016 performance standards
- Complies with ADA (American With Disabilities Act)
- Complies with the requirements of the UPC (Uniform Plumbing Code)
- Meets or exceeds CSA B125

Listings

- IAPMO (International Association of Plumbing & Mechanical Officials)
- cUPC (Uniform Plumbing Code & Canadian Uniform Plumbing Code)
- CSA (Canadian Standards Association)
- ASSE (American Society of Sanitary Engineering)

Warranty

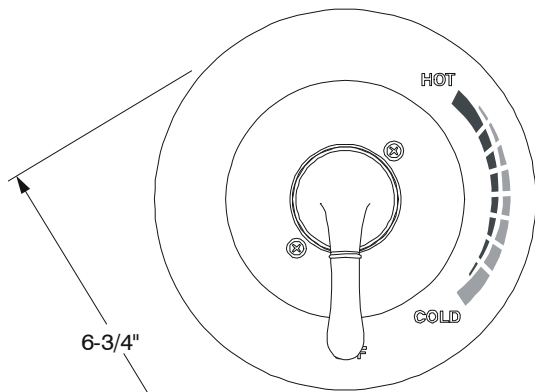
- Limited Lifetime Warranty
Refer to Premier Faucet warranty program for further details and restrictions.

Sanibel™

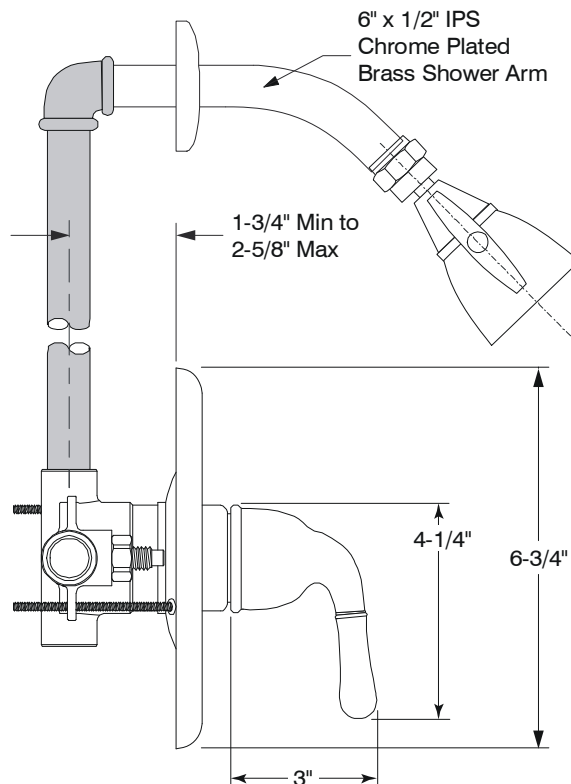
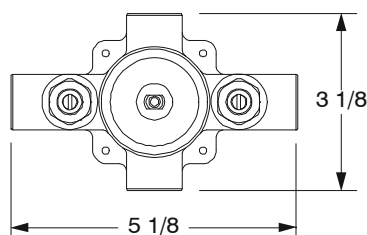


Model 120185

Single Lever Handle Shower Only Set
 Chrome Plated Finish with Polished
 Brass Accents
 Pressure Balancing
 1/2" IPS Connection



All Dimensions Are Nominal



For additional information contact Premier Faucet at 866-745-4010 or visit our website at www.premierfaucet.com