



# WASHERLESS SHOWER ONLY SET SPECIFICATIONS

Model 120153

## Description

- Single lever handle antique style shower only set
- Trouble-free washerless cartridge, reversible for back-to-back installations
- P- Type pressure balancing mechanism with integral check-stops
- Brushed nickel finish
- All brass construction
- 1/2" MIP/sweat inlets with 1/2" FIP outlets
- Includes plastic rough-in plate

## Performance

- Designed to provide 2.5 GPM at 80 PSI shower head performance

## Compliance

- Designed to comply with requirements of ASME A112.18.1
- Meets or exceeds ASSE 1016 performance standards
- Complies with ADA (American With Disabilities Act)
- Complies with the requirements of the UPC (Uniform Plumbing Code)
- Meets or exceeds CSA B125

## Listings

- IAPMO (International Association of Plumbing & Mechanical Officials)
- UPC (Uniform Plumbing Code)
- CSA (Canadian Standards Association)
- ASSE (American Society of Sanitary Engineering)

## Warranty

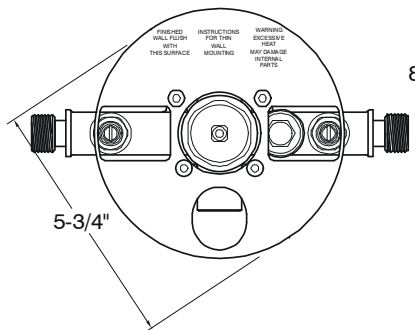
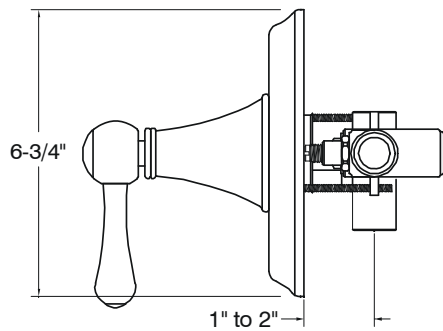
- Limited Lifetime Warranty  
Refer to Premier Faucet warranty program for further details and restrictions.

# SONOMA™

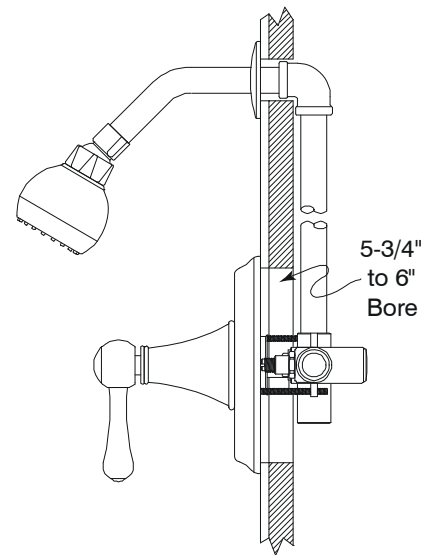
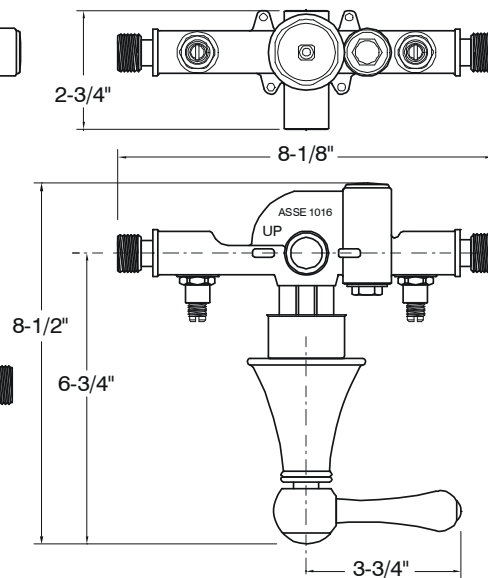


## Model 120153

Single Lever Handle Shower Only Set  
Brushed Nickel Finish  
Pressure Balancing  
1/2" IPS Connection



All Dimensions Are Nominal



For additional information contact Premier Faucet at 866-745-4010 or visit our website at [www.premierfaucet.com](http://www.premierfaucet.com)

