



## Description

- Distinctive modern style single lever handle tub & shower shower set
- Trouble-free washerless cartridge, reversible for back-to-back installations
- P- Type pressure balancing mechanism with integral check-stops
- Heavy duty chrome plated finish
- All brass construction
- 1/2" MIP/sweat inlets with 1/2" FIP outlets
- Includes color matched tub spout
- Includes plastic rough-in plate

## Performance

- Designed to provide 2.5 GPM at 80 PSI shower head performance
- Designed to provide 2.4 GPM at 20 PSI tub filler performance

## Compliance

- Designed to comply with requirements of ASME A112.18.1
- Meets or exceeds ASSE 1016 performance standards
- Complies with ADA (American With Disabilities Act)
- Complies with the requirements of the UPC (Uniform Plumbing Code)
- Meets or exceeds CSA B125

## Listings

- IAPMO (International Association of Plumbing & Mechanical Officials)
- UPC (Uniform Plumbing Code)
- CSA (Canadian Standards Association)
- ASSE (American Society of Sanitary Engineering)

## Warranty

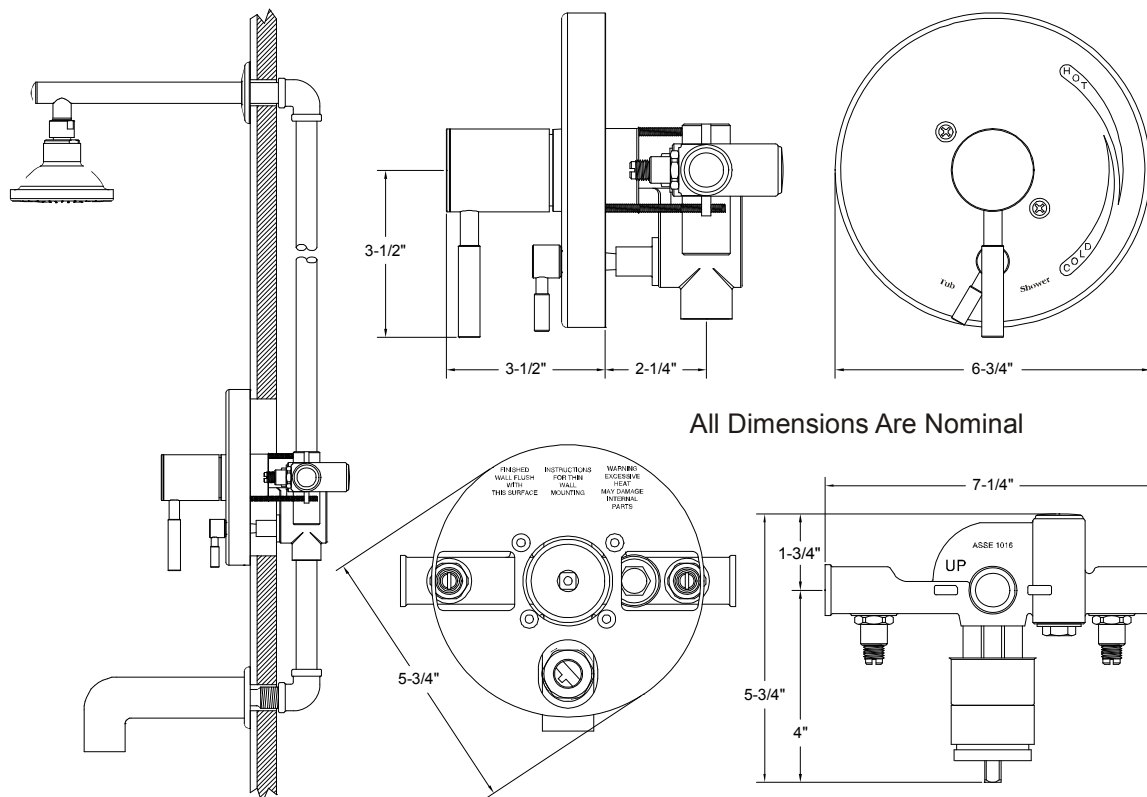
- Limited Lifetime Warranty  
Refer to Premier Faucet warranty program for further details and restrictions.

# EsSEN™



## Model 120093

Single Lever Handle Tub & Shower Set  
 Chrome Plated Finish  
 Pressure Balancing  
 1/2" IPS Connection



All Dimensions Are Nominal

