



Model 120048

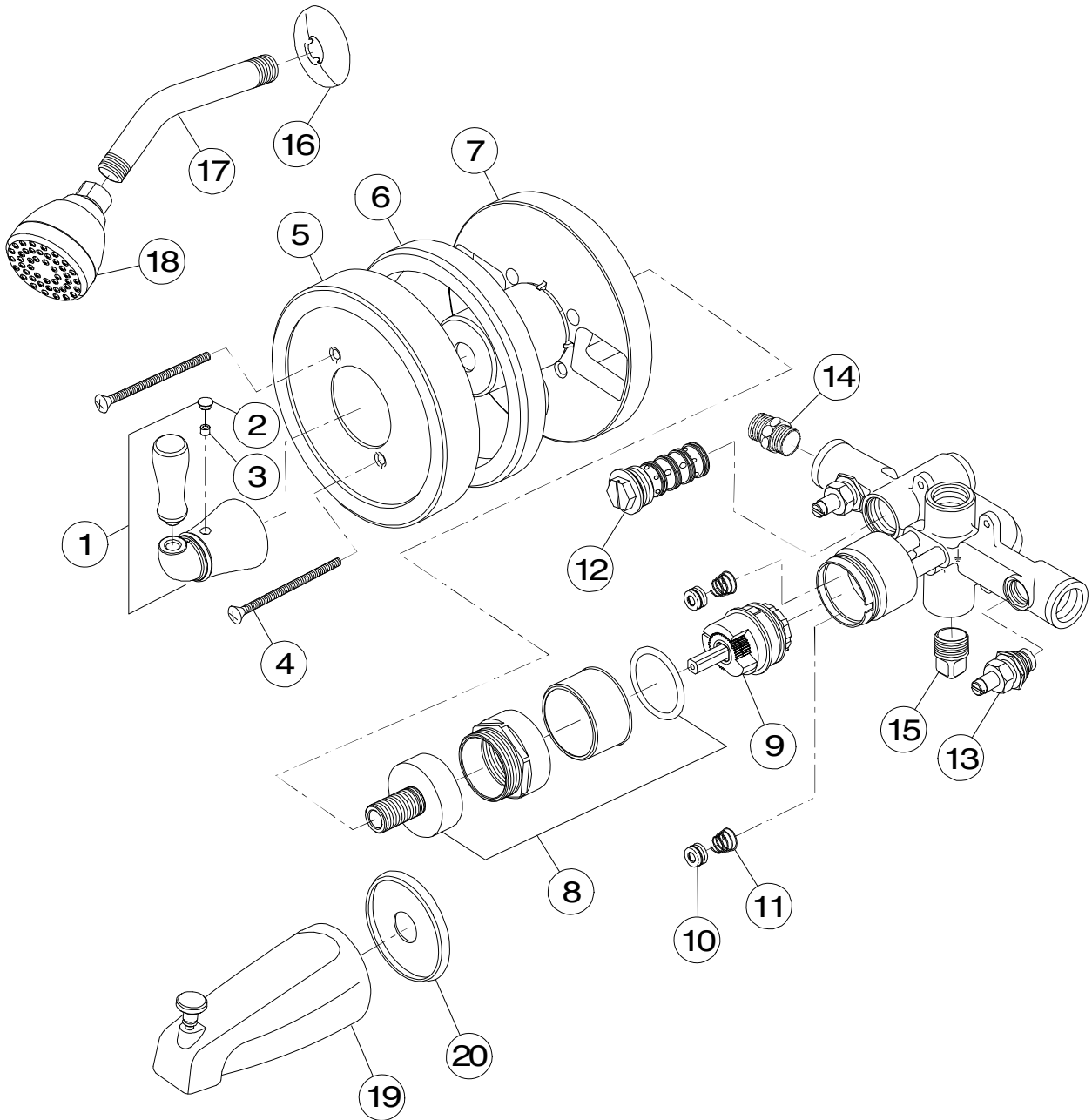
Single Lever Handle Tub & Shower Set
Pressure Balancing
Chrome Plated Finish
1/2" IPS Connection

Sanibel™



Model 120048

Refer to Premier Faucet Parts List Sheet for part numbers and ordering information.



For additional information contact Premier Faucet at 866-745-4010 or visit our website at www.premierfaucet.com





Model 120048

Single Lever Handle Tub & Shower Set
Pressure Balancing
Chrome Plated Finish
1/2" IPS Connection

Sanibel™



Model 120048

Refer to Premier Faucet Parts Schematic Sheet for parts diagram.

INDEX	DESCRIPTION	MATERIAL	QTY	PART NO
1	HANDLE ASSEMBLY	BRASS	1	994148
2	INDEX PLUG	PLASTIC	1	994204
3	HANDLE SCREW	STAINLESS STEEL	1	994196
4	PLATE SCREW	BRASS	2	994442
5	ESCUTCHEON	BRASS	1	994416
6	GASKET	RUBBER	1	994523
7	ROUGH-IN PLATE	PLASTIC	1	994580
8	SPINDLE & BARREL ASSY	BRASS	1	994445
9	CARTRIDGE	PLASTIC	1	994111
10	SEAT WASHER	RUBBER	2	133398
11	SPRING	STAINLESS STEEL	2	133400
12	BALANCER ASSEMBLY	STAINLESS STEEL	1	133139
13	INTEGRAL STOP	BRASS	2	994554
14	SWEAT ADAPTER	BRASS	4	994587
15	IPS PLUG	BRASS	1	109-8
16	ESCUTCHEON	STAINLESS STEEL	1	ESC1
17	SHOWER ARM	BRASS	4	79101
18	SHOWER HEAD	PLASTIC	1	192031
19	TUB SPOUT	METAL	1	101003
20	TUB SPOUT TRIM	METAL	1	994314

