

NOTE: This Model is discontinued effective February 1, 2014. Substitute with Universal Model ST-2009 (2102009).

Model
ST-2003-A Series
HET Vitreous China Water Closet

DESCRIPTION

Complete vitreous china water closet.

Flush Cycle

Model ST-2003-1.6 (1.6 gpf/6.0 Lpf)

Code: 2102003



SPECIFICATIONS

Water Closet

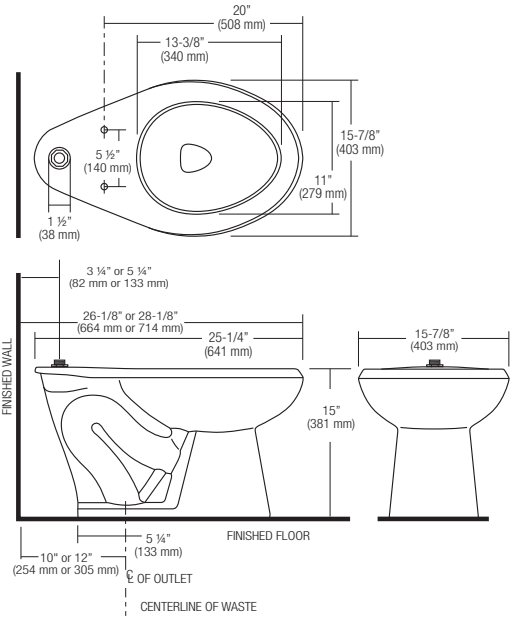
- Vitreous china
- Floor mounted
- Siphon jet flushing action
- 1-1/2" I.P.S. top spud inlet
- 2" trapway diameter
- Fully glazed trapway
- Toilet seat not included
- Integral flushing rim
- Elongated bowl
- Water spot area 9 1/2" x 7 3/8"
- Closet bolts and caps included
- Water closet compliant to the applicable sections of ASME A112.19.2/CSA B45.1

Colors/Finishes

- White

Recommended Seats

- Bemis - 1955CT/1955SCT & 2155CT/2155SCT
- Church - 295CT/295SCT & 2155CT/2155SCT



NOTE: All vitreous china dimensions shown in these drawings are nominal. Dimensions can vary within the tolerances established in the governing ASME A112.19.2/CSA B45.1 standard. Please take this into consideration when planning rough-in and plumbing layouts.

Product Specification

Elongated water closet shall be made of vitreous china with a 1.5" top spud. Water Closet shall use 1.6 gpf / 6.0 Lpf. Water Closet shall be Sloan Model ST-2003-1.6.



NOTE: Plumbing System Requirements

- ✓ Minimum **Flowing** Pressure: 25 PSI
- ✓ Maximum Fixture Static Pressure: 80 PSI
- ✓ Minimum Flow Rate: 18 GPM

This space for Architect/Engineer approval	
Job Name	Date
Model Specified	Quantity
Variations Specified	
Customer/Wholesaler	
Contractor	
Architect	



Sloan Valve Company
10500 Seymour Avenue,
Franklin Park, IL 60131
Phone: 1-800-9-VALVE-9 (982-5839)
or 1-847-671-4300
Fax: 1-800-447-8329 or 1-847-671-4380
www.sloanvalve.com

Copyright © 2013 Sloan Valve Company
ST-2003 12-13