

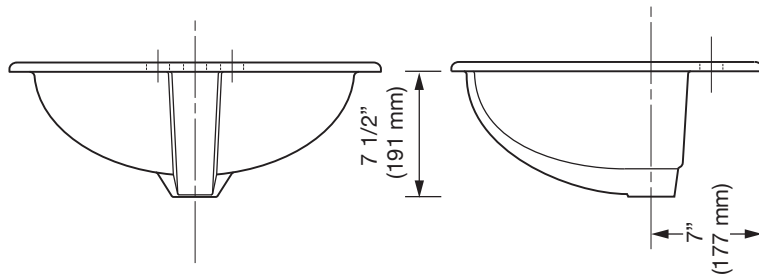
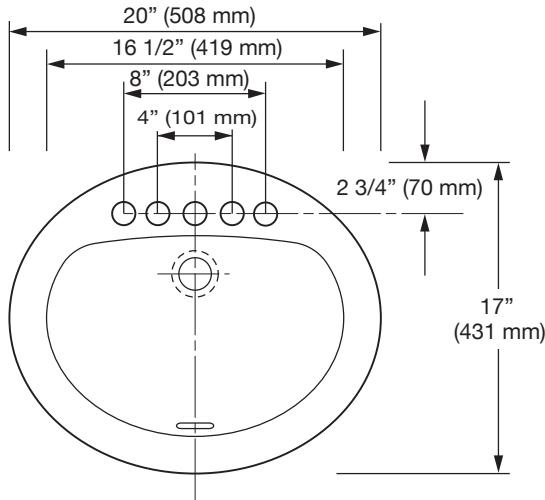
## DESCRIPTION

Complete vitreous china lavatory

- Model SS-3102-Single Hole  
Code: 3873102
- Model SS-3002-4" (102 mm) Centers  
Code: 3873002
- Model SS-3802-8" (203 mm) Centers  
Code: 3873802



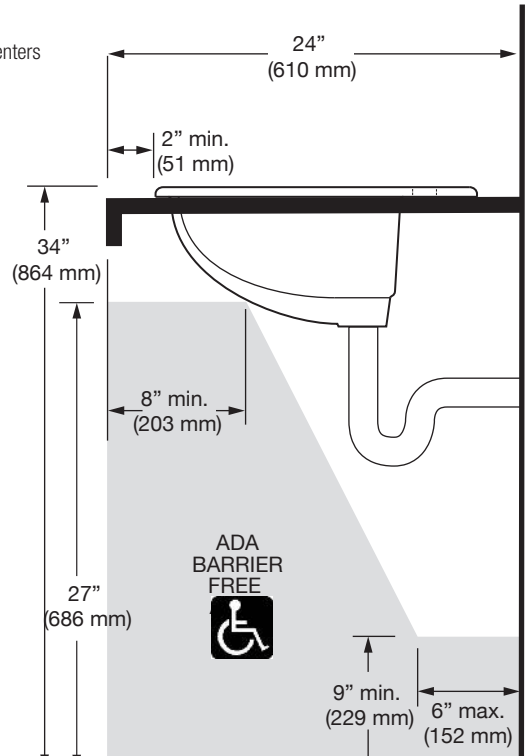
Model SS-3002 Shown



## SPECIFICATIONS

### Lavatory

- White vitreous china
- Self-rimming
- Single hole, 4" (102 mm) and 8" (203 mm) centers
- Front overflow
- ADA compliant when mounted with lavatory mounted at 34" from finished floor. See illustration for recommended ADA installation
- 20" (508 mm) x 17" (431 mm)
- Compliant to the applicable sections of ASME A112.19.2/CSA B45.1



### Product Specification

Sink shall be made of vitreous china with an overflow. Sink shall be drop-in mounted. Sink shall have a 4" centerset. Sink shall be Sloan Model SS-3\_02.

**NOTE:** All vitreous china dimensions shown in these drawings are nominal. Dimensions can vary within the tolerances established in the governing ASME A112.19.2/CSA B45.1 standard. Please take this into consideration when planning rough-in and plumbing layouts.



This space for Architect/Engineer approval	
Job Name _____	Date _____
Model Specified _____	Quantity _____
Variations Specified _____	
Customer/Wholesaler _____	
Contractor _____	
Architect _____	

## SLOAN®

Sloan Valve Company  
 10500 Seymour Avenue  
 Franklin Park, IL 60131  
 Phone: 1-800-9-VALVE-9 (982-5839)  
 or 1-847-671-4300  
 Fax: 1-800-447-8329 or 1-847-671-4380  
 www.sloanvalve.com

Copyright © 2013 Sloan Valve Company  
 SS-3002 09-13