

Model
WEUS-1000.1001-0.125
Manual HEU Flushometer and HEU Urinal Fixture

DESCRIPTION

Complete HEU system with exposed manual Royal® urinal Flushometer and vitreous china urinal fixture.

Flush Cycle

Model WEUS 1000.1001-0.125 (0.125 gpf/0.5 Lpf)

Code: 10001001



Meets the American Disabilities Guidelines and ANSI A117.1 requirements when installed according to these requirements.

SPECIFICATIONS

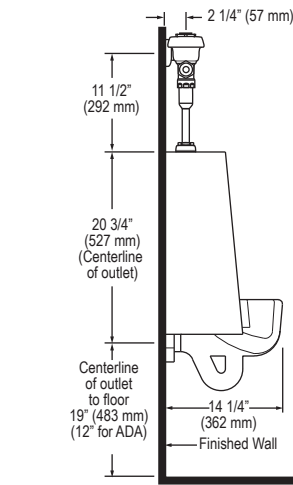
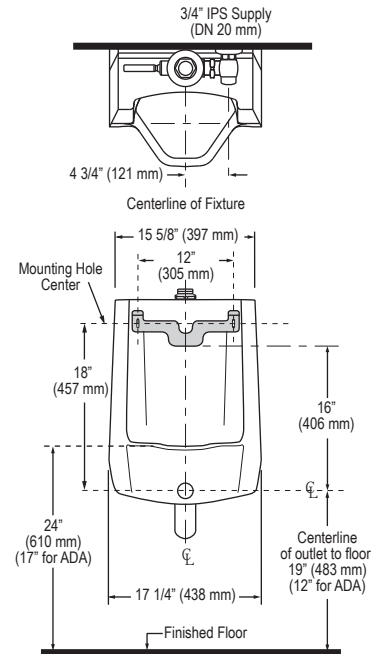
Quiet, exposed, diaphragm type, chrome plated urinal Flushometer and vitreous china urinal with the following features:

Flushometer

- PERMEX® Synthetic Rubber Diaphragm with Dual Bypass
- ADA compliant metal oscillating Non-Hold-Open Handle with Triple Seal Handle Packing
- 3/4" I.P.S. Screwdriver Bak-Chek® Angle Stop
- Free spinning Vandal Resistant Stop Cap
- Adjustable Tailpiece
- High Back Pressure Vacuum Breaker Flush Connection with One-piece Bottom Hex Coupling Nut
- Spud Coupling and Flange for 3/4" Top Spud
- Sweat Solder Adapter w/Cover Tube and Cast Wall Flange with Set Screw
- High copper, low zinc brass castings for dezincification resistance
- Non-Hold-Open Handle, Fixed Metering Bypass and no external volume adjustment to ensure water conservation
- Flush accuracy controlled by CID® technology
- Diaphragm, Handle Packing, Stop Seat and Vacuum Breaker molded from PERMEX® rubber compound for chloramine resistance
- Valve Body, Cover, Tailpiece and Control Stop shall be in conformance with ASTM Alloy Classification for Semi-Red Brass. Valve shall be in compliance to the applicable sections of ASSE 1037/ ASME A112.19.2/CSA B45.1

Fixture

- Wall hung vitreous china with Integral flushing rim
- Washdown flushing action
- Vandal resistant strainer assembly included
- 3/4" I.P.S. top spud inlet
- 2" NPT outlet flange
- All mounting hardware included
- 100 % factory flush tested
- Compliant to the applicable sections of ASME A112.19.2/CSA B45.1
- Carrier not included
- Compliant with Buy American Act when purchased as a combination



NOTE: All vitreous china dimensions shown in these drawings are nominal. Dimensions can vary within the tolerances established in the governing ASME A112.19.2/CSA B45.1 standard. Please take this into consideration when planning rough-in and plumbing layouts.



NOTE: Plumbing System Requirements
√ Minimum **Flowing** Pressure: 25 PSI
√ Maximum Fixture Static Pressure: 80 PSI

This space for Architect/Engineer approval	
Job Name	Date
Model Specified	Quantity
Variations Specified	
Customer/Wholesaler	
Contractor	
Architect	

SLOAN

Sloan Valve Company
10500 Seymour Avenue
Franklin Park, IL 60131
Phone: 1-800-9-VALVE-9 (982-5839)
or 1-847-671-4300
Fax: 1-800-447-8329 or 1-847-671-4380
www.sloanvalve.com

Copyright © 2013 Sloan Valve Company
WEUS-1000.1001 11-13