



# Instruction Manual

## Slim Burner Insert

307 Tchoupitoulas Street, Suite 100 • New Orleans, LA 70130  
p : 888.596.6960 | 504.596.6960 • f: 504.529.3496

[www.brasafire.com](http://www.brasafire.com)



Please read this entire instruction manual before operating your new brasa burner. By doing so you will learn how to correctly operate your new burner. Please keep this instruction manual and do not throw it away. This instruction manual should be read by all users of the burner. Failure to do so could result in property or bodily damages.

## Basic Safety Instructions

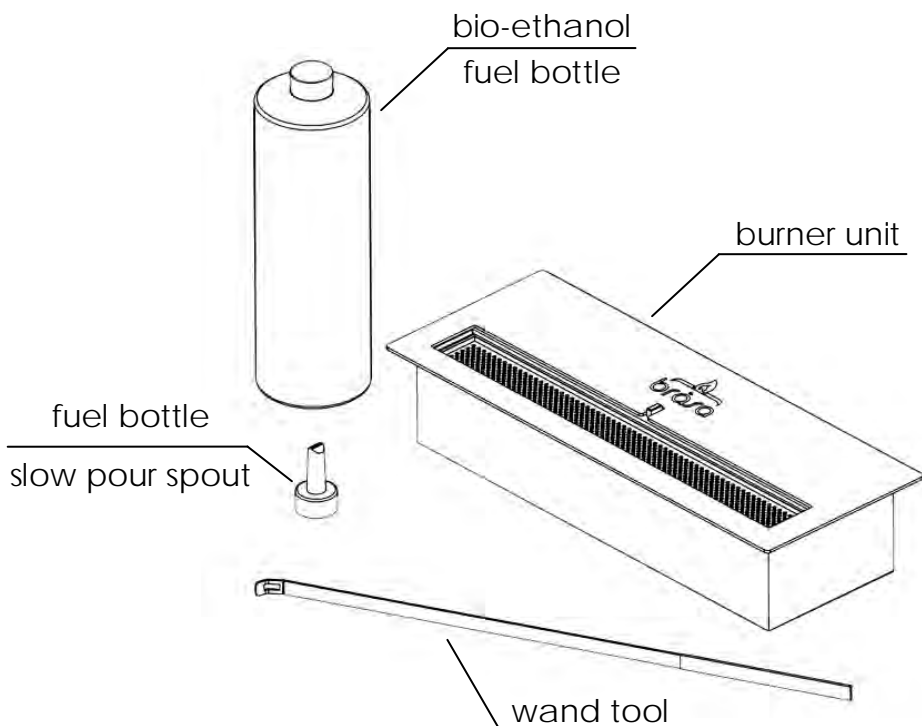
Please consider that an open fire is always a potential hazard.

- A burner that is in use should never be left unattended.
- Keep children and pets away from a burner that is in operation.
- The burner is not a toy.
- The burner should always be placed on a flat, horizontal surface.
- Only adults should operate the burner.
- Always read and follow the instructions that are printed on the bio-ethanol bottle.
- Only use bio-ethanol as fuel. Bio-ethanol is also known as denatured alcohol or methylated spirits. No other fuel can be used for this kind of burner. Failure to do so could result in a uncontrollable fire.
- Always place the burner at a safe distance from flammable materials, at least 3 feet in each direction. Do not place on or near carpets or rugs.
- Never place any objects on top or inside of the burner.
- The burner gets hot during use. Never touch the burner while it is in use. Wait at least one hour after the fire has been extinguished before touching.
- Never try to add fuel to the burner while it is burning, this could cause severe damage. Wait at least one hour after the fire has been extinguished before refueling.
- For lighting the burner, please follow the instructions found later in this manual.
- For extinguishing the burner, please follow the instructions found later in this manual.

Before using your new slim burner insert for the first time please be sure to follow these steps:

- Please be sure to remove all packaging material and any stickers or labels.
- Check the contents of the package for damages to the unit, and to make sure all parts of the unit have been included.
- Please contact your distributor if there are any damaged or missing parts.
- Please keep all packing materials away from children, as it could be a choking or suffocation hazard if used improperly.

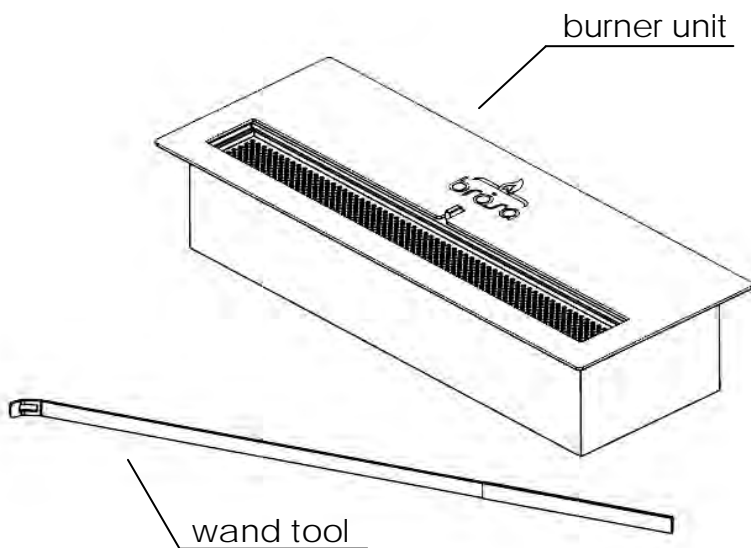
### Item Identification



In the slim burner package you will find the burner unit, and wand tool. There is no assembly needed for the slim burner insert.

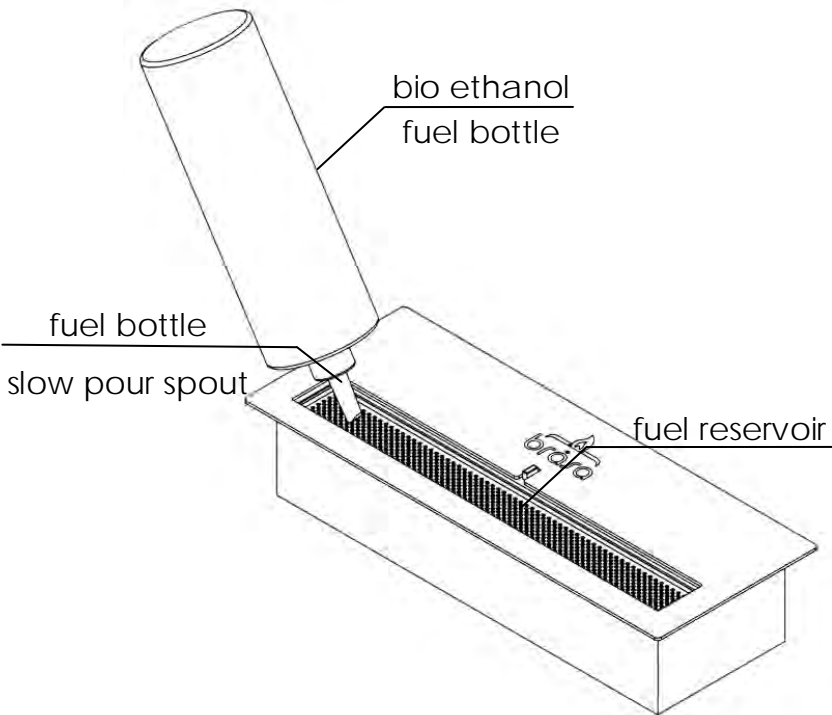
Once you have unpacked your new burner please check to make sure that you have all of the pieces needed and that none are damaged. If not please contact your dealer for replacement parts.

Once you have checked for damages, the burner needs to be set in place. This can be in a brasa housing or a custom built-in surround. The burner is now ready for use.



### Filling the bio-ethanol

- Attach the plastic slow pour spout to the bio-ethanol bottle. The cap should only be attached during filling. When filling is complete, the original cap should be put back on to prevent spilling.
- Do not spill the bio-ethanol.
- If bio-ethanol is spilled, wipe the affected area dry immediately. Once you have dried the area, use a wet cloth to clean the affected area. This will prevent the spilled ethanol from burning accidentally.
- Spilled ethanol can damage some surfaces like wood and leather. By following the above instructions you are minimizing the possibility of damage.
- The burner should not be filled above the level of the baffle.
- The burner does not need to be filled to the top for proper use.



### Lighting the burner

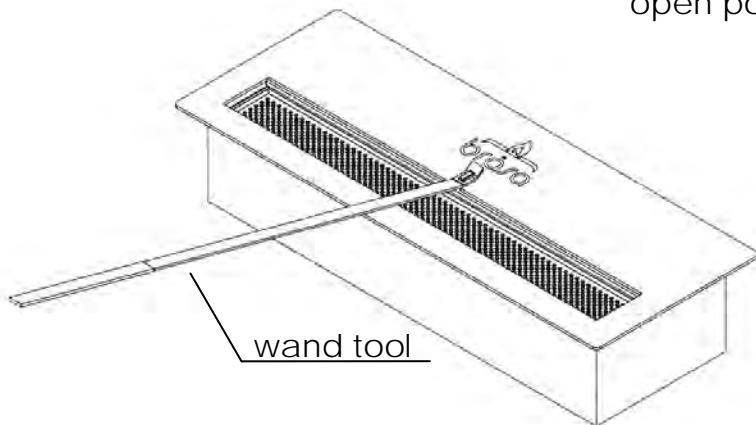
- Once the burner has been fueled it is ready to be lighted.
- Have the burner in the open position.
- Use a long lighter or match to light the burner, light the bio-ethanol that is in the fuel reservoir.
- The lighter or match should be at least 8 inches long.
- Never position your hand over the fuel reservoir, and do not stand over the burner while lighting, always light burner from the side and never have any body parts over the opening of the burner.
- Never blow air directly into the flame at any point of the burner process, this is a burning hazard.
- Never add bio-ethanol to an open flame, this is a explosion hazard, always make sure the fire has been completely extinguished for 30 minutes before adding more fuel.

### Extinguishing the burner

- Never try to extinguish the flame using water. This is an explosion hazard.
- The fireplace has to cool down for one hour before handling.
- To extinguish the fire use the wand tool to move the cover to the closed position.
- The wand tool key is the rectangular post that is sticking up from the cover.
- When the burner is not in use it should always be in the closed position.
- Please see images on the next page for picture instructions.
- Only use the wand tool to open and close the cover, cover will be very hot during use and will burn the user if touched.
- If the flame does not extinguish completely when the cover is pushed into the closed position, then move the cover back to the open position and then to the closed position again in two more rapid motions.

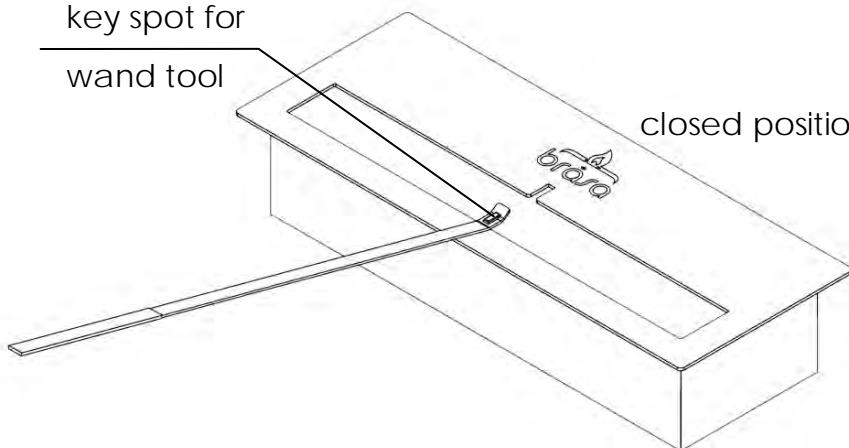
## Extinguishing the burner

open position



key spot for  
wand tool

closed position



- The burner heats up during operation. After the fire has been extinguished the burner will still be hot. Do not touch the burner for at least one hour after extinguishing.
- Only clean the product after it has fully cooled down.
- For cleaning, do not use abrasive cleaners, scrubbing powder or similar cleaners as they can damage the burner.
- To clean use a wet clean cloth. Use only water and a mild dish detergent, if needed, or wipe with bio-ethanol to remove tough tarnish stains.
- To avoid spilling, make sure there is no bio-ethanol left in the burner before cleaning.
- Before reusing the burner, make sure that all parts have been put back in the correct place.

## Further Safety Instructions

---

- If ethanol is spilled on the burner, wipe it up immediately using a soft and absorbent cloth. Wash the cloth out afterwards with clean water.
- The burner must cool down at least 30 minutes before the flame can be lit again or before it can be refueled.
- Never put bio-ethanol into an open fire. Explosion hazard.
- Never try to extinguish the flame with water. Explosion hazard.
- For safety reasons, this burner can only use bio-ethanol.
- Do not use the product if it shows visible damages. If you see damages caused by shipping please contact your dealer.
- Repairs to the burner can only be done by your dealer.
- Do not move the burner while it is burning. Moving the burner while in use could cause the bio-ethanol to spill, which could lead to a serious fire.



## Storage and Handling of Bio-ethanol

---

Bio-ethanol will be delivered in plastic bottles if supplied by brasa. They are marked with applicable regulations. Follow these regulations regarding transportation and storage. Regulations can differ depending on local laws.

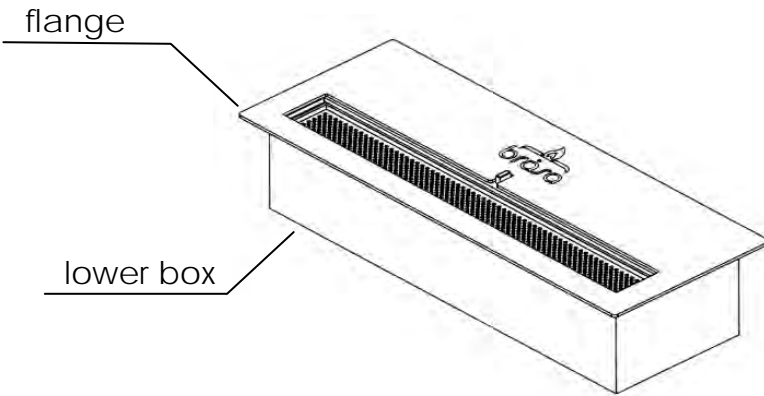
- Do not eat, drink or smoke during the filling process.
- Always store bio-ethanol in its designated canister, which must be closed at all times.
- Always store bio-ethanol in a dry and cool place and out of direct contact to sunlight and away from heat sources and open fire.
- Allowed storage quantity:
  - In your house: 20 liter max
  - In your apartment: 5 liter max
- Always store bio-ethanol out of reach of children and in a location that is childproof to prevent an unauthorized access.
- Only use bio-ethanol as directed for ventless fireplaces designed to burn bio-ethanol.
- Never pour fuel into an open flame. Check carefully that the flame is fully extinguished.
- Please read Manufacturers Safety Data Sheet (MSDS) included with the bio-ethanol prior to using product.
- Bio-ethanol is extremely flammable, both the liquid and vapor. Keep away from spark and open flames. Improper exposure can result in injury or death.
- Keep bio-ethanol tightly closed in a cool dry place.
- Use only in well ventilated areas.
- If swallowed, seek medical attention immediately and show contents of this container.
- For contact with eyes, flush immediately with cool water for 15 minutes and seek medical attention.
- For contact with skin, rinse area well with cool water. If irritation occurs, consult a physician.

**First Aid Emergency Number 24/7: 1-800-424-9300**

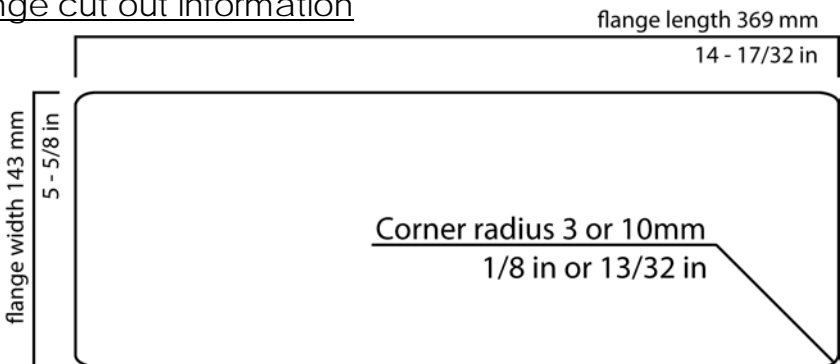
This information is for customers that are putting a slim burner insert in a custom setting. The following is the sizing and cut out information for the slim burner. The burner can be put into place with the flange sitting on top of the custom build in surface or the flange can be recessed into the custom area; performance will not be effected either way.

If you are installing your burner with the flange recessed be sure not to cut all the way through your support material, the flange needs something to sit on. Both cut out sizes are included in this manual.

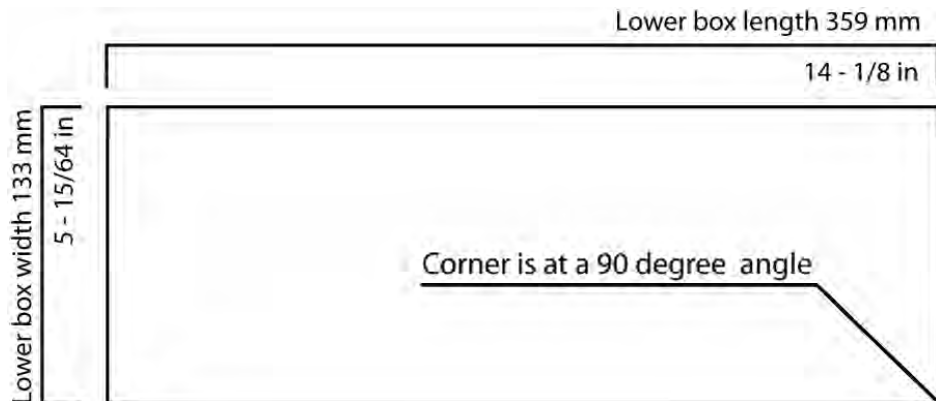
Please note that the slim burner comes in two different styles of corner radius. Please check what style you have before starting your cut out.



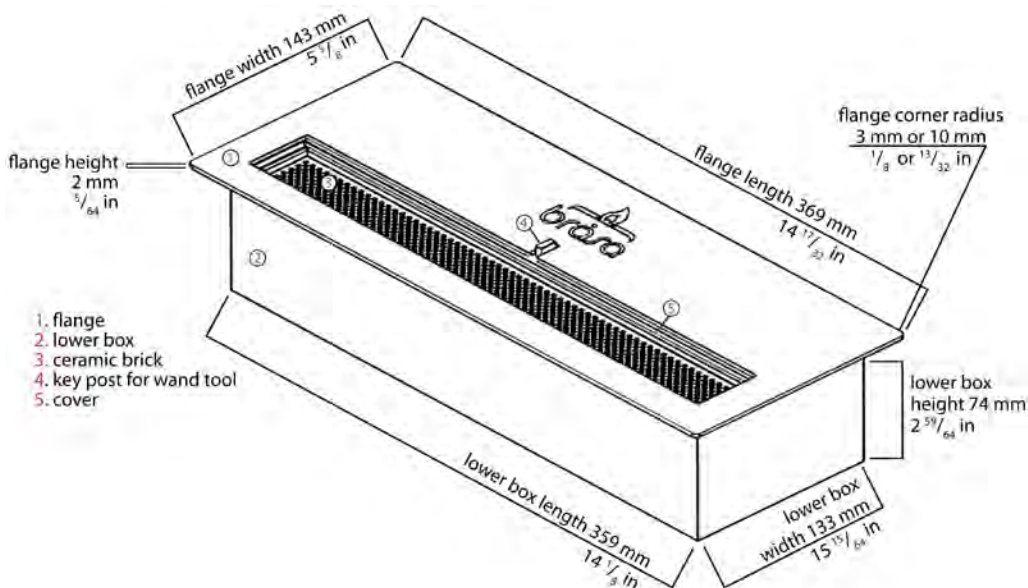
## Flange cut out information



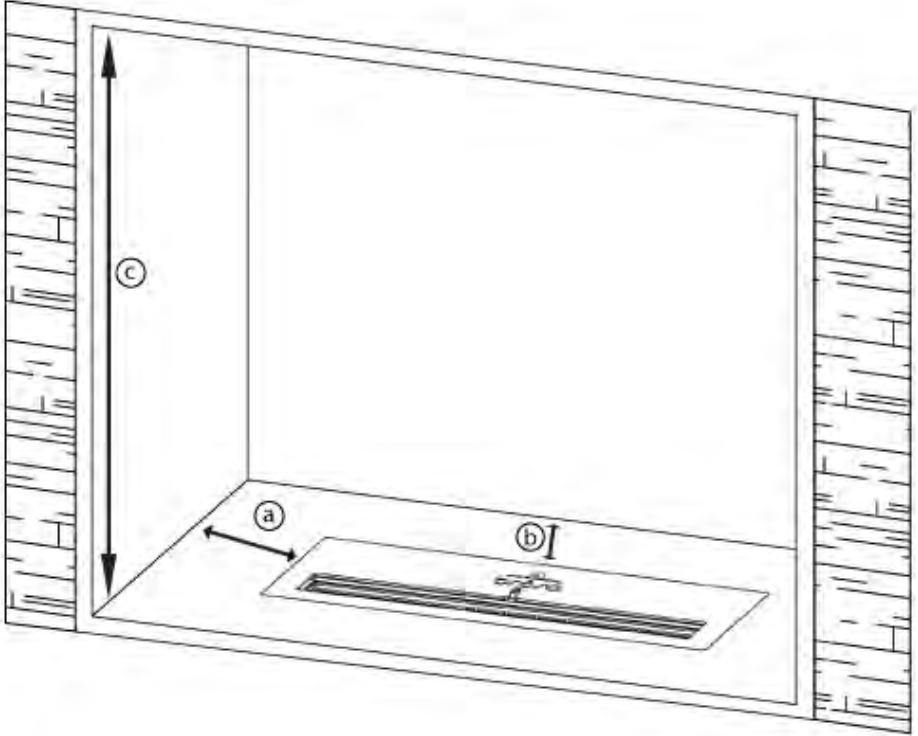
## Lower box cut out information



## Overall size information



### Recommended measurements of custom hearth



if your material is ceramic/stone or metal, use these measurements:

- a: at least 6 in or 15 cm from edge of burner to edge of interior wall
- b: at least 4 in or 10 cm from back edge of flange to edge of back interior wall
- c: at least 20 in or 50 cm total interior height of hearth

for all other types of non-flammable materials, use these measurements:

- a: at least 8 in or 20 cm from edge of burner to edge of interior wall
- b: at least 10 in or 25 cm from back edge of flange to edge of back interior wall
- c: at least 24 in or 61 cm total interior height of hearth