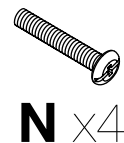
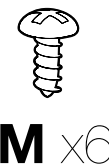
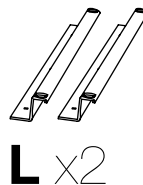
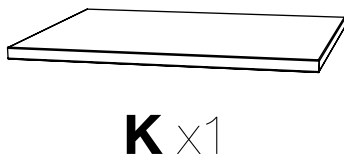
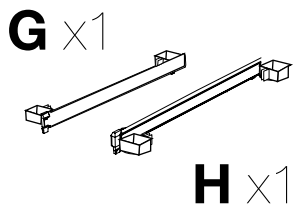


Parts List

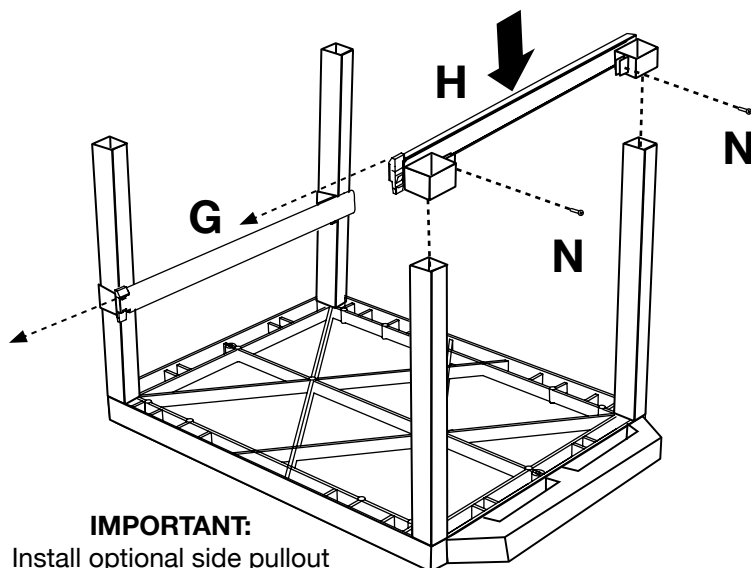
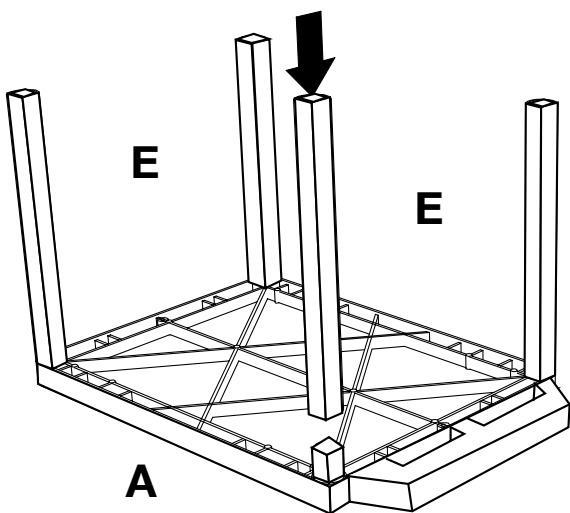
Tools Required

- Phillips Screwdriver



1 Lay the top shelf of your Tuffy cart upside down and install the four legs intended for this shelf.

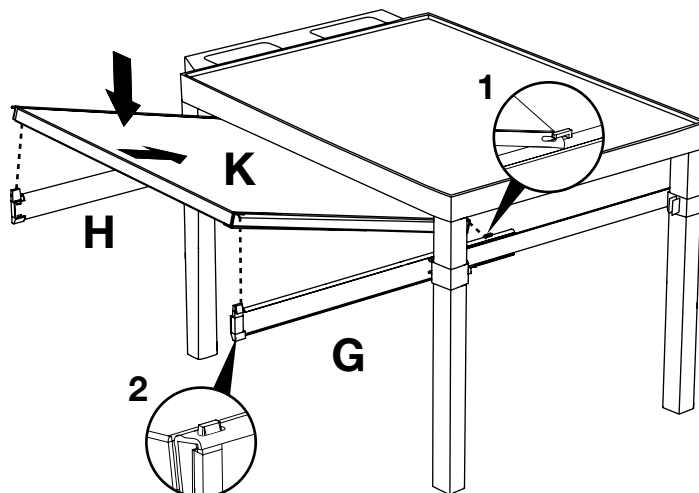
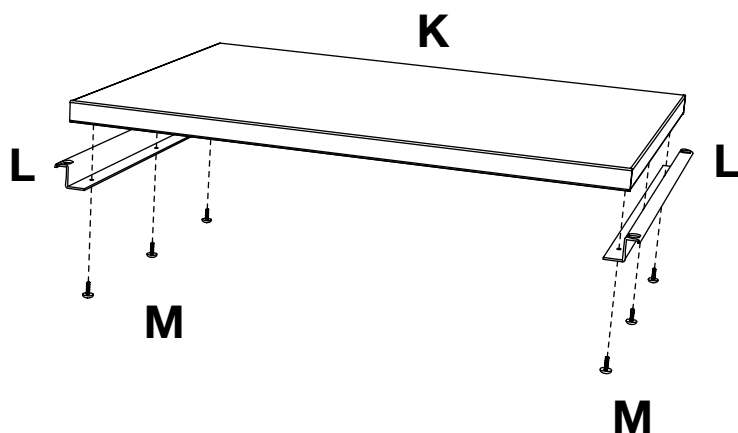
2 Slide and align runner **H & G** onto the legs and tighten screw **N** with a screwdriver.



IMPORTANT:
Install optional side pullout shelf **AFTER** step 2

3 Take pullout shelf **K** and bracket **L** and screw together into the unfinished surface of shelf **K** with screw **M**.

4 Mount pullout shelf **K** to runner **H & G** so that the edge of the shelf snaps into the runner hooks.



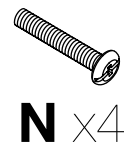
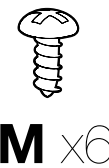
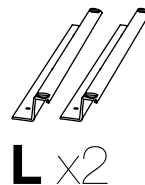
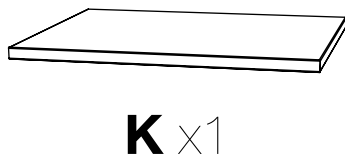
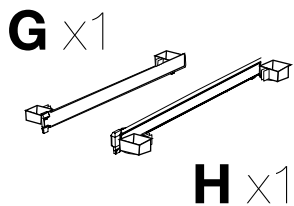
You have now completed your pullout shelf.

www.luxorfurn.com
www.hwilson.com

Parts List

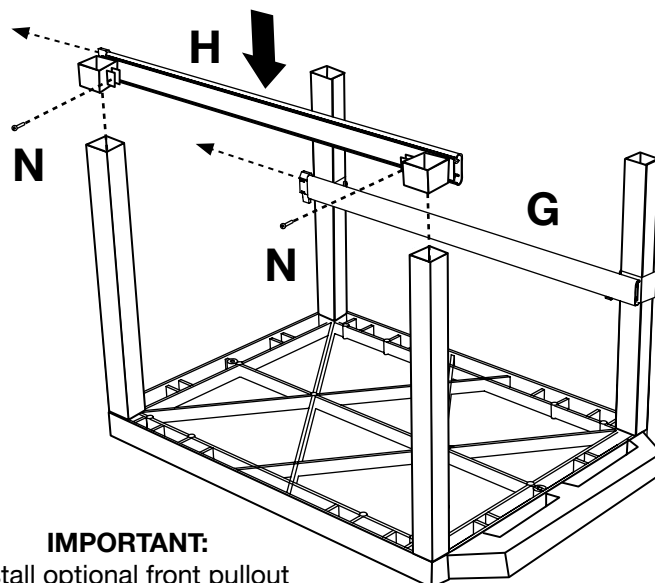
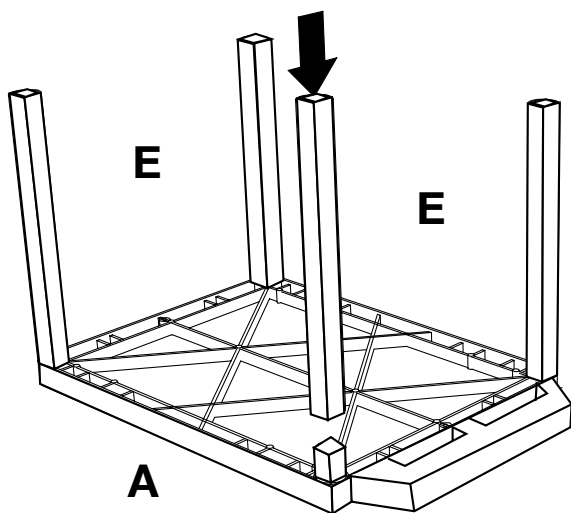
Tools Required

- Phillips Screwdriver



1 Lay the top shelf of your Tuffy cart upside down and install the four legs intended for this shelf.

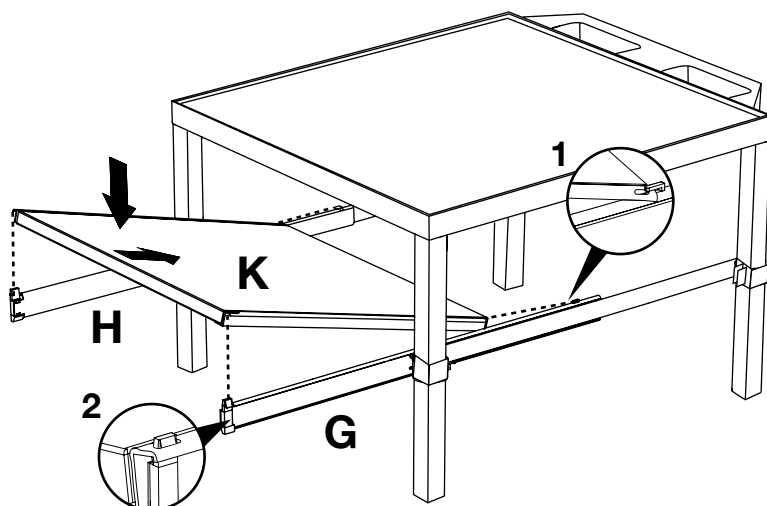
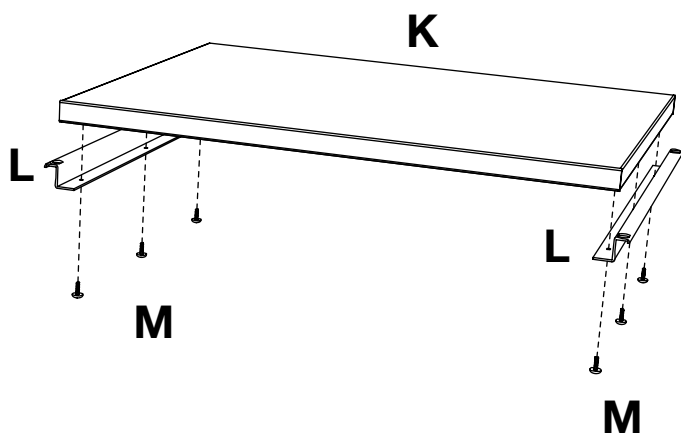
2 Slide and align runner **H** & **G** onto the legs and tighten screw **N** with a screwdriver.



IMPORTANT:
Install optional front pullout shelf **BEFORE** step 2

3 Take pullout shelf **K** and bracket **L** and screw together into the unfinished surface of shelf **K** with screw **M**.

4 Mount pullout shelf **K** to runner **H** & **G** so that the edge of the shelf snaps into the runner hooks.



You have now completed your pullout shelf.

www.luxorfurn.com
www.hwilson.com

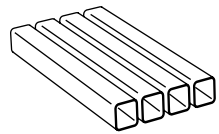
Parts List

Tools Required

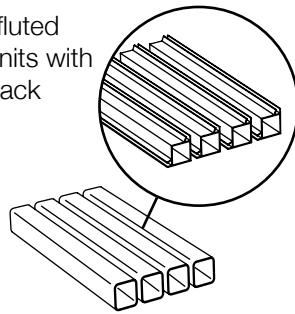
- Rubber Mallet

NOTICE:
Leg lengths may vary by model

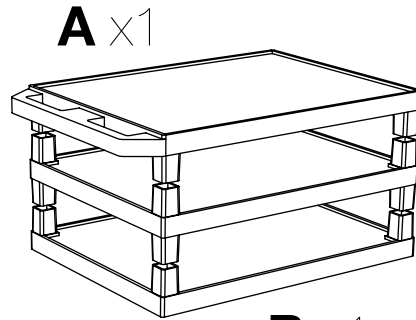
Optional fluted legs for units with cabinet pack



E x4

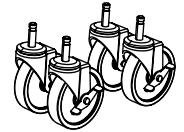


F x4



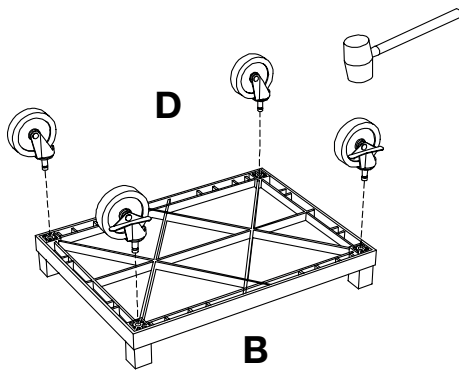
B x1

C x1



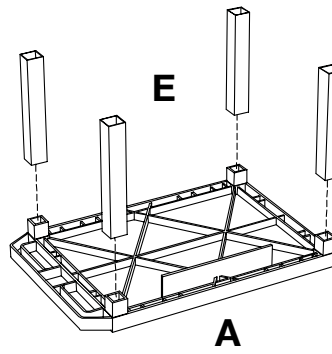
D x4

1

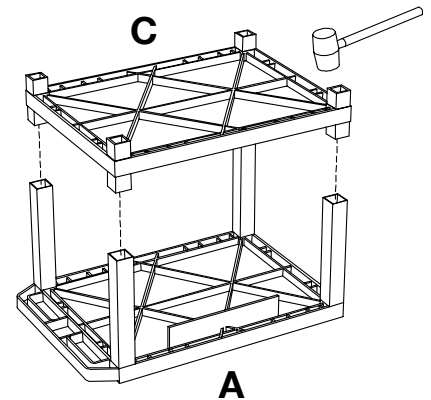


2

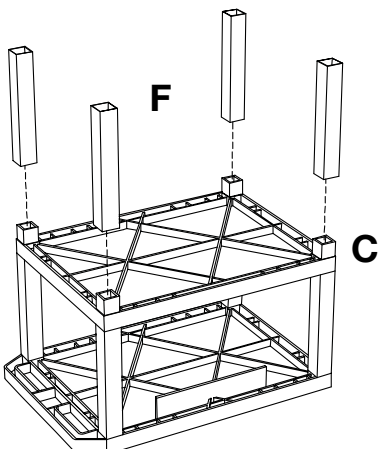
Install optional cabinet pack / pullout shelf / locking drawer assembly after step 1



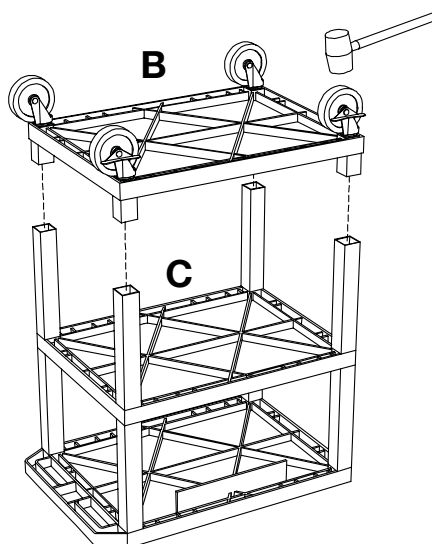
3



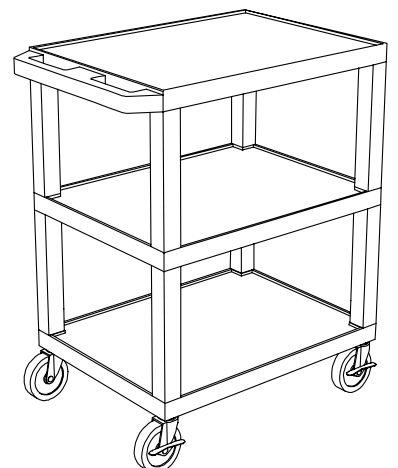
4



5



6

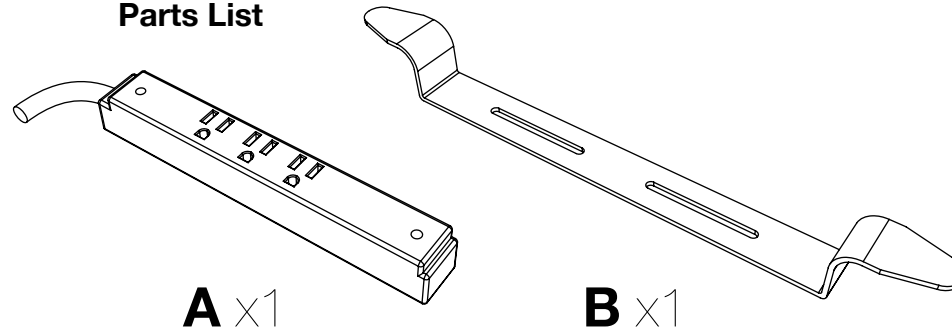


www.luxorfurn.com
www.hwilson.com

Electric Assembly Instructions

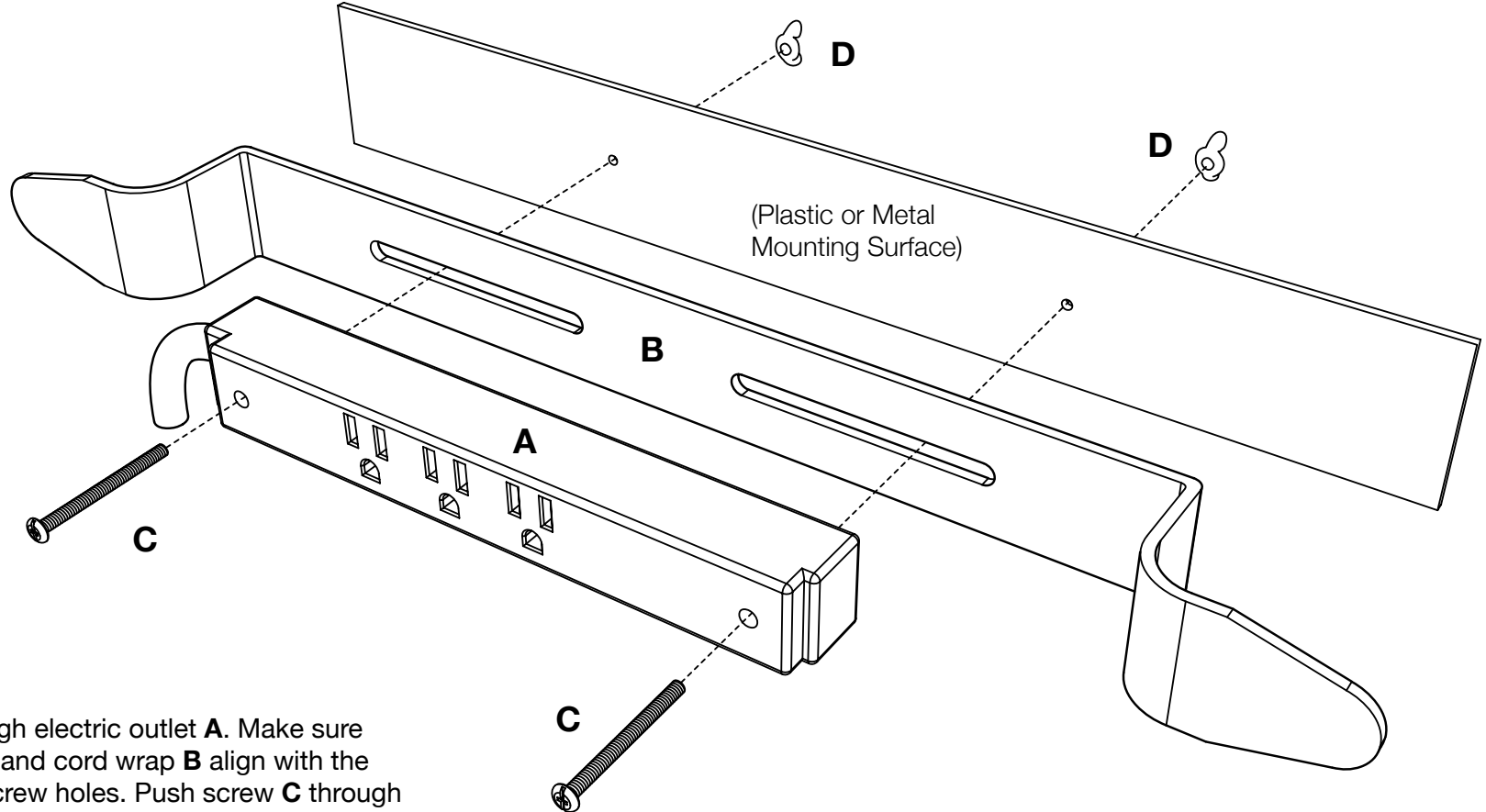
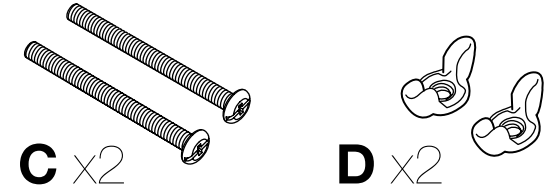
Number of outlets
may vary.

Parts List



Tools Required

- Screwdriver



1

Push screw **C** through electric outlet **A**. Make sure the electric outlet **A** and cord wrap **B** align with the mounting surface screw holes. Push screw **C** through cord wrap **B** and the mounting surface screw holes. Use wing nut **D** and screwdriver to fasten.