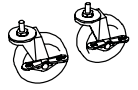
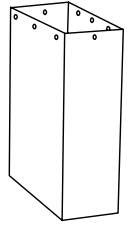
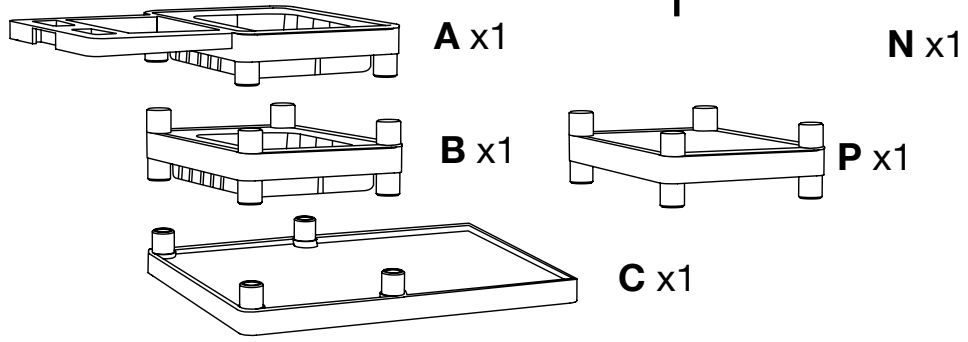
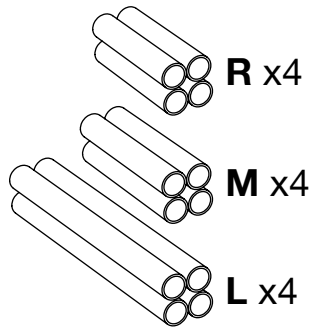


www.luxorfurn.com
www.hwilson.com

Parts List

Tools Required

- Rubber Mallet



E x2

1 **IMPORTANT:** Install big wheel assembly before step 1. Flip shelf **C**, and lock the 2 locking casters **E** before assembling the unit.

