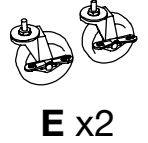
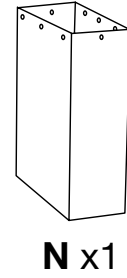
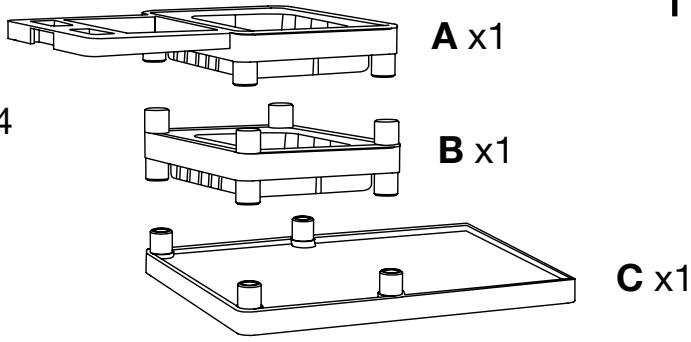
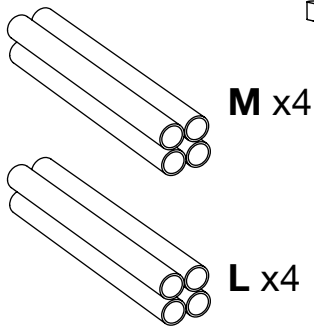


www.luxorfurn.com
www.hwilson.com

Parts List

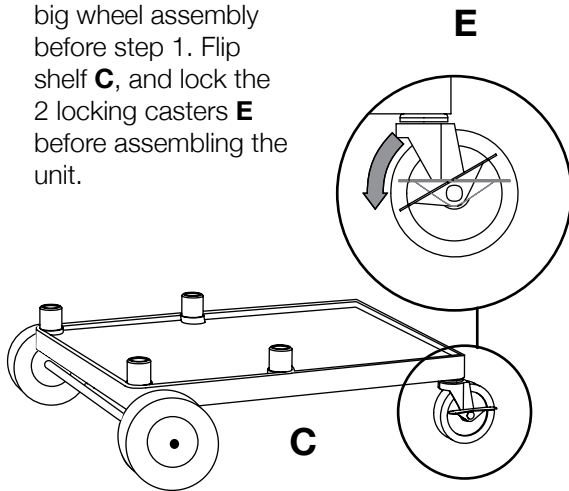
Tools Required

- Rubber Mallet

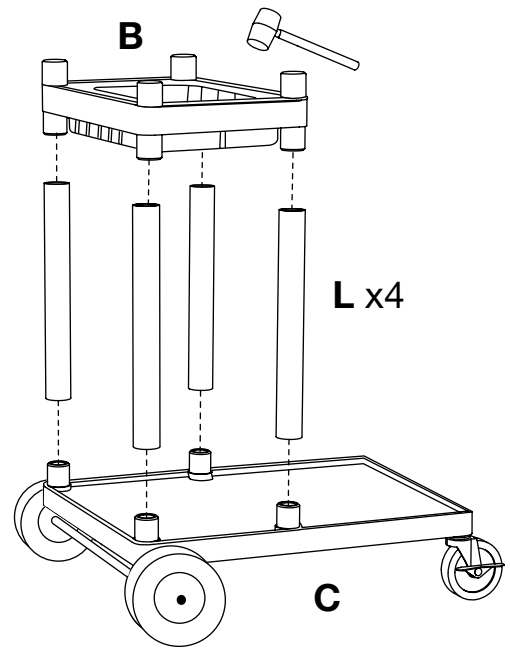


1

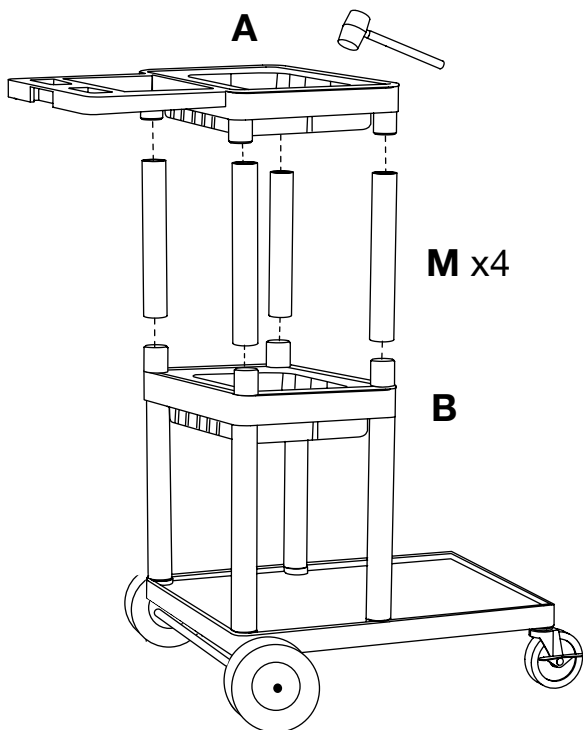
IMPORTANT: Install big wheel assembly before step 1. Flip shelf **C**, and lock the 2 locking casters **E** before assembling the unit.



2



3



4

