

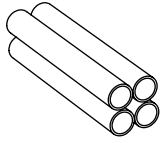
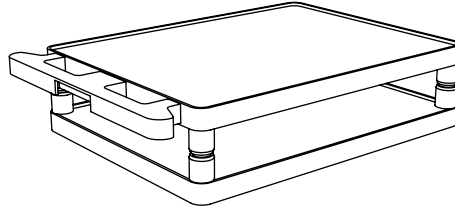
www.luxorfurn.com
www.hwilson.com

Parts List

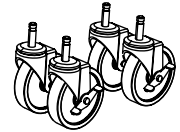
Tools Required

- Rubber Mallet

A x1



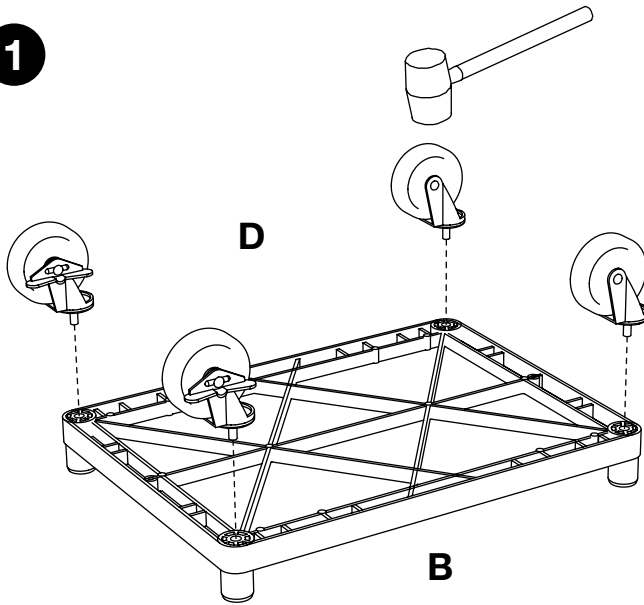
E x4



D x4

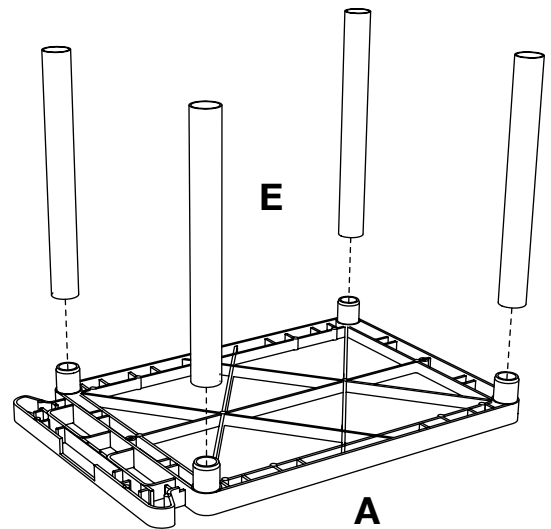
B x1

1

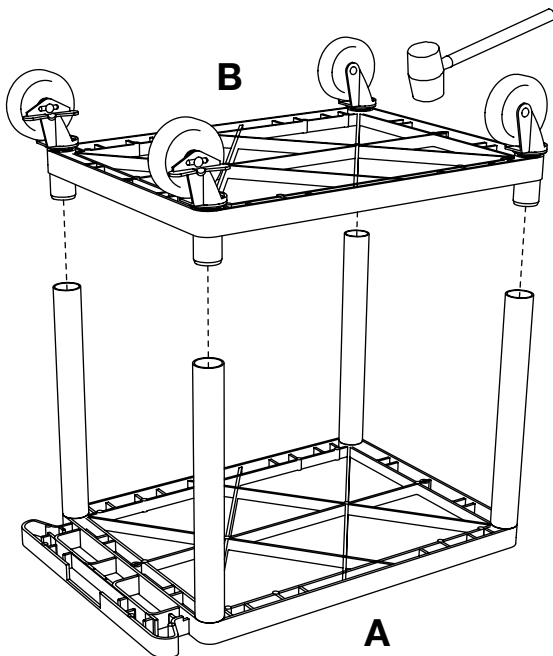


2

Install optional cabinet pack / pullout shelf / electrical assembly after step 1



3



4

