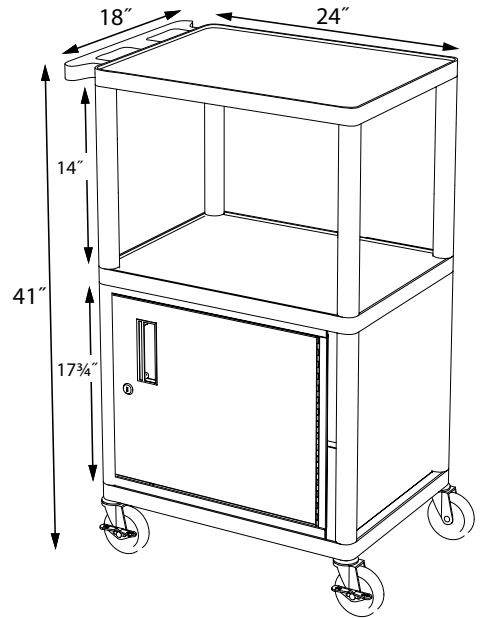


# Endura® Presentation Stations



**LE42C**  
24"W x 18"D x 41"H



3-Outlet surge suppressing electric assembly with 15' cord



Sure grip pads for top shelf prevent equipment from sliding



**LE42**  
24"W x 18"D x 41"H



**LEF34-B**  
24"W x 18"D x 34"H