

Adjustable Height A/V Carts

Available in 5 Colors:

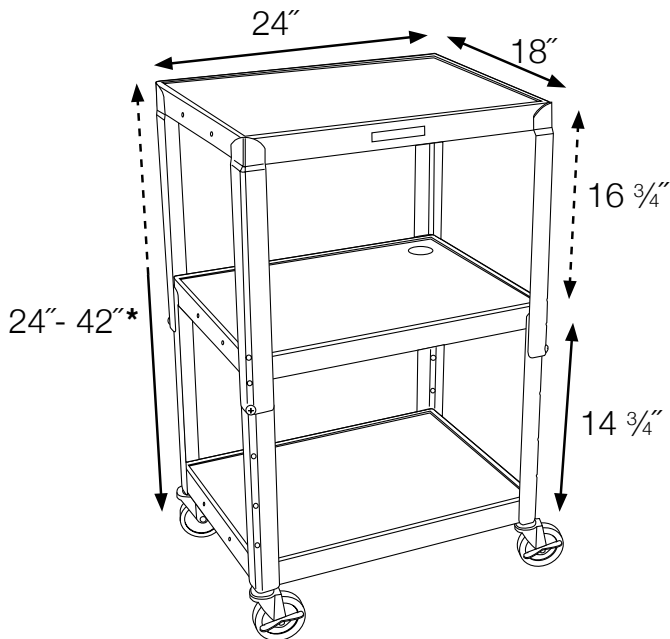


Features:

- Roll formed shelves with powder coat paint finish
- Cable pass through holes in top and middle shelf
- 4" ball bearing casters, two with locking brake
- 1/4" retaining lip around each shelf
- Cabinet models have locking doors with full length piano hinges
- No slip rubber mat for top shelf
- 3-Outlet, surge suppressing electric assembly With 15' Cord, UL and CSA listed

Color Options:

Black	Gray LG	Red RD	Burgundy BY	Blue RB
--------------	-------------------	------------------	-----------------------	-------------------



* - in 2" increments



AVJ42

Available in 11 Colors:



Color Options:	Black	Gray LG	Red RD	Burgundy BY	Blue RB
	Yellow YW	Nickel CH	Putty OW	Green GN	Purple P
					Navy Z

To specify which unit color is ordered, replace ★ in this example product number with available color option of choice:
AVJ42-★