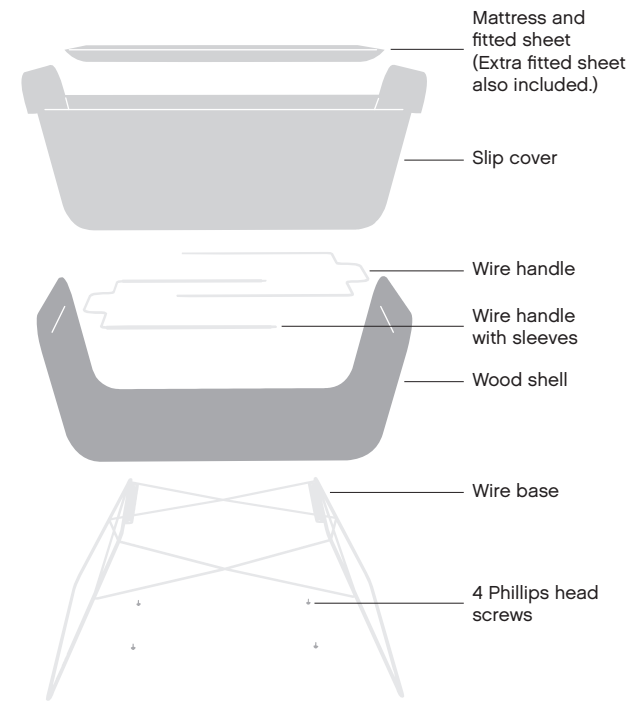




Nest Bassinet Assembly Instructions

Offi Nest Bassinet

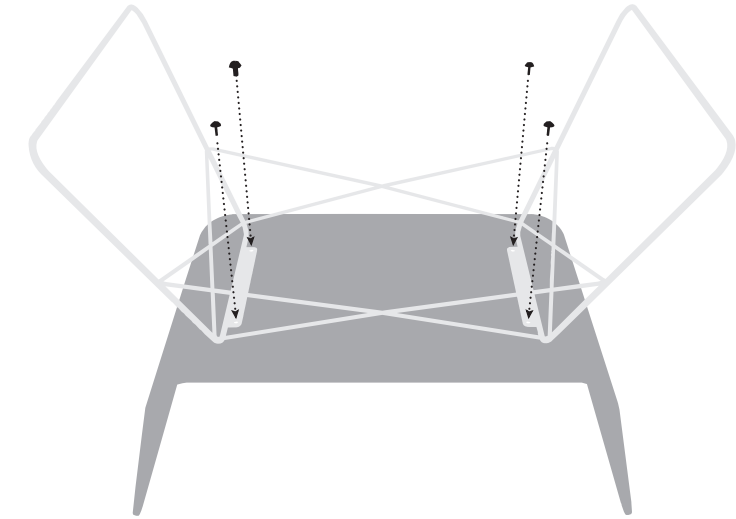
Please identify all included parts.



Step 1.

Invert wood shell and wire base.

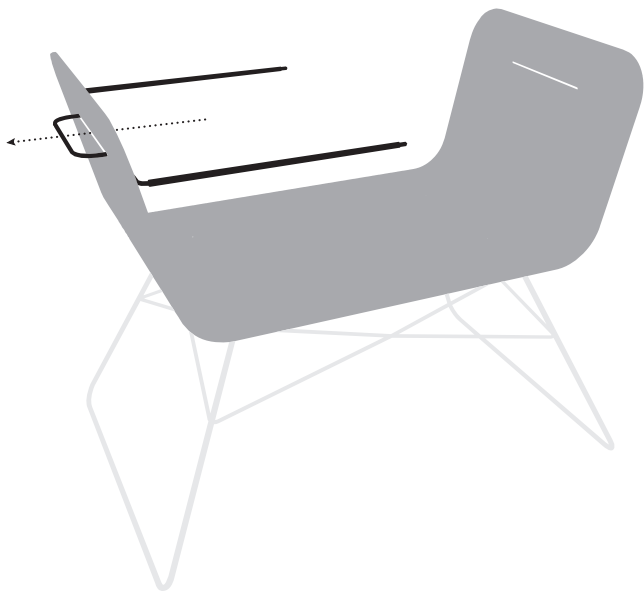
Place base on shell and line up screw holes. Use the included 4 Phillips head screws to fasten together.



Step 2.

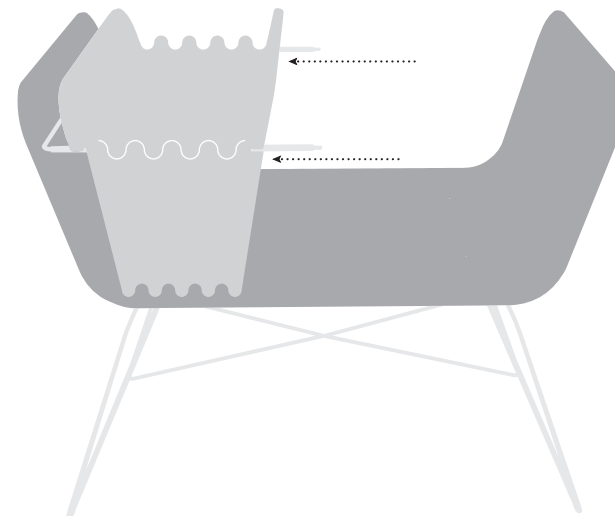
Flip Bassinet right side up.

Insert wire handle with metal sleeves into one of the two slots in wood shell. Press into slot until shoulders of wire touch shell.



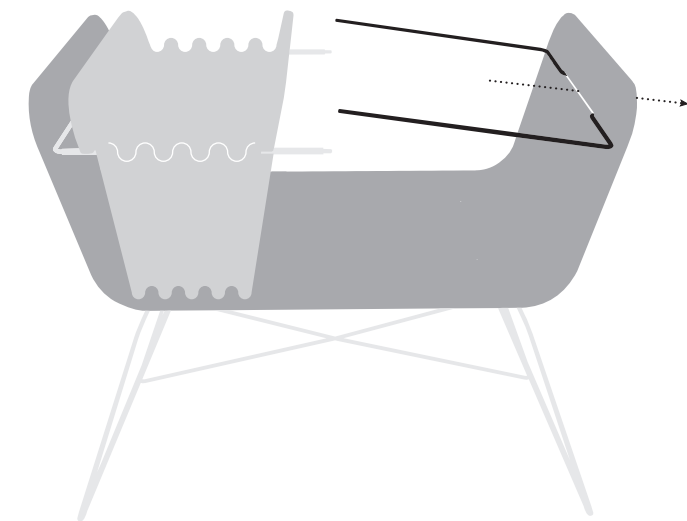
Step 3.

Slide sleeves of slip cover over metal sleeves. Bunch fabric until ends of metal sleeves show.



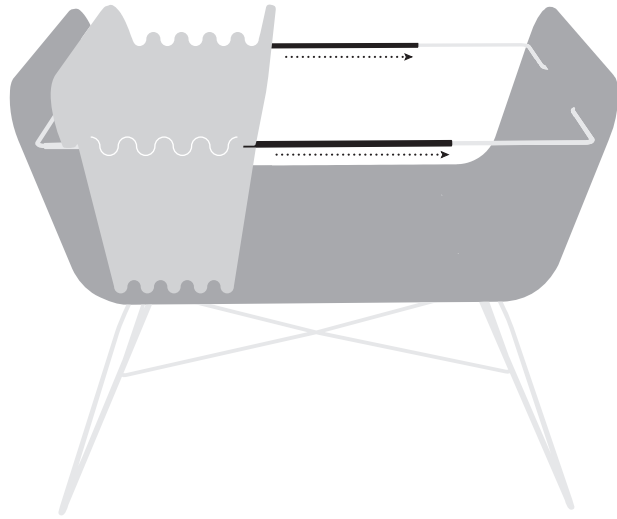
Step 4.

Insert other wire handle into opposite slot in wood shell. Press into place.



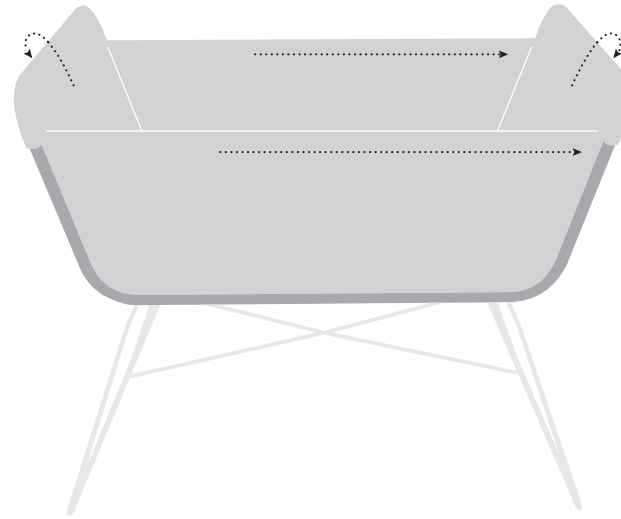
Step 5.

Line up ends of wire arms and wire sleeves and slide the sleeves over the opposite arms until centered on assembly.



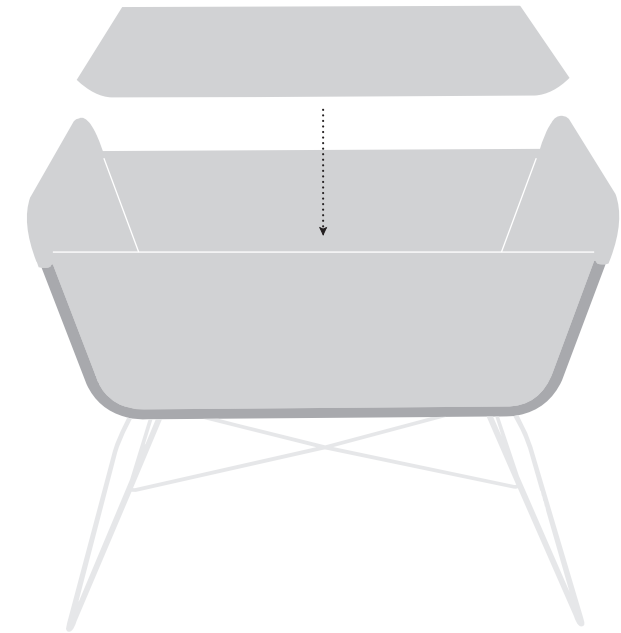
Step 6.

Then spread slip cover across to the opposite end. Place fabric headboard and footboard pockets over wood shell as shown.



Step 7.

Assembly complete. Place mattress in bassinet, and cover with fitted sheet.



⚠ WARNING ⚠

FAILURE TO FOLLOW THESE WARNINGS AND INSTRUCTIONS COULD RESULT IN SERIOUS INJURY OR DEATH:

- **FALL HAZARD:** To help prevent falls, do not use this product when the infant begins to push up on hands and knees or is 4 months old or weighs 20 lbs. (9.1kg) whichever comes first.
- **STRINGS CAN CAUSE STRANGULATION!** Do not place items with a string around a child's neck, such as hood strings or pacifier cords. **DO NOT** suspend strings over a crib or attach strings to toys. **DO NOT** allow strings to hang into bassinet, including blind cords, suspended toys other than what is provided with this product.
- **AVOID SUFFOCATION HAZARDS:** Use **ONLY** bassinet pad and sheets provided by Offi. If you choose to ignore this warning, you must use a sheet designed to fit the dimensions of this bassinet mattress. Make sure the sheet securely tucks at least 2" (5 cm.) under the bassinet pad on all sides to prevent entanglement.
- **NEVER USE** additional mattresses, pillows, comforters, padding or sheets.

⚠ WARNING ⚠

- Infants can suffocate in gaps between an extra pad and side of the bassinet/crible and on soft bedding.
- **DO NOT** place more than one infant in bassinet.
- **DO NOT** carry or move bassinet with child in it.
- **DO NOT** use in motor or recreational vehicle.
- **NEVER** use near stairs or steps.
- To reduce the risk of SIDS, pediatricians recommend healthy infants be placed on their backs to sleep, unless otherwise advised by your physician.
- **ALWAYS** provide the supervision necessary for the continued safety of your child. When infant is not sleeping, **NEVER** leave child unattended.
- Accidents can happen quickly, so check your child frequently.
- Discontinue use of bassinet if parts are missing, damaged, or broken. Contact Offi for replacement parts. **DO NOT** substitute parts.

If you are without an instruction sheet, **DO NOT** use this product. Please call 1-800-958-6334 to receive an instruction sheet.

Maintenance and Cleaning:

Please use the following maintenance and cleaning instructions to care for your Offi Nest Bassinet:

- **Mattress cover:** Wipe with a damp cloth. Air dry only. Do not machine wash or use hot iron.
- **Fitted sheets:** Wash before using. Machine wash warm. Use only non-chlorine bleach when needed. Tumble dry medium.
- **Slip cover:** Dry clean only.
- **Chrome handles and base:** Wipe with a damp cloth.
- **Wood shell:** Wipe with a damp cloth.

Note: Each Offi Nest Bassinet is a unique and beautiful piece made of bent plywood with rich and high quality wood veneers. Because the bassinet is made of real wood veneers, there will occasionally be natural marking, miniscule burls or slight colorations (mineral spotting). Although Offi does its best through diligent and trained quality control measures to screen out and minimize these natural characteristics, these inherent characteristics of wood vary and are not considered defects by Offi. Because of this, merchandise will be considered normal and of good quality and will not be replaced because of these natural characteristics.