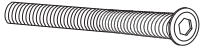




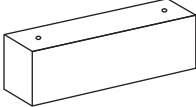
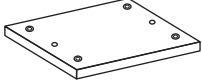
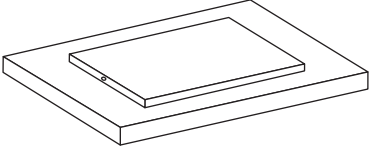
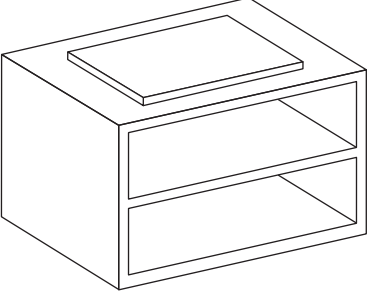
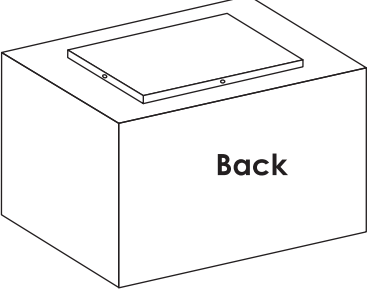


Double Bookcase Hardware and Tools List

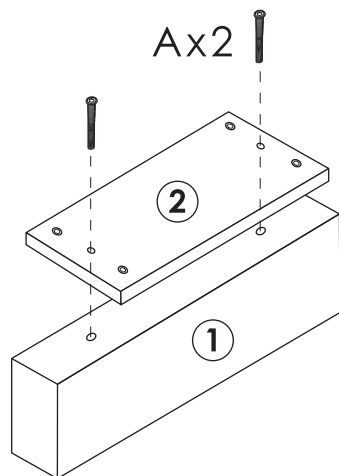
Hardware	Ref.No	Description
	Ax12	Screw (35mm)
	Bx6	Dowel (60mm)
	Cx4	Bracket
	Dx16	Screw
	Ex1	Wrench

Please note that screw D requires a Phillips Head Screw driver which is not provided

Double Bookcase Bookcase Parts List

Parts	Ref.No	Description
	① x 2	Leg
	② x 2	Board
	③ x 1	Platform
	④ x 1	Top Cube
	⑤ x 1	Bottom Cube

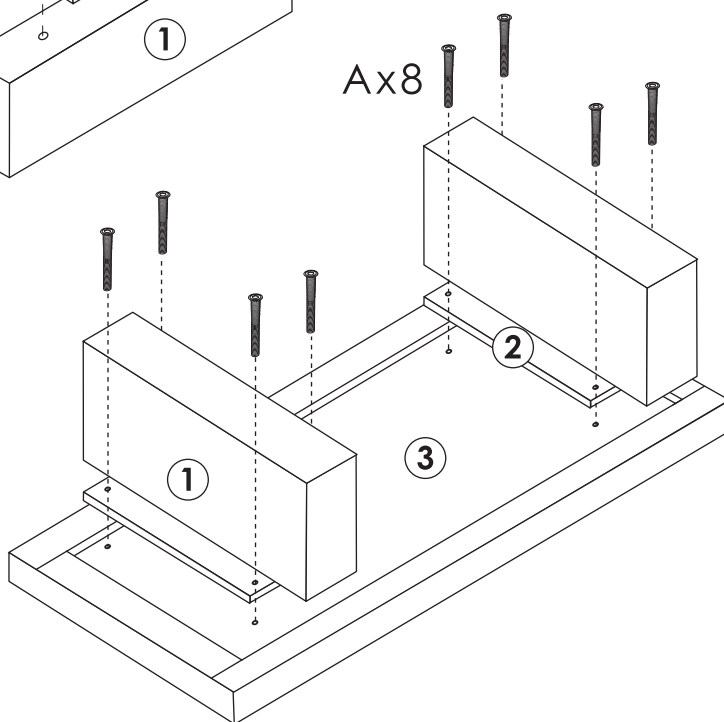
Double Bookcase Assembly Instructions



Step 1

Affix Board ② to leg ① by inserting screw **A** into the middle hole of the board and into the pre-drilled hole of the leg. Then tighten the screw with wrench **E**.

Repeat the process for both legs.

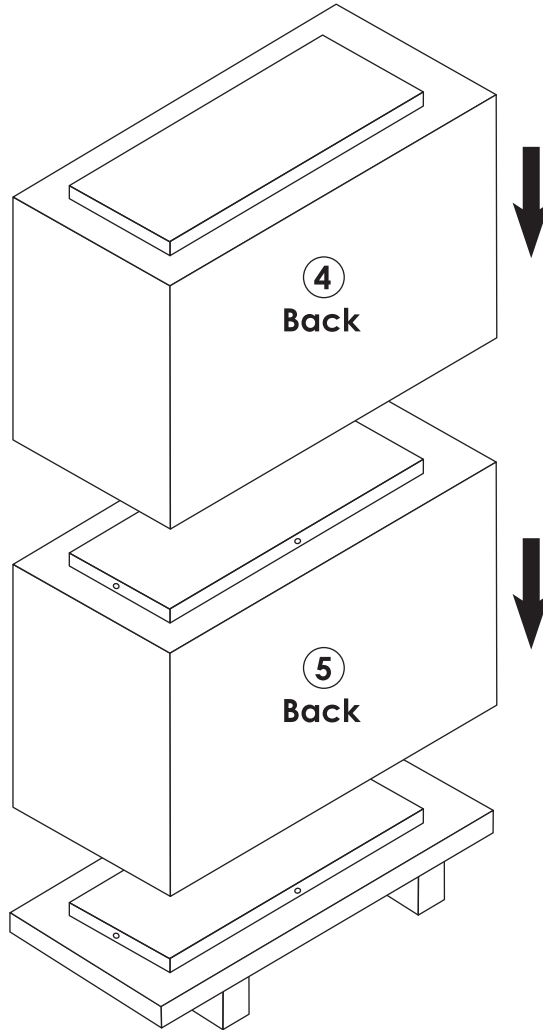


Step 2

Turnover the platform ③ and insert screw **A** into the holes of Board ② and the pre-installed nut into the platform ③. Repeat the process for all 8 holes for both Boards.

Double Bookcase Assembly Instructions

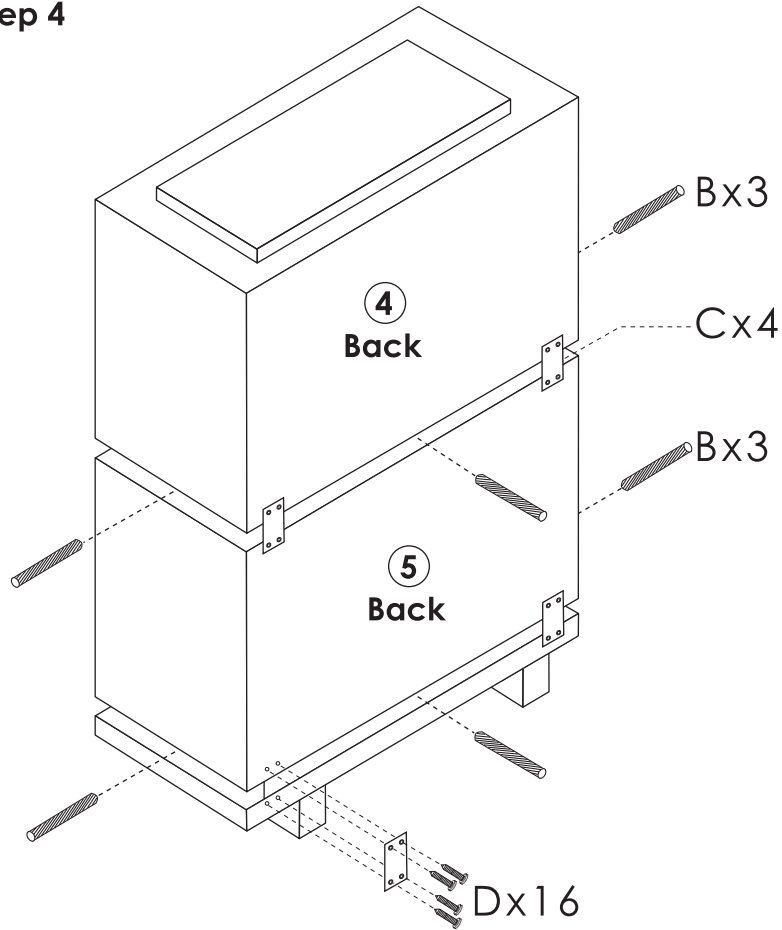
Step 3



With platform upright, place bookcase ④ and ⑤ on the platform, setting it onto the board as picture indicates.

Double Bookcase Assembly Instructions

Step 4



To connect the bookcase to the platform, insert dowel **B** into the holes on both sides and the **Back** as picture indicates, lining up the small screw holes on the back. Identify the 2 **C** brackets, and screw the bracket into the holes with **D** screws. Tighten with a Phillips Head screwdriver, locking bottom bookcase on top of platform.

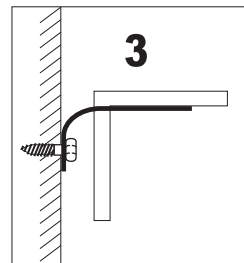
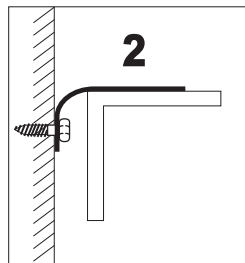
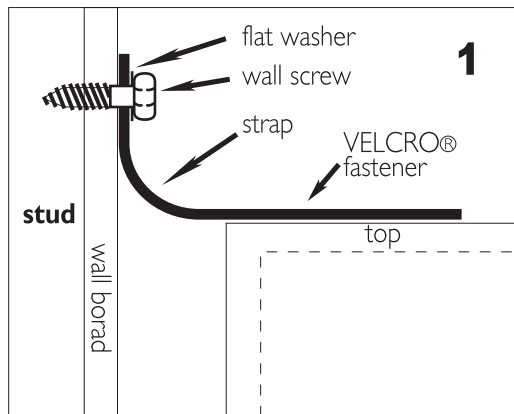
To connect top bookcase with bottom bookcase, repeat the above exercise.

Furniture Strap

Kit Contents:

- 2 Furniture Straps 1" x 18"
- 2 Wall Screws
- 2 Flat Washers
- 4 Furniture Screws

3 Great Choices For Peel and Press to Furniture



Strap Hidden From View