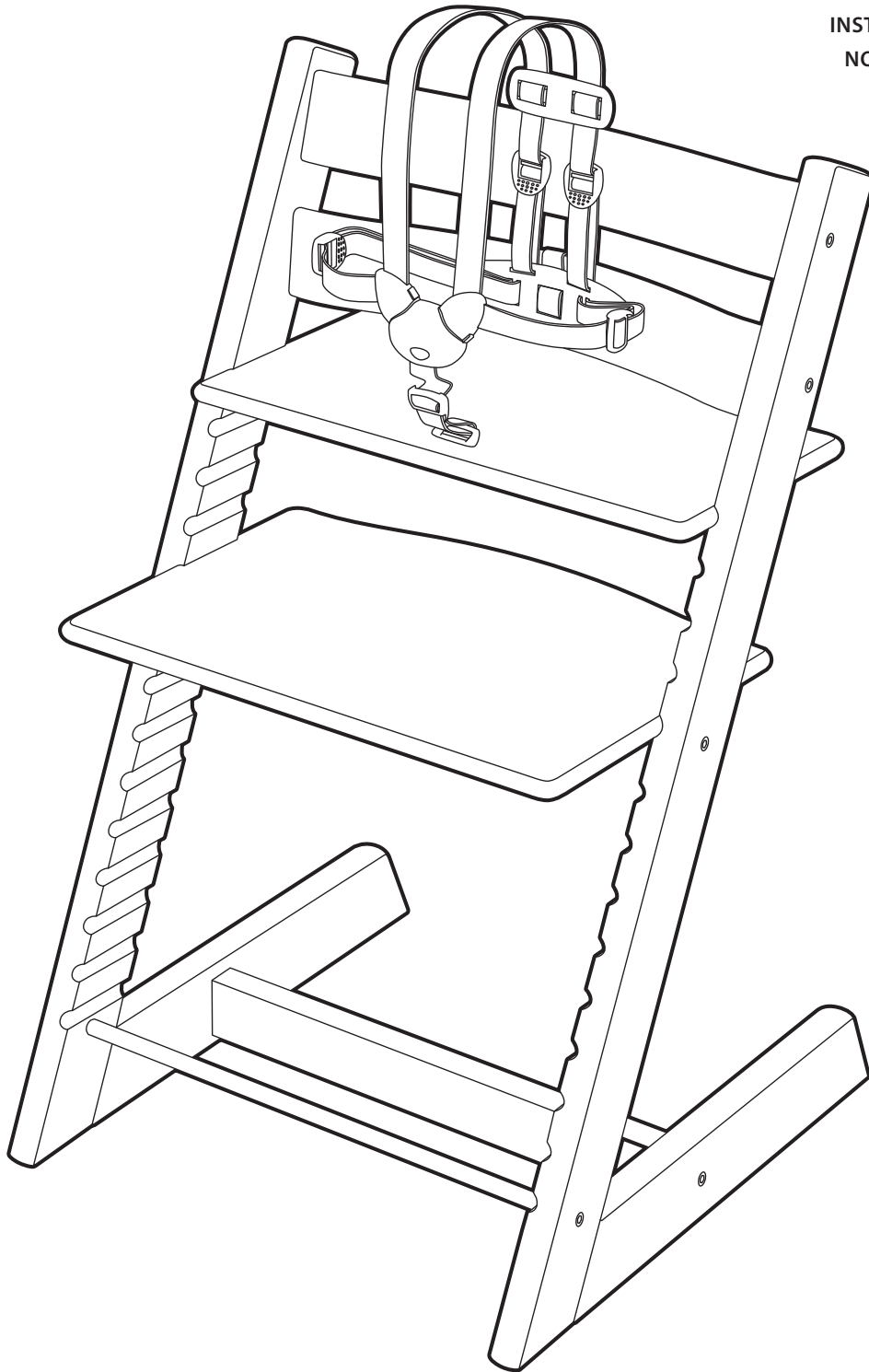


## TRIPP TRAPP®

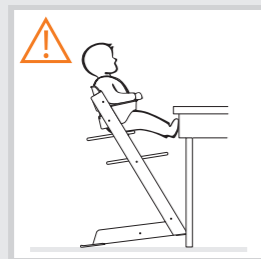


USER GUIDE	2	US
INSTRUCCIONES DE USO	5	ES
NOTICE D'UTILISATION	8	FR



# ⚠️ WARNING! Prevent serious injury or death from falls or sliding out

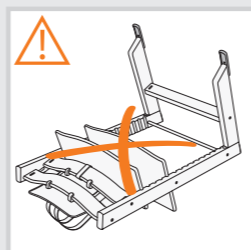
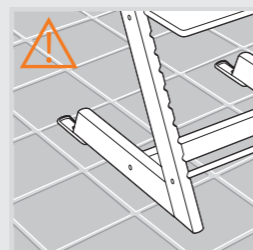
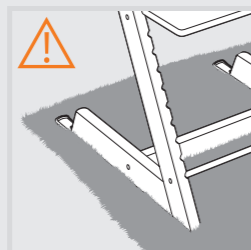
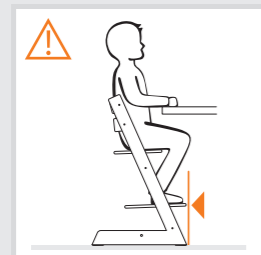
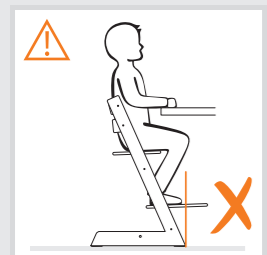
- Never leave child unattended
- The Tripp Trapp® Baby Set™ should only be used with the seat plate in the first groove from the top of the chair.
- Always use the restraint system when the seat is in one of the top 3 grooves
- Always keep child in view
- Stay in reach of your child.
- Do not use the chair unless all components are correctly fitted and adjusted. Pay special attention to the seat and foot plate – make sure these are properly fastened before you put your child into the chair.
- Do not place the chair near an open fire or other sources of strong heat, such as electric bar fires, gas fires etc due to the risk of fire.
- Do not use the chair if any part is broken, torn or missing.
- Do not use the chair before the child can sit up by itself.
- Always place the chair on a level stable surface and make sure that the chair has space to slide backwards.
- Be careful not to place small items, toxic substances, hot objects, and electrical flexes etc near the chair where your child can reach them, as they may cause choking, poisoning or other injuries.
- Remember to retighten all screws 2-3 weeks after assembly of the chair. After that you should check on and retighten the screws if necessary on a regular basis, e.g. every second month. Keep the Allen key for future use, but out of the child's reach.
- Do not use any accessories or replacement parts not manufactured by STOKKE®; this may affect your child's safety.
- Do not use the chair as a step stool.
- Do not use with a booster seat
- The child should be secured in the chair at all times by the restraining system
- TRIPP TRAPP® is intended for use when your child is capable of sitting upright unassisted (approximately 6 months)
- Front of footrest not to exceed front legs of chair at floor level
- NEVER use the Tripp Trapp® chair without any glider.



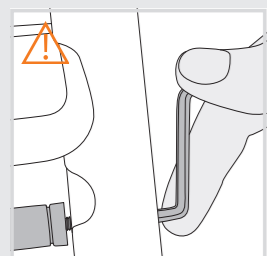
**◀ Table**  
Be aware of the risk that a big frame under the table top makes it easier for children to push their legs against the table and tilt backwards. Also note that Tripp Trapp® is designed for dining tables 28-30" (72-76cm) high.

**▼ Warning**  
NEVER let your child play around the Tripp Trapp® chair if it is not in the intended position for use.

**▼ Footrest**  
Make sure the forward edge of the footrest NEVER exceeds the front tip of the chair legs at floor level. This may cause the chair to be unstable when a child climbs in and out of the Tripp Trapp® chair.



**▲ Rough surfaces (uneven floors), for instance rugs and tiles**  
To prevent the Tripp Trapp® chair from tilting when pushed backwards, it has plastic gliders underneath the legs. Their function is to enable the chair to slide backwards and return to an upright position when pushed backwards. To make sure that the gliders function as intended, the chair should be placed on a surface enabling the chair to slide backwards. Thus, the surface should be level, stable and with a certain hardness. Uneven and/or rough surfaces, for instance some tiled floors, and rugs/carpets that are soft or with long loose ends, are generally unsuitable for chairs used by toddlers. Although the Tripp Trapp® chair is recognized for its stability, these conditions also apply here. The gliders as well as the floor must be kept clean. To further increase the backward stability of the Tripp Trapp® high chair, a replaceable, extended rear glider ("Extended Glider") has been developed for the Tripp Trapp® high chair. For the period when the chair is used with a harness or the Tripp Trapp® Baby Set, we recommend that you always use it with the Tripp Trapp® Extended Glider. The Tripp Trapp® Extended Glider has two different positions (see picture at the back of this user guide). We recommend that you always use it with the Extended Glider in the rear position. This is especially important if the chair is placed on a soft carpet and/or at a table where the child can push against a frame underneath the tabletop with its feet.



**◀ Warning**  
When the footrest is positioned close to the metal rod, there will be a small gap between the inside of the chair legs and the metal rod. This is perfectly normal. Never try to

use excessive force to make the metal rod touch the side legs of the chair as this can cause damage to the chair and/or make it unstable.

**READ CAREFULLY BEFORE ASSEMBLING YOUR TRIPP TRAPP® CHAIR.**  
On the fold out page of this user guide you will find pictures that describe the assembly of your Tripp Trapp® chair and Tripp Trapp® Baby Set. The Baby Set should only be used with the seat plate in the first groove from top of the chair.

**Parts**  
10 Metal screws • 6 Metal nuts • 1 Allen Key • 2 Curved backrests  
2 Metal cross bars • 1 Wooden base cross bar • 1 Seat • 1 Footrest • 2 Legs

1. Attach the base cross bar to the legs (grooves face inside). Important to insert the shallow end of nut first!
2. Insert screws and tighten firmly.
3. Attach the two metal crossbars and tighten loosely
4. Attach the two curved backrests. Insert metal nut with shallow end first and tighten loosely. NOTE: Backrest with strap goes into bottom slots.
5. Slide seat and footrest into slots, with straight edge facing forward. Make sure the height and depth of the seat and footrest suit the size of your child (see instructions for seat and footrest adjustments in this user guide).
6. Place the chair on a level surface. Finally tighten all screws firmly in the order given.

**SEAT AND FOOTREST ADJUSTMENT**  
It is important to adjust the depth and height of the seat and footrest to fit the size of your child. See illustrations on the fold out page, and description below. The settings of the seat and footrest should be checked as the child grows – at least once a year!  
The seat plate and the footrest must be supported by the full length of the grooves on the sides (not half way supported).

**Seat placement**  
Height – The seat is set at the correct height when your child's elbows are level with the table top.  
Depth – For correct depth of the seat, position the child's back against the backrest with the seat supporting ¾ of the thighs. For the child's best comfort it is important that the seat depth is not too deep. Leave comfortable space between the front edge of the seat and back of the child's knee.  
For a child 6-8 months it may amaze you how small seat they actually need! The seat plate should not protrude more than 1½-2" (4-5cm) in front of the chair side legs.

**Footrest placement**  
Height – The footrest is set at the correct height when the sole of the child's foot can rest flat on the footrest, while the thighs are touching the seat.  
Depth – Make sure the forward edge of the footrest NEVER exceeds the front tip of the chair legs at floor level

**Table of age and approximate adjustment**  
This table is a rough guide for the height adjustment of seat and footrest according to the age of your child. Child differ in size according to age, so always make sure that your child is seated correctly according to the instructions given in this user guide.

AGE	SEAT	FOOTREST
6 months	1	5
1 1/2 year	2	6
3 year	2	8
7 year	3	11
10 year	4	14
Teen/ Adult	n.a.	4-5*

\*) Use footrest as seat. Therefore seat is not applicable.

**RESTRAINT SYSTEM OPERATION**  
Always use the restraint system when the seat is in the 1st, 2nd or 3rd grooves from the top. Place child in seat. Pull each arm through the loop formed by the shoulder and waist strap, and place in child's lap. Crotch strap comes up between child's legs. Attach each shoulder strap to the crotch strap. Adjust length of shoulder, waist and crotch strap to restrain child in seat. Crotch strap length should be adjusted so that connector is at waist height.  
The restraint system can be removed when your child has reached the age of 36 months AND is able to sit safely on TRIPP TRAPP®. Use a tool to remove the clip under the seat plate to detach the crotch strap. Use a screwdriver to detach the rest of the harness from the backrest.

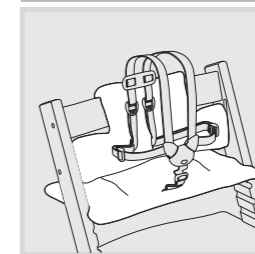
**Tripp Trapp® Extended Glider: How to assembly**  
1. Place your Tripp Trapp® chair upside down on a table. Put a piece of cardboard underneath to protect your table.  
2. Remove the original, short rear glider and dispose of it. This glider will not be usable any more. Short replacement gliders (for the period subsequent to the Extended Glider period) are included in this glider set.  
3. Place the brass insert in the hole shown on the picture. NOTE! If you place the brass insert in the wrong hole, the Extended Glider will not function as intended.  
4. Assemble the Tripp Trapp® Extended Glider to the Tripp Trapp® chair, in the rear position. The rear position ensures maximum extended functionality of the glider.  
5. If you do not any longer need the additional safety provided by the rear position of the Extended Glider, either adjust it to the foremost position or replace the Extended Glider with the short replacement rear glider that was included in this glider set.

**Product information:** The chair is made of cultivated beech wood. The varnish contains no harmful substances, and the liberation of formaldehyde from the varnish complies with E1 requirements.  
**Safety approval:** Tripp Trapp® chair complies with ASTM F404-07. Tripp Trapp® chair is JPMA certified.

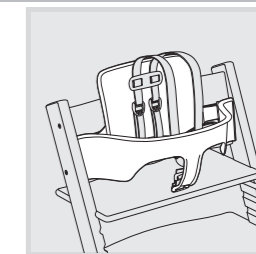


**CLEANING AND MAINTENANCE**  
Wipe with a clean damp cloth, wipe off excess of water with a dry cloth. Moisture will crack stain. We do not recommend the use of any detergent or micro fibre cloth. Colours may change if the chair is exposed to the sun.

**Accessories**



**Tripp Trapp® Cushion**  
Comes in several colours and designs. It fits your Tripp Trapp® chair both with and without Tripp Trapp® Baby Set.



**Tripp Trapp® Babysset**  
Babysset intended for children from 6 months and up to 2 years.

## RIGHT OF COMPLAINT AND EXTENDED WARRANTY

Applicable worldwide in respect of the chair TRIPP TRAPP®, hereinafter referred to as the product.

### RIGHT OF COMPLAINT

The customer has a right of complaint pursuant to the consumer protection legislation applicable at any given time, which legislation may vary from country to country.

Generally speaking, STOKKE AS does not grant any additional rights over and above those laid down by the legislation applicable at any given time, although reference is made to the "Extended Warranty" described below. The rights of the customer under the consumer protection legislation applicable at any given time are additional to those under the "Extended Warranty", and are not affected thereby.

### STOKKE® "EXTENDED WARRANTY"

However, STOKKE AS, Håhjem, N-6260 Skodje, Norway, grants an "Extended Warranty" to customers who register their product in our Warranty Database. This may be done via our webpage [www.stokke.com/guarantee](http://www.stokke.com/guarantee). Alternatively, one may fill in and submit the warranty form, which is inserted into the instruction manual accompanying the product. Upon registration, a warranty certificate will be issued and sent to the customer electronically (e-mail) or by ordinary mail.

Registration in the Warranty Database entitles the owner to an "Extended Warranty" as follows:

- **7-year** warranty against any manufacturing defect in the product.

The "Extended Warranty" also applies if the product has been received as a gift or purchased second-hand. Consequently, the "Extended Warranty" may be invoked by whoever is the owner of the product any given time, within the warranty period, and subject to the warranty certificate being presented by the owner.

### The STOKKE® "Extended Warranty" is conditional upon the following:

- Normal use.
- The product only having been used for the purpose for which the product is intended.
- The product having undergone ordinary maintenance, as described in the maintenance/instruction manual.
- Upon the "Extended Warranty" being invoked, the warranty certificate shall be presented, together with the original date-stamped purchase receipt. This also applies

- to any secondary or subsequent owner.
- The product appearing in its original state, hereunder that the only parts used have been supplied by STOKKE® and are intended for use on, or together with, the product. Any deviations herefrom require the prior written consent of STOKKE®.
- The serial number of the product not having been destroyed or removed.

### The STOKKE® "Extended Warranty" does not cover:

- Issues caused by normal developments in the parts making up the product (e.g. colouration changes, as well as wear and tear).
- Issues caused by minor variations in materials (e.g. colour differences between parts).
- Issues caused by extreme influence from external factors like sun/light, temperature, humidity, environmental pollution, etc.
- Damage caused by accidents/mishaps – for example any other objects having bumped into the product or any person having over turned the product by colliding with it. The same applies if the product has been overloaded, for example in terms of the weight placed on it.
- Damage inflicted on the product by external influence, for example when the product is being shipped as luggage.
- Consequential damage, for example damage inflicted on any persons and/or any other objects.
- If the product has been fitted with any accessories that have not been supplied by STOKKE®, the "Extended Warranty" shall lapse.
- The "Extended Warranty" shall not apply to any accessories that have been purchased or supplied together with the product, or at a subsequent date.

### STOKKE® will under the "Extended Warranty":

- Replace or – if STOKKE® thus prefers – repair the defective part, or the product in its entirety (if necessary), provided that the product is delivered to a reseller.
- Cover normal transport costs for any replacement part/product from STOKKE® to the reseller from whom the product was purchased. – No travel costs on the part of the purchaser are covered under the terms of the warranty.
- Reserve the right to replace, at the time of the warranty being invoked, defect parts by parts that are of approximately the same design.
- Reserve the right to supply a replacement product in cases

where the relevant product is no longer being manufactured at the time of the warranty being invoked. Such product shall be of corresponding quality and value.

### How to invoke the "Extended Warranty":

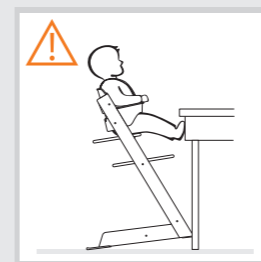
Generally speaking, all requests relating to the "Extended Warranty" shall be made to the reseller from whom the product was purchased. Such request shall be made as soon as possible after any defect has been discovered, and shall be accompanied by the warranty certificate as well as the original purchase receipt.

Documentation/evidence confirming the manufacturing defect shall be presented, normally by way of the product being brought along to the reseller, or otherwise being presented to the reseller or a STOKKE® sales representative for inspection.

The defect will be remedied in accordance with the above provisions if the reseller or a STOKKE® sales representative determines that the damage is caused by a manufacturing defect.

## ⚠ ¡ATENCIÓN! Evitar las heridas graves o la muerte por caída o deslizamiento.

- No dejar nunca al niño desatendido
- Tripp Trapp® Baby Set™ sólo debe utilizarse con el tablero de asiento en la primera hendidura de la parte superior de la silla.
- Usar siempre el sistema de retención infantil cuando el asiento se encuentre situado en una de las 3 ranuras superiores.
- No perder nunca de vista al niño.
- Estar en la proximidad del niño.
- No usar la silla alta (trona) a menos que todos los componentes estén correctamente montados y ajustados. Prestar especial atención al asiento y el reposapiés, asegurarse de que estén correctamente fijados antes de sentar al niño en la silla.
- No colocar la silla alta en la proximidad de un fuego abierto ni exponerla a fuentes de calor como puedan ser un radiador eléctrico o una hornilla de gas, debido al riesgo de incendio.
- No usar la silla alta si le falta algún componente o si tiene algún componente dañado o roto.
- No usar la silla alta antes de que el niño pueda sentarse solo.
- Colocar siempre la silla alta en una superficie plana y estable y asegurarse de que tenga espacio suficiente para poder deslizarse hacia atrás.
- Cuidar de no colocar artículos pequeños, sustancias tóxicas, objetos calientes, flexos eléctricos, etc., próximos a la silla alta y al alcance del niño, ya que podrían causar la asfixia, la intoxicación u otros daños corporales.
- No olvidar volver a apretar todos los tornillos a las 2 ó 3 semanas del montaje de la silla alta. Después, se recomienda apretar los tornillos periódicamente, por ejemplo cada dos meses.
- Guardar la llave hexagonal (Allen) para futuro uso, pero fuera del alcance del niño.
- El uso de piezas de recambio o accesorios que no sean los suministrados por STOKKE® puede afectar a la seguridad del niño.
- No utilizar la silla alta de taburete.
- No utilizarla con un asiento elevado.
- El niño debe estar sujeto todo el tiempo por el sistema de retención mientras esté sentado en la silla alta.
- TRIPP TRAPP® está concebida para su uso cuando el niño sea capaz de sentarse por sí solo (a los 6 meses, aproximadamente)
- El frontal del reposapiés no debe sobrepasar las patas delanteras de la silla al nivel del suelo.
- NUNCA utilice la trona Tripp Trapp® sin ningún tipo de deslizador.



### ◀ Tablero

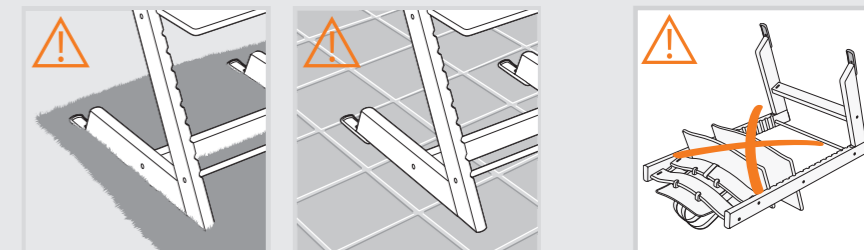
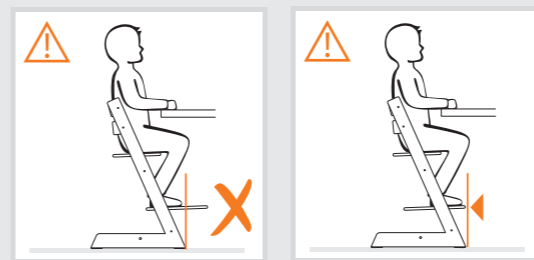
Tener en cuenta el riesgo que supone un gran espacio entre la silla y el tablero de la mesa: el niño podrá más fácilmente empujar las piernas contra el tablero y volcar la silla hacia atrás. Notar igualmente que Tripp Trapp® está diseñada para mesas familiares de 72-76 cm de altura.

### ▼ ¡ATENCIÓN!

NUNCA deje que su hijo juegue alrededor de la trona Tripp Trapp® si la silla no está en la posición deseada para su utilización.

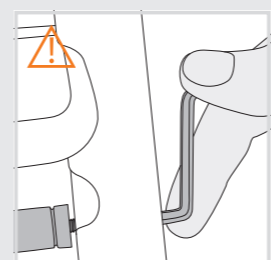
### ▼ Reposapiés

Asegurarse de que el borde delantero del reposapiés NUNCA sobrepase el borde delantero de las patas de la silla alta al nivel del suelo. La silla no sería en tal caso estable cuando el niño intente subirse o bajarse de la silla alta Tripp Trapp®.



### ▲ Superficies rugosas (suelos desiguales), como por ejemplo alfombrillas y baldosas

La silla Tripp Trapp® cuenta con deslizadores de plástico bajo las patas para así evitar que bascule al echarse hacia atrás. Su función es permitir que la silla pueda deslizarse hacia atrás y volver a la posición vertical al empujarla. Para garantizar que los deslizadores funcionan bien, la silla debe situarse sobre una superficie que permita el deslizamiento hacia atrás. La superficie, por tanto, debe ser estable, estar nivelada y contar con una cierta dureza. Las superficies desiguales o rugosas, como por ejemplo los suelos de baldosa, y las alfombrillas o alfombras suaves o con grandes extremos holgados, no son los más apropiados para las sillas de niños. Aunque la silla Tripp Trapp® se caracteriza por su estabilidad, estas condiciones también se aplican a la misma. Tanto los deslizadores como el suelo deben mantenerse limpios. El deslizador extendido de Tripp Trapp® tiene dos posiciones diferentes (ver los dibujos al reverso de esta guía del usuario). Le recomendamos usar siempre la trona con el deslizador extendido en la posición posterior. Esto es especialmente importante si se coloca la silla sobre una alfombra o moqueta blanda, o delante de una mesa que tenga un espacio debajo del tablero, en el que el niño pueda dar una patada y volcar hacia atrás.



### ◀ ¡ATENCIÓN!

Cuando el reposapiés esté puesto cerca de la barra de metal, quedará un pequeño espacio entre la barra y la cara interior de las patas de la silla. Esto es absolutamente

normal. No intente nunca forzar la barra de metal para que toque las patas laterales, ya que con ello podría dañar la silla y/o hacerla inestable.

## LEER DETENIDAMENTE ANTES DE MONTAR LA SILLA ALTA TRIPP TRAPP®.

En las últimas páginas del presente manual se encuentran ilustraciones que describen el montaje de la silla alta Tripp Trapp® y la barra Tripp Trapp® Baby Rail. La barra sólo se utilizará con el tablero de asiento colocado en la ranura superior.

### PIEZAS

10 tornillos de metal • 6 tuercas de metal • 1 llave hexagonal (Allen) • 2 respaldos curvados • 2 barras transversales de metal • 1 barra transversal de madera para la base • 1 asiento • 1 reposapiés • 2 patas

1. Fijar la barra de la base a las patas (con las ranuras hacia el interior). ¡Es importante insertar primero el lado poco profundo de la tuerca!
2. Insertar los tornillos y apretar.
3. Fijar las dos barras de metal y apretar ligeramente.
4. Fijar los dos respaldos curvados. Insertar la tuerca de metal por el lado menos profundo y apretar ligeramente. NOTAR: El respaldo con correa va dentro de las ranuras de la base.
5. Deslizar el asiento y el reposapiés en las ranuras, el borde recto irá al frente. Asegurarse de que la altura y profundidad del asiento y el reposapiés se adapten a la talla del niño (ver las instrucciones para el ajuste del asiento y el reposapiés en este manual).
6. Colocar la silla alta en una superficie plana y acabar de apretar todos los tornillos en el orden indicado.

### AJUSTE DEL ASIENTO Y EL REPOSAPIÉS

Es importante ajustar en profundidad y altura el asiento con el fin de adaptarlo a la talla del niño. Ver las ilustraciones de la página desplegable y la descripción que sigue más abajo. Las posiciones del asiento y el reposapiés deberán controlarse a medida que crece el niño y, al menos, una vez al año. El tablero del asiento y el reposapiés deberán estar sostenidos a lo largo de todas las ranuras laterales (y no sólo en parte de las ranuras).

### Colocación del asiento

Altura: el asiento estará a la altura correcta cuando los codos del niño estén al mismo nivel que el tablero de la mesa. Profundidad: para la profundidad correcta, colocar al niño con la espalda contra el respaldo, de manera que el asiento apoye las ¾ partes de los muslos. Para un mayor confort del niño, es importante que el asiento no tenga demasiada profundidad. Dejar un espacio confortable entre el borde delantero del asiento y las corvas del niño. ¡Podrá parecer extraño que un niño de 6-8 meses necesite un asiento tan pequeño! El tablero del asiento no deberá sobresalir más de 1½-2" (4-5cm) cm de las patas laterales.

### Colocación del reposapiés

Altura: El reposapiés estará a la altura correcta cuando el niño, con los muslos apoyados en el asiento, pueda reposar por completo las plantas de los pies. Profundidad: Asegúrese de que el borde delantero del reposapiés NUNCA sobrepase el borde delantero de las patas de la silla al nivel del suelo.

### Tabla de edad y ajuste aproximado.

Esta tabla es una guía aproximada para ajustar la altura y la profundidad del asiento y el reposapiés según la edad del niño. La talla de los niños varía con la edad, por lo que se verificará que el niño esté correctamente sentado conforme a las instrucciones de este manual del usuario.

EDAD	ASIENTO	REPOSAPIÉ
6 meses	1	5
1 1/2 Años	2	6
3 Años	2	8
7 Años	3	11
10 Años	4	14
Adolescente /adulto	n.a.	4-5*

\*) Usar el reposapiés como asiento. Por eso no tiene aplicación el asiento.

### USO DEL SISTEMA DE RETENCIÓN INFANTIL

Utilice siempre el sistema de retención si el asiento está puesto en una de las tres ranuras superiores. Coloque al niño en el asiento. Meta cada uno de sus brazos a través del bucle que forman la correa del hombro y el cinturón y póngala sobre el regazo del niño. Hay una correa para la entrepierna. Abrochar las correas del hombro a la correa de la entrepierna. Ajustar la longitud de las correas del hombro, la cintura y la entrepierna de modo que el niño quede sujeto en el asiento. La longitud de la correa de la entrepierna debe ajustarse de tal manera que el broche de fijación quede a la altura de la cintura. El sistema de retención puede ser retirado cuando el niño tenga 36 meses y sea capaz de sentarse de forma segura en la TRIPP TRAPP®. Quitar con una herramienta el resorte situado debajo del tablero del asiento y destrabar la correa de la entrepierna. Usar un destornillador para destrabar del respaldo el resto del arnés.

### Montaje del deslizador extendido de Tripp Trapp®:

1. Coloque la trona Tripp Trapp® en posición invertida sobre una mesa. Ponga debajo un trozo de cartón para proteger el tablero.
2. Quite el deslizador trasero corto originario y tírelo. Este deslizador ya no se volverá a utilizar. El presente conjunto de deslizadores incluye deslizadores cortos sustituyibles (para el periodo posterior a la utilización de deslizadores extendidos).
3. Coloque el encaje metálico en el orificio tal y como se muestra en el dibujo. Verifique que está a ras de la parte inferior de la pata de la Tripp Trapp®. ¡NOTE! Si no coloca el encaje metálico en el orificio correcto, el deslizador extendido no funcionará como es debido.
4. Fije el deslizador extendido a la trona Tripp Trapp® en la posición posterior. Dicha posición le asegura al deslizador una funcionalidad de extensión máxima.
5. Cuando ya no necesite la seguridad adicional que le proporciona el deslizador extendido en la posición posterior, ajústelo a la posición más delantera, o sustitúyalo por el deslizador trasero corto incluido en este conjunto de deslizadores.

**Información sobre el producto:** Esta silla está fabricada de haya cultivada. El barniz no contiene sustancias tóxicas y las emanaciones de formaldehído del barniz cumplen con la normas para la clase E1.

### Homologación de seguridad:

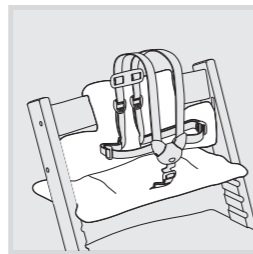
La silla alta Tripp Trapp® cumple con la norma ASTM F404-07 (American Society for Testing and Materials). La silla alta Tripp Trapp® está certificada por la JPMA (Juvenile Products Manufacturing Association).



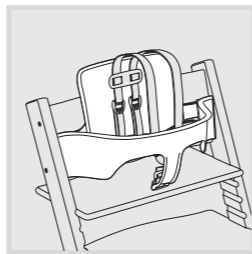
### LIMPIEZA Y MANTENIMIENTO

Pasar un paño húmedo y absorber el exceso de agua con un paño seco. La humedad agrietará el tinte. No se recomienda el uso de detergente ni de bayetas de microfibras.

### Accesorios



**Cojín Tripp Trapp®**  
El cojín está disponible en varios colores y diseños. Se adapta a la silla alta Tripp Trapp® con y sin barrera de seguridad Tripp Trapp® Baby Set



**Tripp Trapp® Baby Set**  
Barrera de seguridad Tripp Trapp® Baby Set para niños de edades comprendidas entre 6 meses y 2 años.

### Derecho de reclamación y ampliación de garantía

De aplicación en todo el mundo en lo concerniente a la silla Tripp Trapp®, en adelante «el producto».

### DERECHO DE RECLAMACIÓN

El cliente tiene derecho a la reclamación de conformidad con la legislación de protección al consumidor en cualquier momento, teniendo en cuenta que la legislación puede variar en función del país de que se trate.

Por lo general, STOKKE AS no otorga derechos complementarios que superen una mejora de los establecidos en la legislación aplicable en cualquier momento, aunque se hará referencia a la «Ampliación de Garantía» a continuación. Los derechos del consumidor bajo la legislación aplicable de protección al consumidor en cualquier momento, son complementarios a las garantías de la «Ampliación de Garantía» y no afectan a la misma.

### «AMPLIACIÓN DE GARANTÍA» DE STOKKE®

No obstante, STOKKE AS, domiciliada en: Håhjem, N-6260 Skodje, Noruega, otorga una «Ampliación de Garantía» a los clientes que registren su producto en nuestra Base de Datos de Garantías. Esto se puede hacer en la página Web, en el enlace: [www.stokke.com/guarantee](http://www.stokke.com/guarantee). También es posible rellenar y enviar el formulario de garantía que se incluye en el manual de instrucciones junto al producto. Tras el registro, se emitirá un certificado de registro que se enviará al cliente por medios electrónicos (correo-e) o por correo ordinario.

El registro en la Base de Datos de Garantías da derecho al propietario a una «Ampliación de Garantía» que consta de:

- Una garantía de siete años contra cualquier defecto de fabricación del producto.

La «Ampliación de Garantía» también es aplicable si el producto se ha recibido como regalo o si se ha comprado de segunda mano. Por lo tanto, cualquier persona que sea propietaria del producto podrá apelar a la «Ampliación de Garantía» en cualquier momento, siempre dentro del periodo de garantía y con la condición de la presentación del certificado de garantía por parte del propietario.

### La «Ampliación de Garantía» de STOKKE® depende del cumplimiento de las siguientes condiciones:

- Uso normal.
- El producto sólo deberá utilizarse para el fin destinado.
- El producto habrá tenido el mantenimiento necesario, siguiendo las instrucciones del manual de mantenimiento o instrucciones.
- Tras la apelación a la «Ampliación de Garantía», se presentará el certificado de garantía, junto con el recibo de compra original, con sello que incluya la fecha de compra. Esto también será de aplicación para propietarios secundarios o posteriores.
- Que el producto se presente en su estado original, y, dentro de esta condición, que las piezas utilizadas sean sólo las que haya suministrado STOKKE® y con el fin de usarse en o junto con el producto. Cualquier modificación de esta condición requerirá el consentimiento previo por escrito de STOKKE®.
- El número de serie del producto no podrá ser destruido o retirado.

### Las siguientes circunstancias no quedarán cubiertas por la «Ampliación de Garantía» de STOKKE®:

- Problemas a causa de la evolución normal de las piezas que componen el producto (p.e. cambios de color, así como desgaste).
- Problemas a causa de pequeñas variaciones en los materiales (p.e. diferencias de color entre las piezas).
- Problemas a causa de la influencia de factores externos tales como la luz solar, temperatura, humedad, contaminación ambiental, etc.
- Daños a causa de accidentes o infortunios, por ejemplo que se hayan estrellado objetos contra el producto o que una persona haya volcado el producto al chocarse contra el mismo. Lo mismo ocurrirá en el caso en el que el producto se sobrecargue, por ejemplo por el peso que se coloque encima del mismo.
- Daños ocasionados en el producto por influencia externa, por ejemplo cuando el producto se envíe como equipaje.
- Daños indirectos, por ejemplo, daños causados a cualquier persona y/o a cualquier otro objeto u objetos.
- Si al producto se le montasen accesorios no suministrados por Stokke®, prescribirá la «Ampliación de Garantía».

• La «Ampliación de Garantía» no será aplicable a accesorios que se hayan comprado o suministrado junto con el producto o en una fecha posterior, por ejemplo el «conjunto bebés» y/o la almohada.

### Bajo la «Ampliación de Garantía», STOKKE® hará lo siguiente:

- Reemplazar o, si STOKKE® lo prefiera, reparar la pieza defectuosa, o el producto íntegro (si fuera necesario) con la condición de que el producto se entregue a un distribuidor.
- Cubrir los costes normales de transporte para cualquier pieza o producto de reemplazo de STOKKE® enviado al distribuidor al que se haya adquirido el producto. Ningún gasto de viaje por parte del comprador quedará cubierto bajo las condiciones de la garantía.
- Reservarse el derecho a sustituir, en el momento en el que se haga uso de la garantía, las piezas defectuosas con piezas que sean aproximadamente del mismo diseño.
- Reservarse el derecho a suministrar un producto sustitutivo en el caso en el que el producto en cuestión ya no se esté fabricando en el momento en que se haga uso de la garantía. Tal producto será de una calidad y un valor equivalentes.

### Cómo hacer uso de la «Ampliación de Garantía»:

Por lo general, todas las peticiones que se refieran a la «Ampliación de Garantía» se harán al distribuidor al que se haya comprado el producto. Estas peticiones se realizarán a la menor brevedad tras la detección de cualquier defecto, y se acompañarán del certificado de garantía así como del recibo original de compra.

Se presentará la documentación o pruebas que confirmen el defecto de fabricación, normalmente al llevar el producto al distribuidor o, de lo contrario, presentándolas ante el distribuidor o a un representante de ventas de STOKKE® para su inspección.

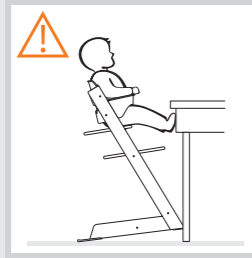
El defecto se subsanará de acuerdo con las disposiciones anteriores si el distribuidor o un representante de ventas de STOKKE® determinaran que el daño lo ha producido un defecto de fabricación.

## ⚠ AVERTISSEMENT:

### Évitez blessures graves ou accident mortel à la suite de chutes ou glissements

- Ne jamais laisser un enfant sans surveillance
- Le kit Tripp Trapp® Baby Set™ ne doit être utilisé qu'avec l'assise placée au niveau de la première encoche à partir du haut de la chaise.
- Lorsque le siège est dans l'une des 3 positions les plus élevées, toujours utiliser la sangle de retenue
- Toujours garder un oeil sur l'enfant
- Rester à portée de l'enfant
- Ne pas utiliser la chaise haute si tous les composants ne sont pas correctement en place et bien réglés. Faire spécialement attention au siège et au repose-pieds, contrôler qu'ils sont correctement fixés avant d'y placer l'enfant.
- Ne pas placer la chaise haute près de flammes et autres sources de forte chaleur, comme les radiateurs électriques ou au gaz, afin d'éviter le danger d'incendie.
- Ne pas utiliser la chaise haute si une pièce est cassée, déchirée ou manquante
- Ne pas utiliser la chaise haute avant que l'enfant ne sache rester assis de lui-même.
- Placer toujours la chaise haute sur une surface plane et vérifier qu'elle ait de la place pour pouvoir reculer.
- Faire attention à ne pas placer de petits objets, substances toxiques, objets chauds, câbles électriques etc..

- près de la chaise haute de sorte que l'enfant puisse les saisir, afin d'éviter les dangers d'étouffement, d'empoisonnement et autres blessures
- Ne pas oublier de resserrer toutes les vis 2-3 semaines après l'assemblage de la chaise haute. Par la suite effectuer des contrôles réguliers et resserrer les vis si nécessaire, par exemple tous les deux mois. Mettre la clé Allen de côté pour usage ultérieur, mais hors de portée de l'enfant.
- Ne jamais utiliser d'accessoires ou pièces de rechange non fabriqués par Stokke®, afin de ne pas mettre l'enfant en danger.
- Ne pas utiliser la chaise haute comme Escabeau.
- Ne pas utiliser avec un rehausseur.
- L'enfant doit toujours être attaché par les sangles lorsqu'il est dans la chaise haute
- TRIPP TRAPP® est conçu pour être utilisé quand l'enfant assis peut se tenir droit sans aide (environ à partir de 6 mois).
- L'avant et le repose-pieds ne doivent pas dépasser les pieds avants de la chaise au niveau du plancher
- Ne JAMAIS utiliser la chaise haute Tripp Trapp® sans aucun glisseur.



#### ⚠ Tablette

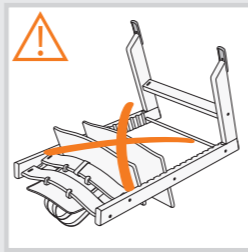
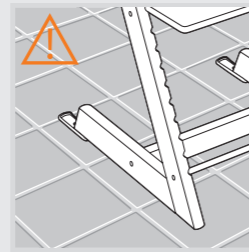
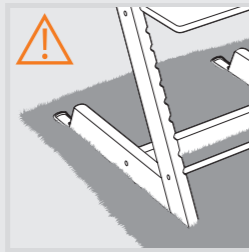
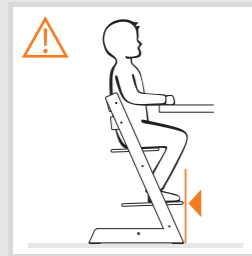
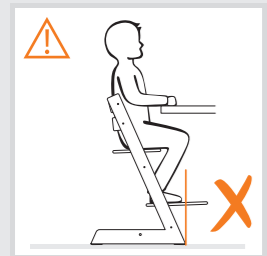
Tenir compte du danger qu'un pan de meuble sous le dessus de la table peut permettre à l'enfant de pousser des deux jambes et renverser la chaise. Il est bon de noter que Tripp Trapp® est conçu pour les tables de salle à manger d'une hauteur de 72 à 76 cm.

#### ⚠ AVERTISSEMENT

Ne JAMAIS laisser l'enfant jouer autour de la chaise haute Tripp Trapp® si celle-ci n'est pas dans la position d'utilisation voulue.

#### ▼ Repose-pieds

Surveiller que le rebord avant du repose-pieds ne dépasse JAMAIS l'extrémité avant des pieds de la chaise au niveau du plancher, la chaise pourrait alors être instable quand l'enfant monte ou descend de sa chaise haute Tripp Trapp®



#### ▲ Surface rugueuse (sol inégal) tapis et carreaux par exemple

Pour empêcher que la Chaise Tripp Trapp® (marque déposée) ne penche quand elle est poussée en arrière, des glissières en plastique sont placées sous les pieds. Leur fonction est de permettre à la chaise de glisser vers l'arrière et de retourner à une position verticale quand elle est poussée vers l'arrière. Pour s'assurer que les glissières fonctionnent comme prévu, la chaise doit être placée sur une surface lui permettant de glisser en arrière. Par conséquent, la surface doit être horizontale, stable et dure. Les surfaces inégales, rugueuses, telles que par exemple certains sols carrelés, recouverts de moquette ou tapis mous à longues franges desserrées ne conviennent habituellement pas pour les chaises de tout-petits.

Bien que la chaise Tripp Trapp® (marque déposée) soit connue pour sa stabilité, les mêmes conditions sont requises pour celle-ci.

Les glissières ainsi que le sol doivent être propres. Le Tripp Trapp® Extended Glider a deux positions différentes (voir les illustrations au dos de cette notice d'utilisation). Nous recommandons de toujours l'utiliser avec Extended Glider en position arrière. Ceci est particulièrement important quand la chaise est placée sur un tapis souple, ou devant une table dont le cadre supportant l'entablement peut servir d'appui à l'enfant pour se propulser vers l'arrière.

#### ⚠ AVERTISSEMENT

Quand le repose-pieds est positionné contre la tige métallique, il existe un petit espace entre la partie intérieure des montants de la chaise et la tige

métallique. Cet espace est parfaitement normal. N'essayez jamais de forcer pour que la tige métallique vienne au contact des montants de la chaise. La chaise risquerait d'être endommagée et/ou de devenir instable.

#### LIRE ATTENTIVEMENT AVANT D'ASSEMBLER VOTRE CHAISE HAUTE TRIPP TRAPP®

Dans les dernières pages de ce manuel d'utilisation vous trouverez des illustrations décrivant comment assembler votre chaise haute Tripp Trapp® et votre Tripp Trapp® Baby Rail. Le Baby rail doit être seulement utilisé quand le siège est dans la rainure supérieure.

#### Composants

10 vis en métal • 6 écrous en métal • 1 clé Allen • 2 dossiers cintrés • 2 barres transversales en métal • 1 barre transversale de base en bois • 1 siège • 1 repose-pieds • 2 pieds

1. Attacher la barre de base en bois aux pieds (les rainures vers l'intérieur). Il est important d'introduire le côté peu profond de l'écrou en premier !
2. Introduire les vis et serrer
3. Attacher les deux barres en métal et serrer légèrement
4. Attacher les deux dossiers cintrés. Introduire le côté peu profond de l'écrou en métal en premier et serrer légèrement. NB ! Un dossier avec sangle va dans les rainures du bas.
5. Faire glisser le siège et le repose-pieds dans les rainures, l'angle droit vers l'avant. Contrôler que la hauteur et la profondeur du siège et du repose-pieds conviennent à la taille de votre enfant (voir ci-dessous les instructions pour régler le siège et le repose-pieds).
6. Placer la chaise haute sur une surface plane et serrer les vis dans l'ordre indiqué.

#### RÉGLAGE DU SIÈGE ET DU REPOSE-PIEDS

Il est important d'adapter la profondeur et la hauteur du siège et du repose-pieds à la taille de l'enfant. Voir les illustrations sur le dépliant et la description ci-dessous. La position du siège et du repose-pieds doit être contrôlée au fur et à mesure que l'enfant grandit, minimum une fois par an. Le plateau du siège et le repose-pieds doivent être supportés par la pleine longueur des rainures sur les côtés (non à moitié supportés)

#### Placement du siège

Hauteur – Le siège est à la bonne hauteur quand les coudes de l'enfant sont au même niveau que le dessus de la tablette.

Profondeur – Pour obtenir la bonne profondeur du siège, placer le dos de l'enfant contre le dossier, le siège supportant les ¾ des cuisses. Pour le meilleur confort de l'enfant il est important que la profondeur du siège ne soit pas trop grande. Laisser un espace confortable entre le bord avant du siège et le derrière du genou de l'enfant. Vous serez probablement surpris de voir la petite taille du siège nécessaire pour un enfant de 6-8 mois. Le plateau du siège ne doit pas dépasser de plus de 1½-2" (4-5cm) cm devant les pieds latéraux de la chaise.

#### Position du repose-pieds

Hauteur – Le repose-pieds est à la bonne hauteur quand le dessous du pied de l'enfant peut reposer à plat sur le repose-pieds, les cuisses touchant le siège

Profondeur – Le rebord avant du repose-pieds ne doit JAMAIS dépasser la pointe avant des pieds de la chaise au niveau du sol.

#### Tableau des âges et réglage approximatif.

Ce tableau est un guide grossier pour le réglage de la hauteur du siège et du repose-pieds en fonction de l'âge de l'enfant. La taille des enfants varie en fonction de l'âge, et il faut donc que vous contrôliez toujours que l'enfant est correctement assis selon les instructions du guide utilisateur.

ÂGE	SIÈGE	REPOSE-PIEDS
Mois	1	5
1 1/2 Année	2	6
3 Année	2	8
7 Année	3	11
10 Année	4	14
Adolescent/adulte	n.a.	4-5*

\*) Utiliser le repose-pieds comme siège. Le siège n'est donc pas applicable.

#### OPERATION DU SYSTÈME DE MAINTIEN EN PLACE

Toujours utiliser le système de maintien lorsque le siège est dans la 1ère, 2ème ou 3ème rainure à partir du sommet. Mettre l'enfant sur le siège.

Faire passer chaque bras dans la boucle formée par la sangle de l'épaule et de la taille. La fixation est placée entre les jambes de l'enfant. Attacher chacune des courroies retenant l'épaule à la fixation. Régler la longueur des sangles d'épaule, taille et entre jambes pour maintenir l'enfant dans le siège. La longueur de la sangle de l'entre jambes doit être réglée de sorte que la boucle de fixation se trouve au niveau de la taille.

Le système de maintien peut être enlevé lorsque l'enfant a 36 mois ET qu'il est capable de rester assis en toute sécurité sur son siège TRIPP TRAPP®. Utiliser un outil pour enlever le ressort sous le plateau du siège et libérer la sangle de l'entre jambes. Utiliser un tourne-vis pour détacher le reste du harnais du dossier.

#### Montage du patin glisseur extensible Tripp Trapp® Extended Glider :

1. Retourner la chaise haute Tripp Trapp® tête en bas sur une table. Protéger préalablement la table avec un carton.
2. Retirer le patin court arrière d'origine et le jeter. Il ne sera plus jamais utilisable. Des patins glisseurs courts de rechange (pour un usage postérieur à la période d'utilisation d'Extended Glider) sont compris dans l'assortiment de patins fourni.
3. Placer l'insert en laiton dans le trou indiqué sur l'illustration. S'assurer qu'il est au même niveau que le dessous du pied de Tripp Trapp®. REMARQUE ! Si l'insert en laiton est placé dans le mauvais trou, le patin Extended Glider ne fonctionnera pas correctement.
4. Fixer Tripp Trapp® Extended Glider à la chaise haute, en position arrière. La position arrière assure une fonctionnalité d'extension maximale du glisseur.
5. Quand la sécurité supplémentaire que procure la position arrière du patin Extended Glider n'est plus nécessaire, ajuster le glisseur en position avant maximale ou le remplacer par un patin glisseur arrière court inclus dans l'assortiment fourni.

**Informations sur le produit:** la chaise est en bouleau de culture. Le vernis ne contient pas de substances dangereuses, et le dégagement de formaldéhyde se place à un niveau qui respecte les conditions de E1.

#### Approbation de sécurité :

La chaise haute Tripp Trapp® remplit les conditions de l'ASTM F404-07.

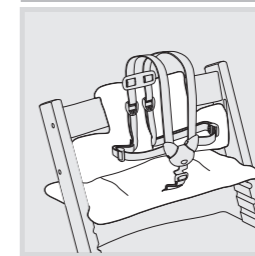
La chaise haute Tripp Trapp® est certifiée JPMA.



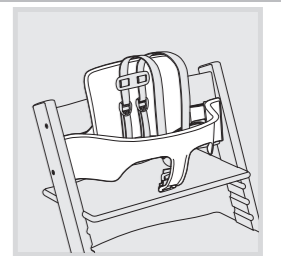
#### Nettoyage et entretien

Nettoyez avec un chiffon humide propre, essuyez les excès de liquide avec un chiffon sec. L'humidité fait craqueler le vernis. Nous ne recommandons pas l'usage de détergent ni de lingettes microfibrées. Les coloris peuvent changer si la chaise haute est exposée aux rayons du soleil.

#### Accessoires



Tripp Trapp® Cushion (coussin) existe en plusieurs couleurs et motifs. Il est adapté à la chaise haute Tripp Trapp® avec ou sans le Tripp Trapp® Baby Set.



Tripp Trapp® Baby Set Le Baby Set est prévu pour les enfants de 6 mois à 2 ans.

## Droit à réclamation et Extension de garantie

Applicable dans le monde entier à la chaise Tripp Trapp®, ciaprès dénommée le « produit. »

### DROIT A RÉCLAMATION

Le client dispose d'un droit à réclamation en application de la législation en matière de protection des consommateurs applicable à un moment donné ; cette législation peut varier d'un pays à l'autre.

D'une manière générale, STOKKE AS n'accorde pas de droits supplémentaires ni supérieurs à ceux stipulés dans la législation applicable à un moment donné, bien qu'il soit fait référence à « l'Extension de Garantie » décrite ci-dessous. Les droits du client, conformément à la législation sur la protection des consommateurs applicable à un moment donné, viennent en supplément de ceux qui sont mentionnés dans « l'Extension de Garantie » et ne sont pas affectés par celle-ci.

### « L'EXTENSION DE GARANTIE » STOKKE®

Néanmoins, STOKKE AS, Håhjem, N-6260 Skodje, Norvège, accorde une « Extension de Garantie » aux clients qui enregistrent leur produit dans notre base de données de Garantie. L'enregistrement peut se faire via notre site Web : [www.stokke.com/guarantee](http://www.stokke.com/guarantee). Sinon, vous pouvez remplir et soumettre le formulaire de garantie qui figure dans le manuel d'utilisation et d'entretien accompagnant le produit. Une fois l'enregistrement effectué, un certificat de garantie sera émis et transmis au client par voie électronique (email) ou par courrier ordinaire.

L'enregistrement dans la base de données de Garantie donne droit au propriétaire à une « Extension de Garantie » dans les conditions suivantes :

- **7 ans** de garantie contre tout défaut de fabrication du produit.

« L'Extension de Garantie » s'applique également si le produit a été reçu en cadeau ou acheté d'occasion. Par conséquent, « l'Extension de Garantie » peut être invoquée par toute personne propriétaire du produit, à un moment donné, au cours de la période de garantie, et sous réserve de la présentation du certificat de garantie par le propriétaire.

### « L'Extension de Garantie » STOKKE® est conditionnée par :

- Une utilisation normale.
- Le produit ne doit avoir été utilisé qu'aux fins auxquelles il est destiné.
- Le produit doit avoir fait l'objet d'un entretien ordinaire, tel qu'il est décrit dans le manuel d'utilisation et d'entretien.
- Si « l'Extension de Garantie » est invoquée, le certificat de garantie doit être présenté, accompagné du ticket de caisse original, daté et portant le tampon du vendeur. Cela s'applique également au deuxième propriétaire ou à tout propriétaire ultérieur.
- Le produit doit être présenté dans son état d'origine, à condition que les seules pièces utilisées aient été fournies par STOKKE® et soient destinées à être utilisées sur ou avec le produit. Si l'une des conditions ci-dessus n'est pas respectée il faut obtenir le consentement écrit préalable de STOKKE®.
- Le numéro de série du produit ne doit être ni effacé ni enlevé.

« L'Extension de Garantie » de STOKKE® ne couvre pas :

- Les problèmes causés par le changement, au fil du temps, des pièces qui composent le produit (par exemple, le changement de coloration, ainsi que l'usure).
- Les problèmes causés par des modifications mineures au niveau pièces).
- Les problèmes causés par l'influence extrême de facteurs externes tels que la lumière du soleil, la température, l'humidité, la pollution de l'environnement, etc.
- Les dommages causés par des accidents/incidents – par exemple, tout autre objet qui heurte le produit ou toute personne qui renverse le produit en le heurtant. La même clause s'applique si le produit a subi une surcharge, par exemple, de poids.
- Les dommages causés au produit par des facteurs externes, par exemple, lorsque le produit est transporté en tant que bagage.
- Les dommages indirects, par exemple, les dommages causés à des personnes et/ou d'autres objets.
- S'il a été fixé au produit des accessoires qui n'ont pas été fournis par STOKKE, « l'Extension de Garantie » ne s'applique plus.
- « L'Extension de Garantie » ne s'applique pas aux accessoires qui ont été achetés ou fournis avec le

produit ou à une date ultérieure – par exemple, elle ne s'applique pas à l'« ensemble bébé » et/ou à l'oreiller.

### En vertu de « l'Extension de Garantie », STOKKE® :

- Remplacera ou – si STOKKE® préfère – réparera la pièce défectueuse ou le produit dans son intégralité (si nécessaire), à condition que le produit soit livré à un revendeur.
- Couvrira les frais normaux de transport de toute pièce de rechange/ tout produit de STOKKE® au revendeur chez lequel le produit a été acheté. Les frais de voyage supportés par l'acheteur ne seront pas couverts selon les termes de la garantie.
- Se réserve le droit de remplacer, au moment où la garantie est invoquée, les pièces défectueuses par des pièces de conception similaire.
- Se réserve le droit de fournir un produit de remplacement dans les cas où le produit concerné n'est plus fabriqué au moment où la garantie est invoquée. Le produit en question doit être de qualité et de valeur équivalente.

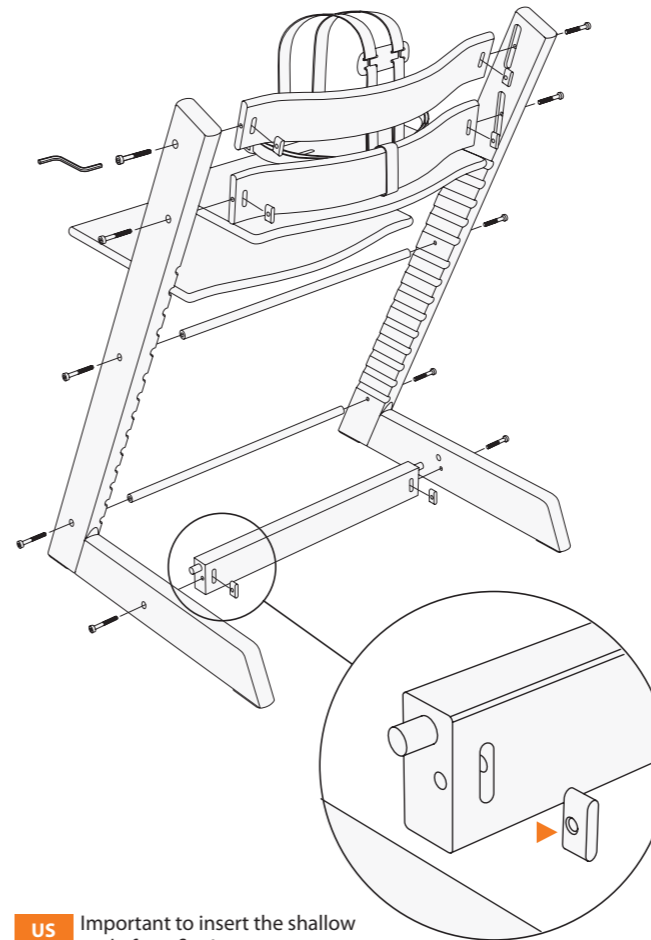
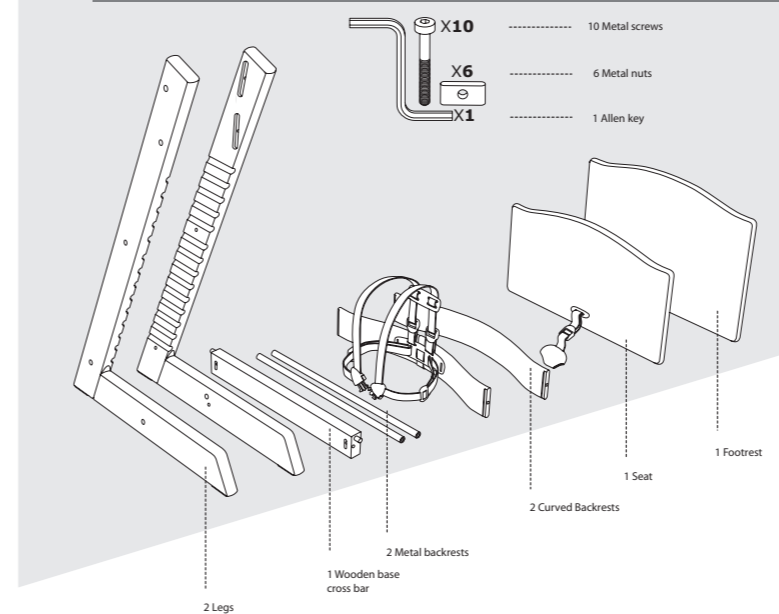
### Comment invoquer « l'Extension de Garantie » :

En général, toutes les demandes liées à « l'Extension de Garantie » doivent être faites auprès du revendeur chez lequel le produit a été acheté. Ces demandes doivent être faites dès que possible après la découverte d'un défaut, et elles doivent être accompagnées du certificat de garantie ainsi que du ticket de caisse original.

Des documents/preuves confirmant l'existence du défaut de fabrication doivent être présenté(e)s, normalement en apportant le produit au revendeur ou sinon, en le présentant au revendeur ou à un représentant de commerce de STOKKE® pour vérification.

Il sera remédié au défaut conformément aux dispositions précitées si le revendeur ou un représentant de commerce de STOKKE® établit que le produit présente bien un défaut de fabrication.

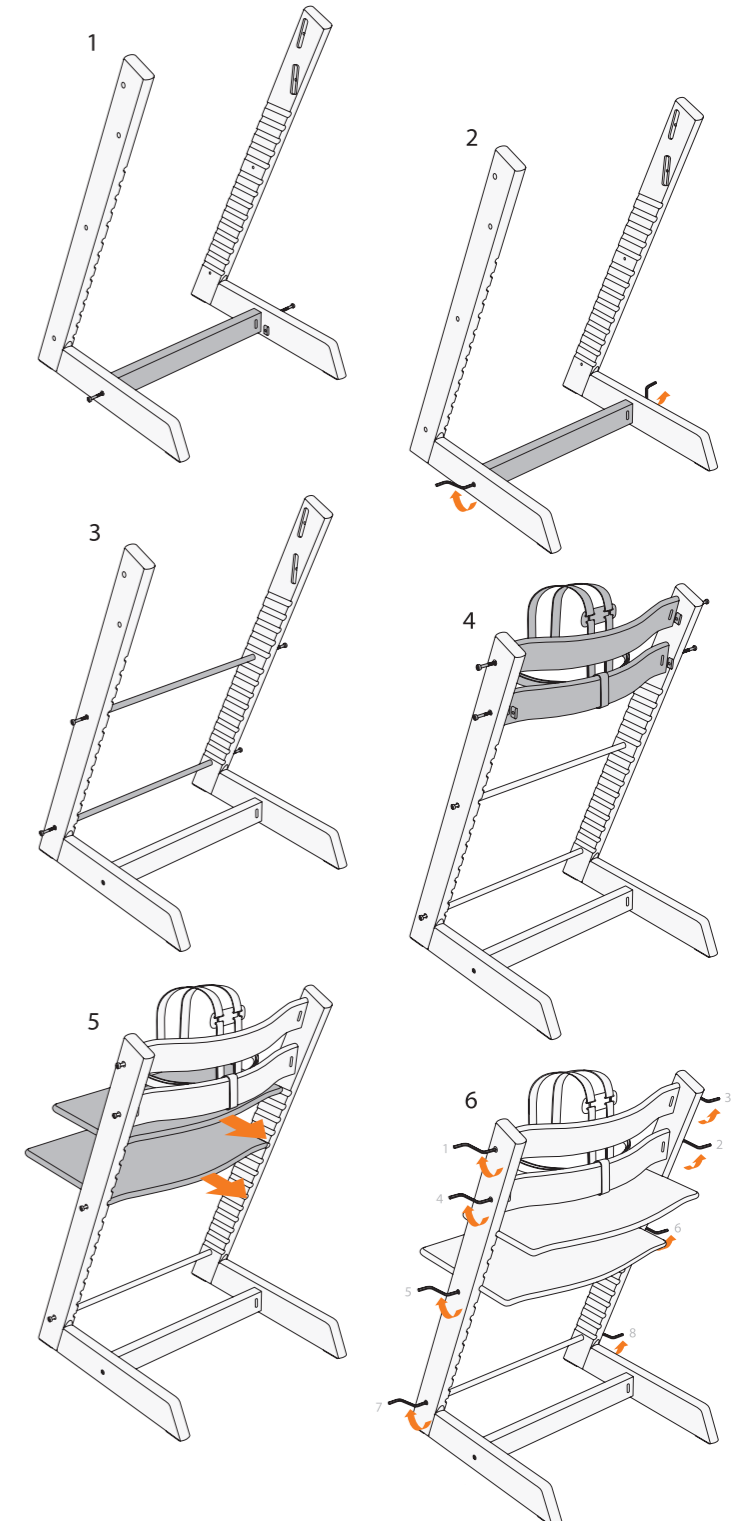
### ASSEMBLING YOUR TRIPP TRAPP® CHAIR.

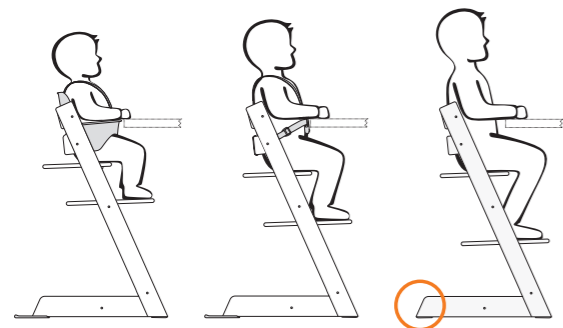
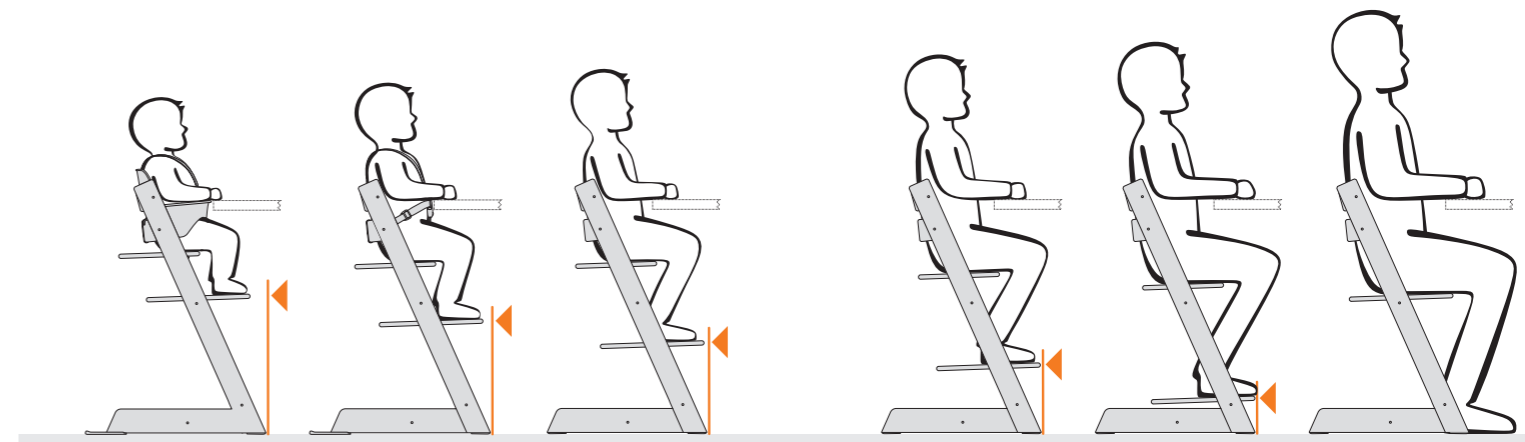
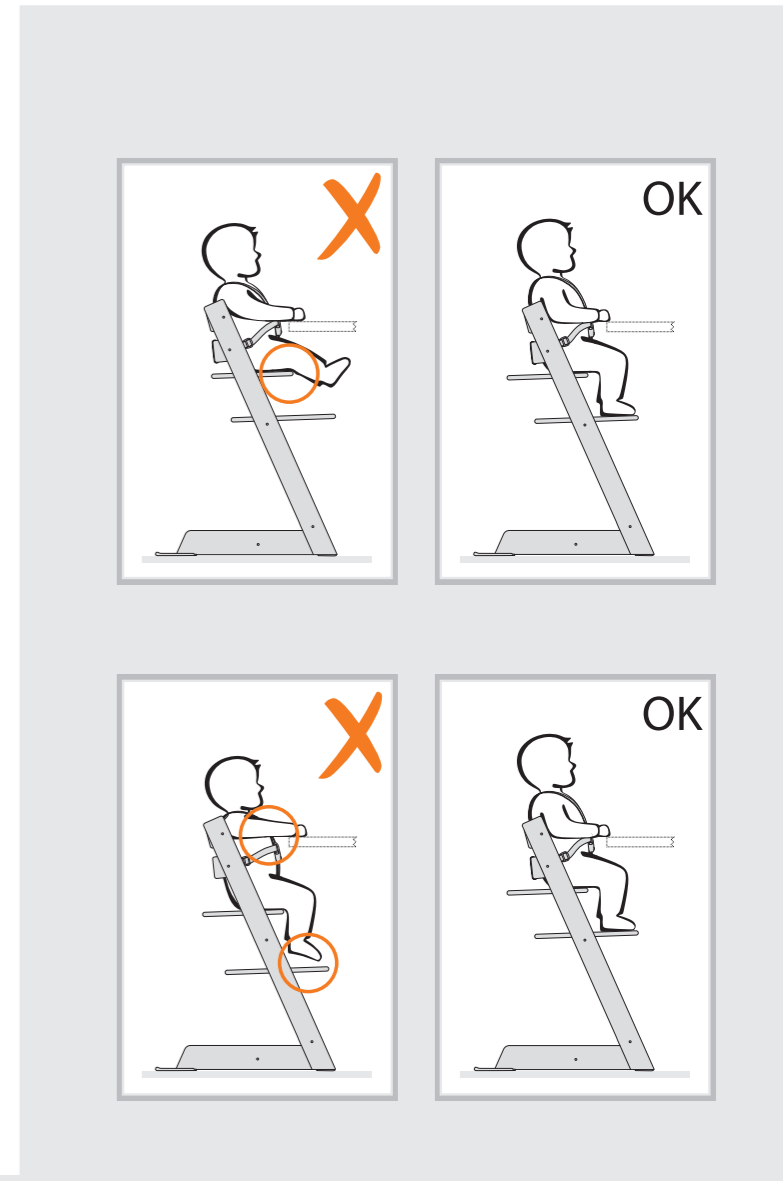
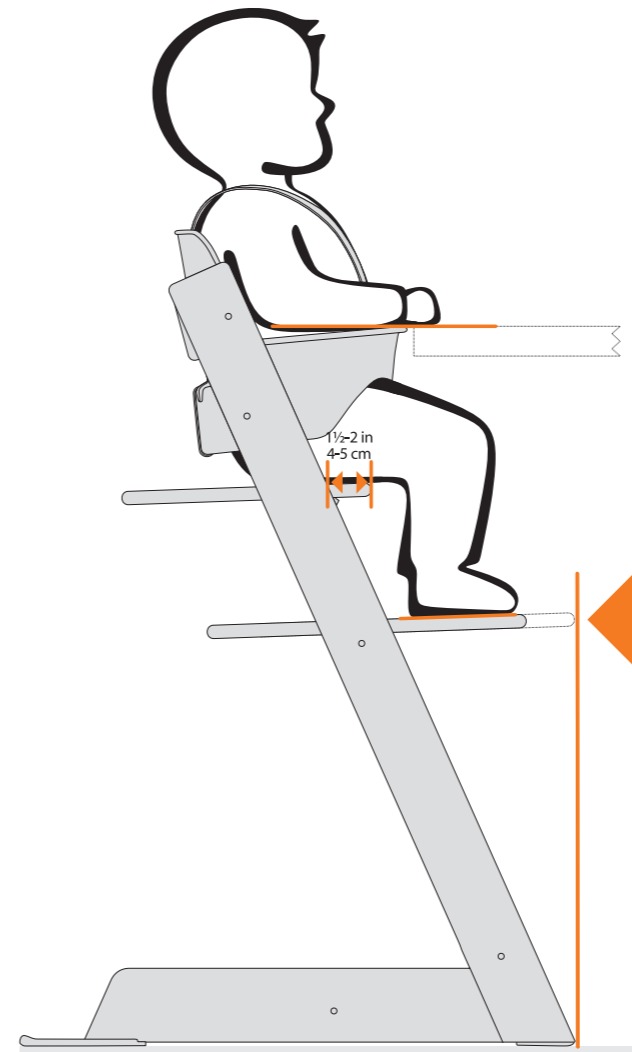
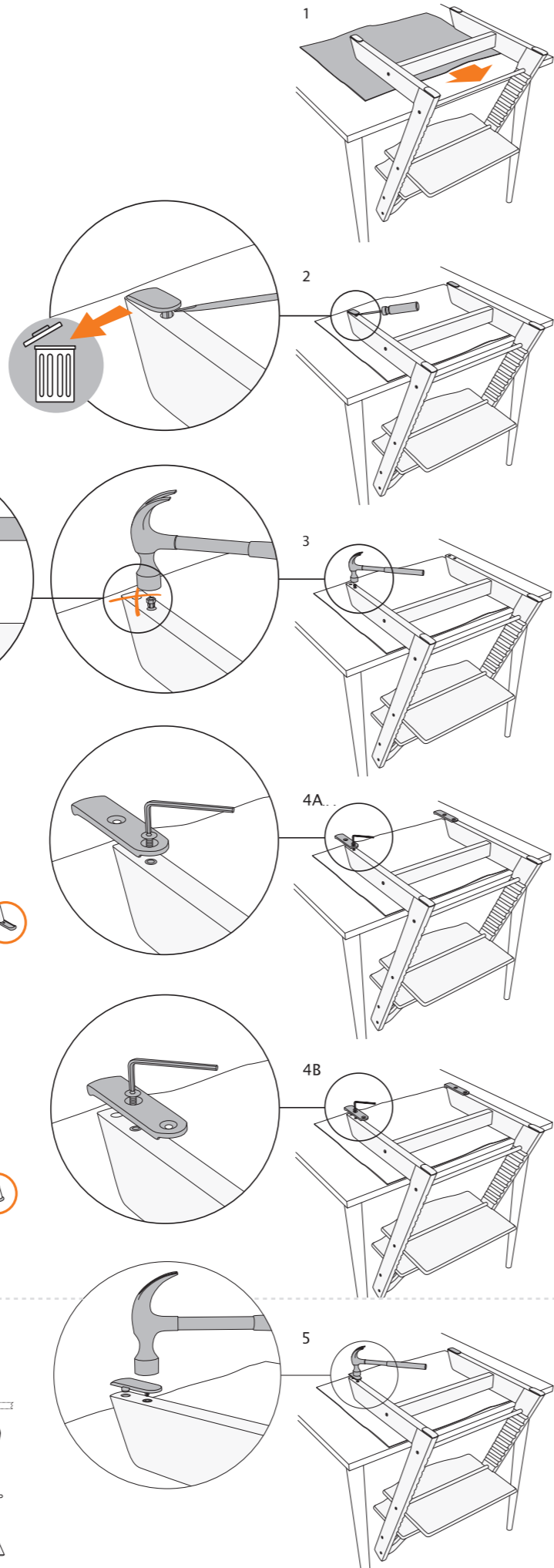
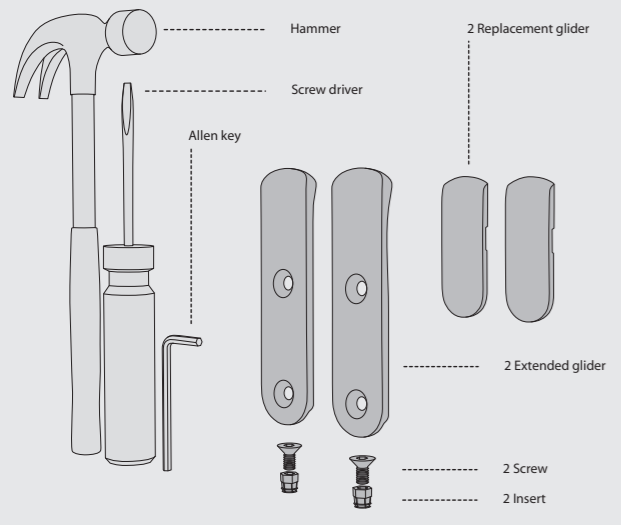


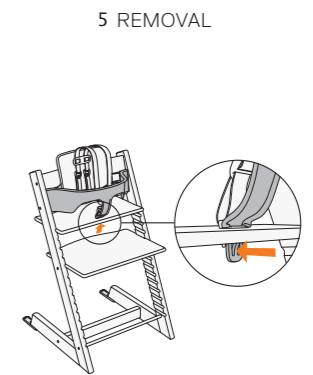
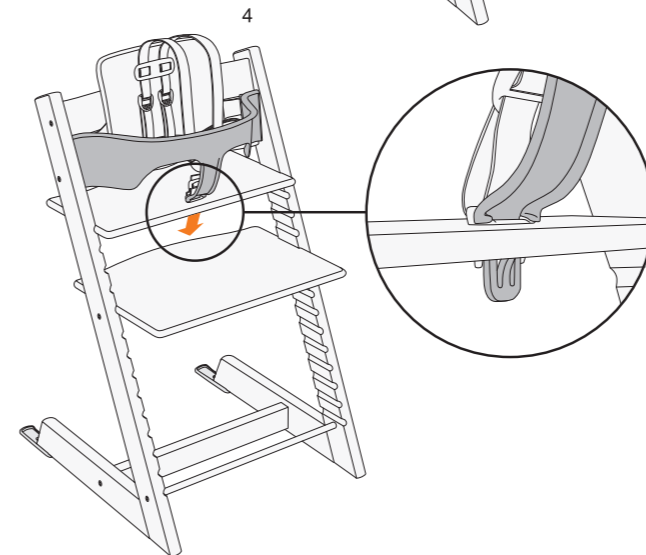
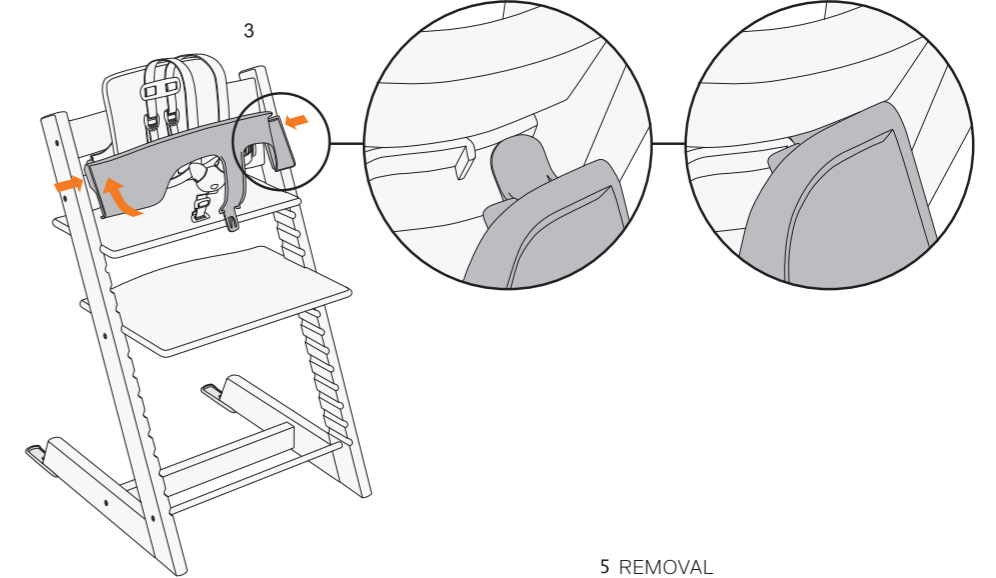
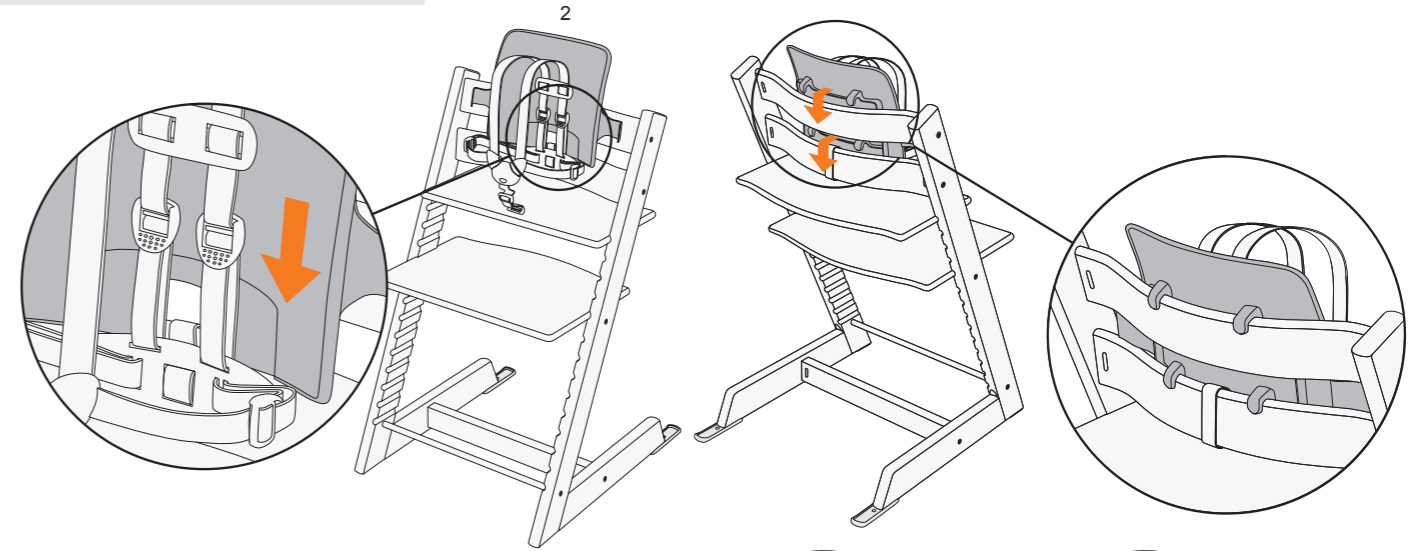
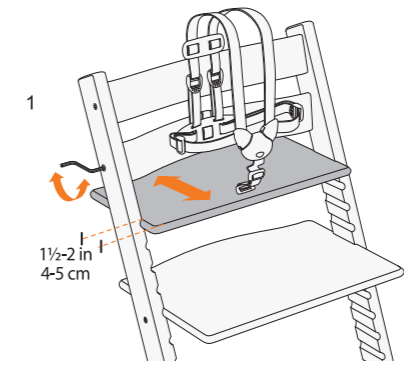
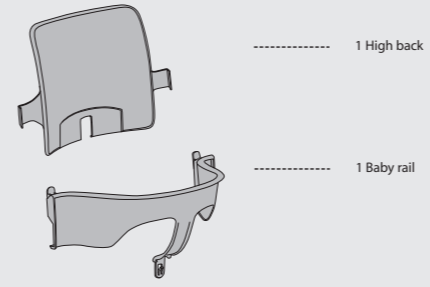
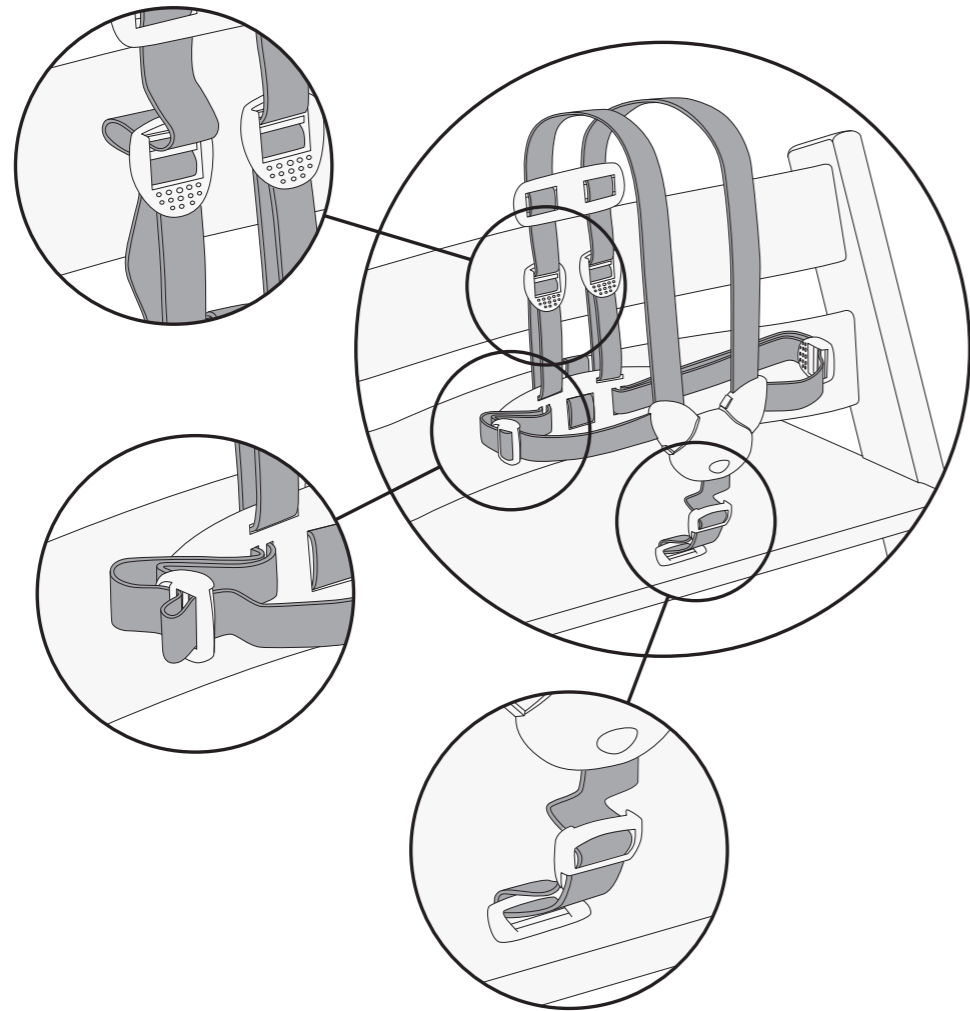
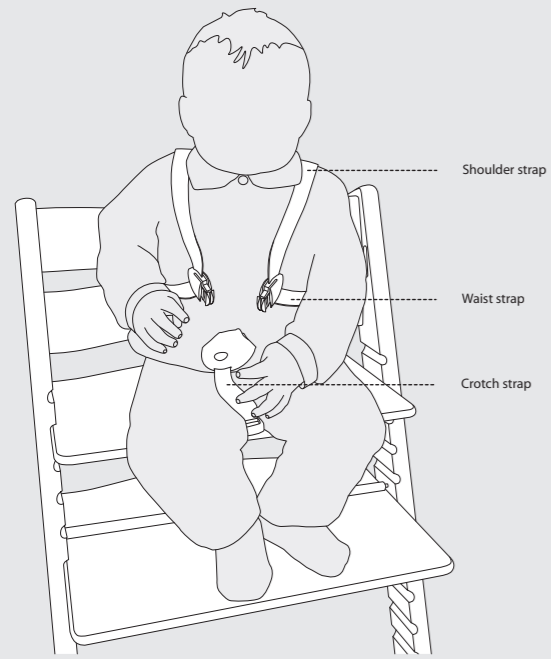
**US** Important to insert the shallow end of nut first!

**ES** Es importante insertar primero el lado poco profundo de la tuerca!

**FR** Il est important d'introduire le côté peu profond de l'écrou en premier !









## Why register your STOKKE® product?

The most important advantage of your registration is that this entitles an extended warranty\* on your Stokke® product:

TRIPP TRAPP® - 7 year warranty\*

### Other advantages

If you register your e-mail address, and accepting to receive information from Stokke®, you will:

- receive safety information and updates relevant to your Stokke® product, as it becomes available.
- be the first to get news, ideas and learn more about our products. If you have registered your child's age (optional), you will also receive information about adjustments of products, ideas and more as your child grows.

\*) Read full warranty description in the chapter "Warranty" in this user guide. Extended warranty does not apply to STOKKE® SITTI™ or accessories.

FR

Pourquoi enregistrer votre produit Stokke® ?

L'enregistrement vous offre l'avantage de bénéficier d'une garantie prolongée\* sur votre produit Stokke® :

TRIPP TRAPP® - Une garantie de 7 ans\*

### Autres avantages

Si vous enregistrez votre adresse mail et que vous acceptez de recevoir des informations de Stokke®, vous :

- recevrez des informations sûres et des actualisations sur votre produit Stokke® dès que celui-ci est disponible.
- recevrez nouveautés et idées en premier, tout en en apprenant plus sur vos produits. Si vous avez enregistré l'âge de vos enfants (facultatif), vous recevrez des informations sur les mises au point des produits, des idées et plus à mesure que votre enfant grandit.

\* Lisez toute la description de la garantie dans le chapitre « Garantie » dans ce guide utilisateur. La garantie prolongée ne s'applique ni à STOKKE® SITTI™ ni aux accessoires.

ES

¿Por qué registrar su producto Stokke®?

La ventaja más importante es que al registrarse conseguirá una garantía extendida\* de su producto Stokke®:

TRIPP TRAPP® - 7 años de garantía\*

### Otras ventajas

Si registra su dirección de correo electrónico y acepta recibir información de Stokke®, usted:

- recibirá, en cuanto sea disponible, información sobre seguridad y otras actualizaciones relevantes para su producto Stokke®;
- será el primero en recibir noticias e ideas, pudiendo así aprender más sobre nuestros productos. Si usted ha indicado la edad de su hijo (opcional), también recibirá información sobre ajustes de los productos, sugerencias y otra información conforme vaya creciendo su hijo.

\*) Lea la descripción completa de la garantía en el capítulo "Garantía" en esta Guía del Usuario. La garantía extendida no es aplicable para STOKKE® SITTI™ y accesorios.

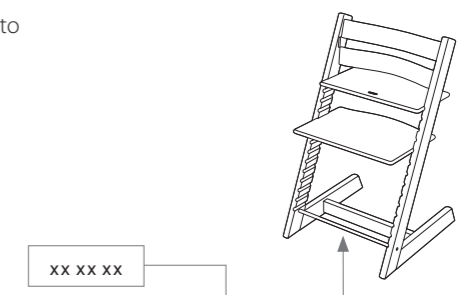
## STOKKE® Warranty card / Product registration card

See description of where to find the products serial number/date clock on your product. Use this information when filling out the Stokke warranty card / Product registration card. We recommend that you fill in this information at [www.stokke.com/guarantee](http://www.stokke.com/guarantee)

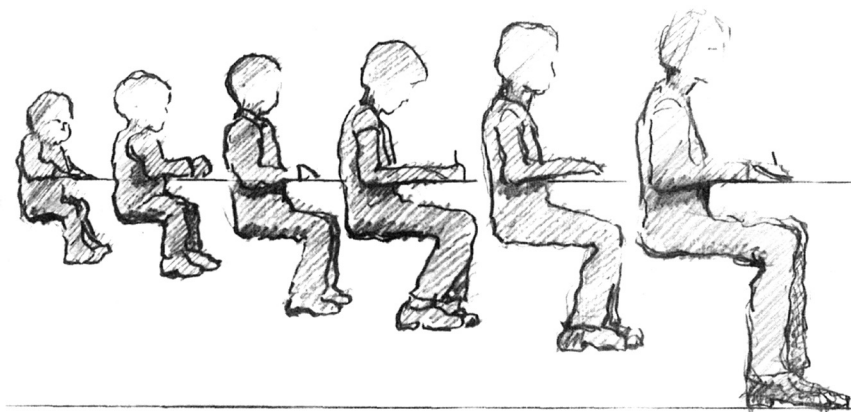
FR Consultez le descriptif pour trouver le numéro de série des produits / la date de fabrication de votre produit. Utilisez cette information quand vous remplissez le Certificat de garantie / la Fiche d'enregistrement du produit Stokke. Nous vous recommandons de compléter ces renseignements sur notre site <http://www.stokke.com/guarantee>

ES Vea la descripción relativa a dónde encontrar el número de serie/la fecha/hora de producción de su producto. Rellene la tarjeta de garantía/la tarjeta de registro del producto con esta información. Le recomendamos introducir estos datos en [www.stokke.com/guarantee](http://www.stokke.com/guarantee)

Product serial number / Numéro de série du produit / Número de serie del producto







Design: Peter Opsvik

**US**

PLEASE GO TO **stokkeusa.com**  
TO REGISTER YOUR PURCHASE!

This allows us to notify you  
of any future safety related  
information

Thank you for purchasing our  
product!

**ES**

¡POR FAVOR, VAYA A  
**stokkeusa.com** PARA  
REGISTRAR SU COMPRA!

Esto nos permitirá notificarle  
sobre cualquier información  
en relación a la seguridad en  
el futuro.

¡Gracias por comprar nuestro  
producto!

**FR**

MERCI DE VOUS RENDRE SUR  
**stokkeusa.com** POUR  
ENREGISTRER VOTRE ACHAT!

Ceci nous permet de vous  
transmettre des informations  
sur la sécurité de nos produits

Merci d'avoir acheté notre  
produit!

