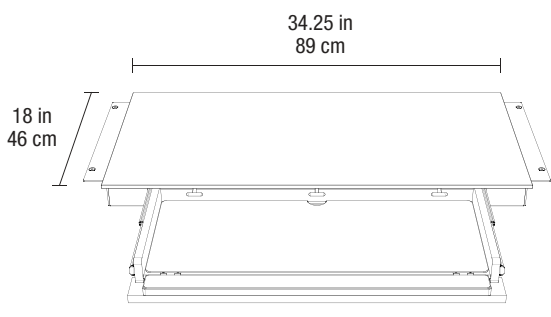


SEQUEL SYSTEM OPTIONS

SEQUEL is a versatile component system and these additional options provide more flexibility than ever before. Whether used in a home office or a corporate environment, the possible configurations are virtually endless. Here's a sampling of just a few of the offices that can be created with these SEQUEL SYSTEM additions.



- 6013 BRIDGE**
- Can be used to create a working credenza behind a Sequel Desk.
 - Bridge attaches securely between Cabinets 6014, 6015, 6016 & 6017 with steel supports located under the glass top.
 - Includes a neoprene-lined multifunction drawer to hold supplies, a keyboard & mouse and/or rechargeable items.
 - Wire management is integrated into the steel frame, keeping cables under control and out of view.



Overall Dimensions (W x D) 34.25 x 18 in ■ 89 x 46 cm
Weight 41 lbs ■ 19 kg

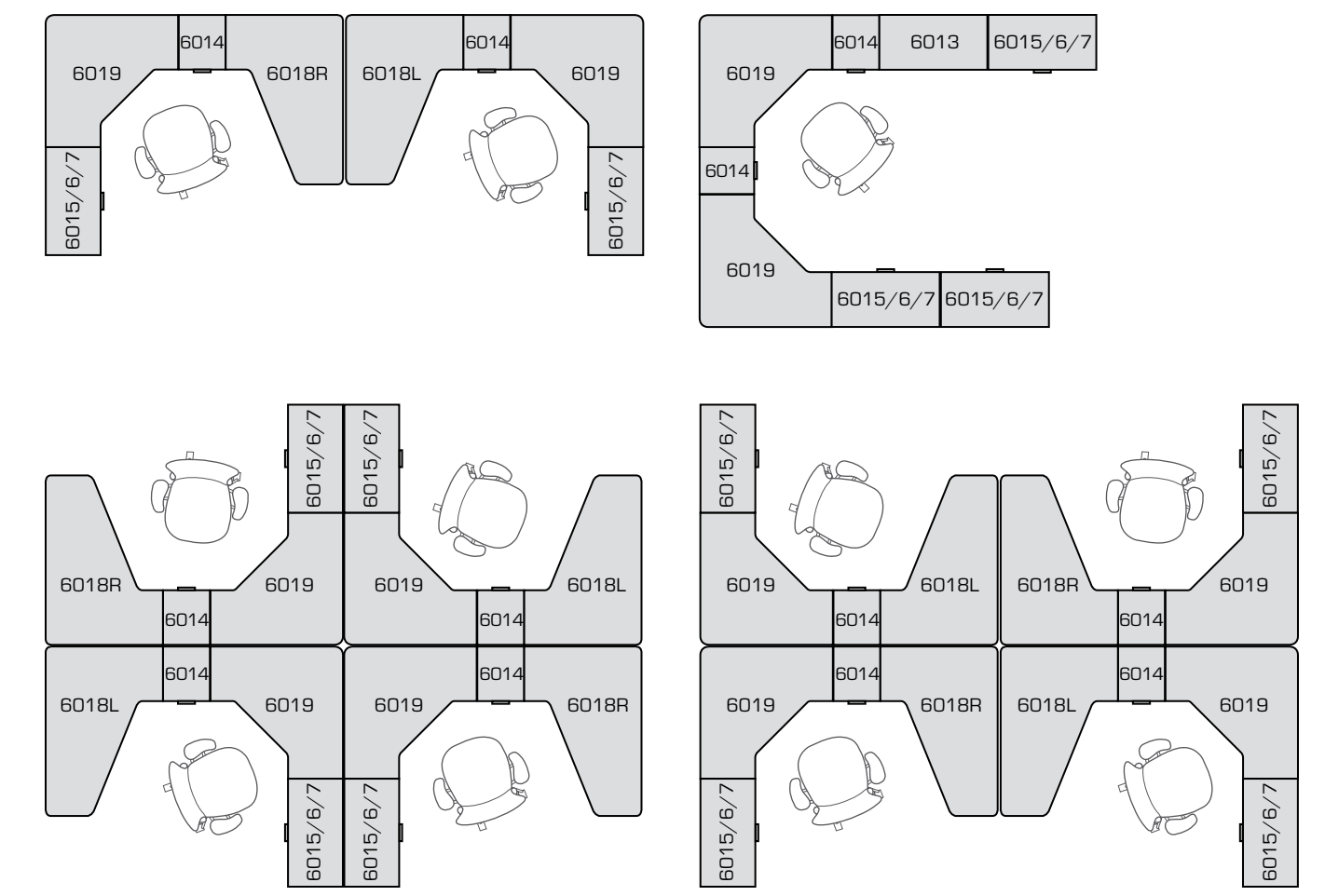


SEQUEL BRIDGE 6013 INCLUDES A MULTIFUNCTION DRAWER FOR A KEYBOARD, MOUSE AND/OR RECHARGEABLE ITEMS.



SEQUEL BRIDGE 6013 WITH 6016 LATERAL FILE AND 6017 MULTIFUNCTION CABINETS

SEQUEL[®] SYSTEM BDI's SEQUEL OFFICE offers even more options with the addition of the SEQUEL Bridge, Peninsula, Corner Desk and 3-Drawer Cabinet. These pieces extend the workspace, allowing customization to meet a range of needs. The Bridge extends between any of the SEQUEL Cabinets to create additional workspace. The Corner Desk makes excellent use of a corner with a small footprint. The Peninsula is great for a collaborative workstation with chairs on either side.

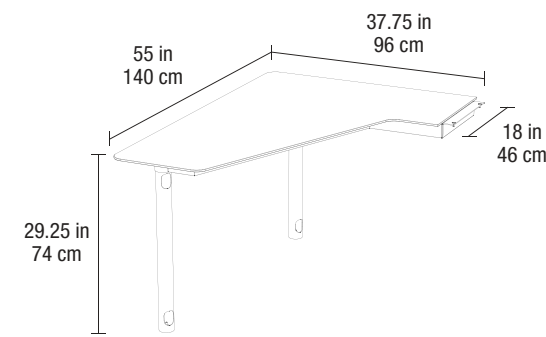


SCALE: 1/4" = 1'0"

SEQUEL® SYSTEM



LEFT-FACING PENINSULA 6018L



6018R / 6018L PENINSULA

- Available in left and right-facing models. Attaches securely to Cabinets 6014, 6015, 6016 & 6017 with steel supports located under the glass top.
- Perfect for a collaborative work environment with a chair on either side.
- Wire management channels are integrated into the steel frame and legs to keep cables organized and out of sight.

Overall Dimensions (H x W x D) 29.25 x 37.75 x 55 in ■ 74 x 96 x 140 cm
Weight 72 lbs ■ 33 kg



PENINSULA 6018'S LEGS INCLUDE CHANNELS TO KEEP POWER CORDS NEATLY OUT OF VIEW.



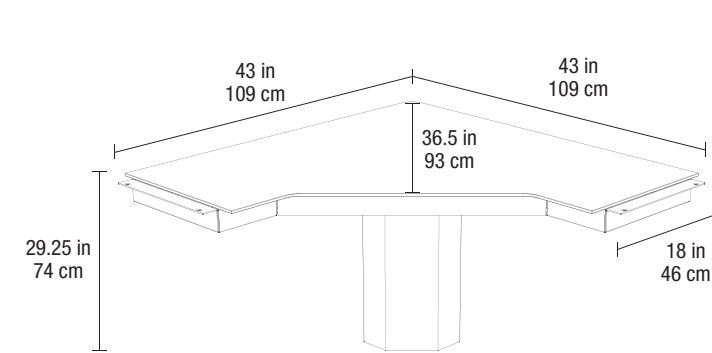
PENINSULA 6018 COMES IN LEFT AND RIGHT-FACING MODELS. LEFT-FACING 6018L SHOWN HERE.



6019 CORNER DESK

- Attaches securely between Cabinets 6014, 6015, 6016 & 6017 with steel supports located under the glass top.
- Includes a neoprene-lined multifunction drawer to hold supplies, a keyboard & mouse and/or rechargeable items.
- Wire management is integrated into the steel frame keeping cables controlled and out of view.

Overall Dimensions (H x W x D) 29.25 x 43 x 43 in ■ 74 x 109 x 109 cm
Weight 93 lbs ■ 43 kg



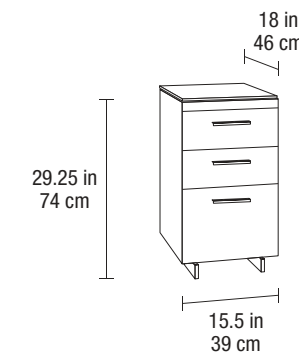
CORNER DESK 6019'S SUPPORT COLUMN CONCEALS WIRES, A POWER STRIP AND/OR A ROUTER (NOT INCLUDED).



6014 3-DRAWER CABINET

- Micro-etched glass top beautifully extends the workspace.
- Along with Cabinets 6015, 6016 & 6017, this cabinet can be used as an anchor for the Bridge 6013, Peninsula 6018 and Corner Desk 6019.
- Includes two storage drawers and a file drawer for hanging letter or legal-sized folders.
- Model 6014 is available in Sequel's standard finishes: Natural Stained Cherry, Espresso Stained Oak and Natural Walnut.

Overall Dimensions (H x W x D) 29.25 x 15.5 x 18 in
 74 x 39 x 46 cm
Weight 83 lbs ■ 37 kg



PENINSULA 6018R WITH 6017 MULTIFUNCTION CABINET



SEQUEL CORNER DESK 6019 WITH 6014 3-DRAWER AND 6016 LATERAL FILE CABINETS

DESIGN
 MATTHEW WEATHERLY

For the most up-to-date product specifications, visit www.bdiusa.com. BDI's products are protected by US patent, international patent, trade dress, and/or copyright laws. "Sequel" and BDI are trademarks of Becker Designed Inc. All rights reserved. Refer to current price list or contact BDI for specific model and finish availability. Materials and specifications subject to change without notice. BDI products are packaged with recyclable materials. ©2011, BDI

