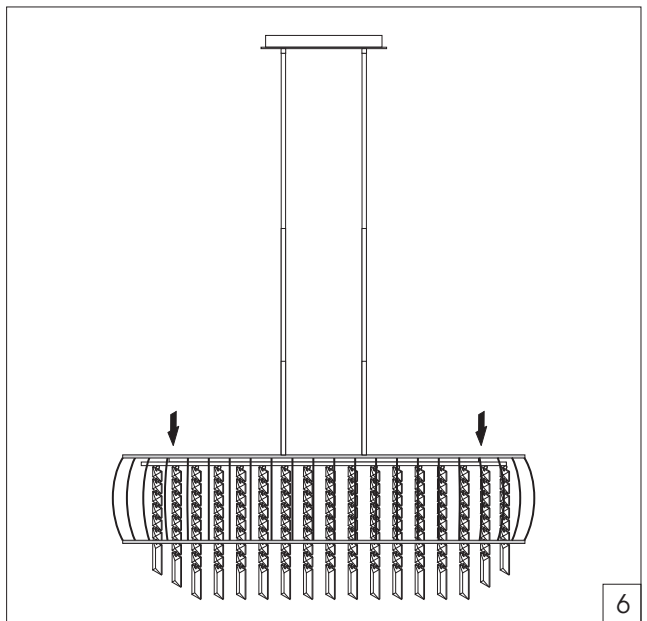
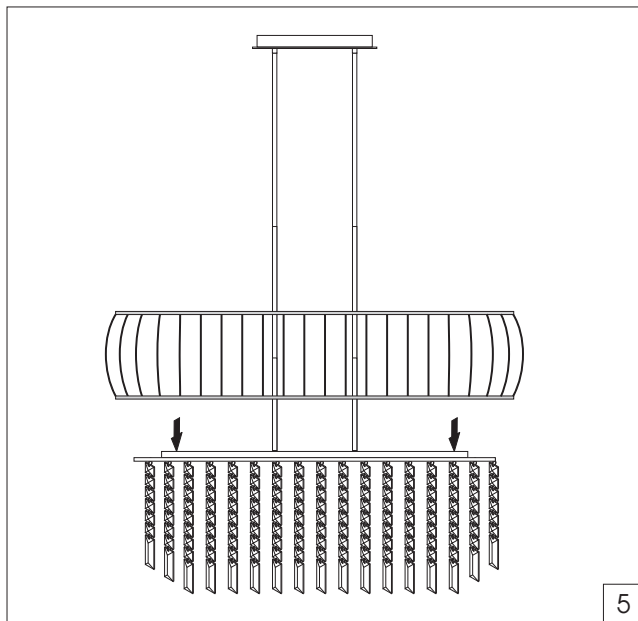
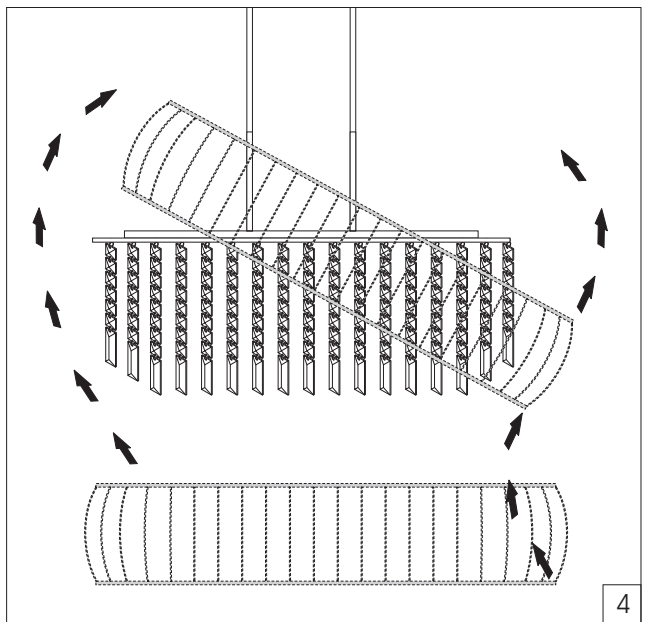
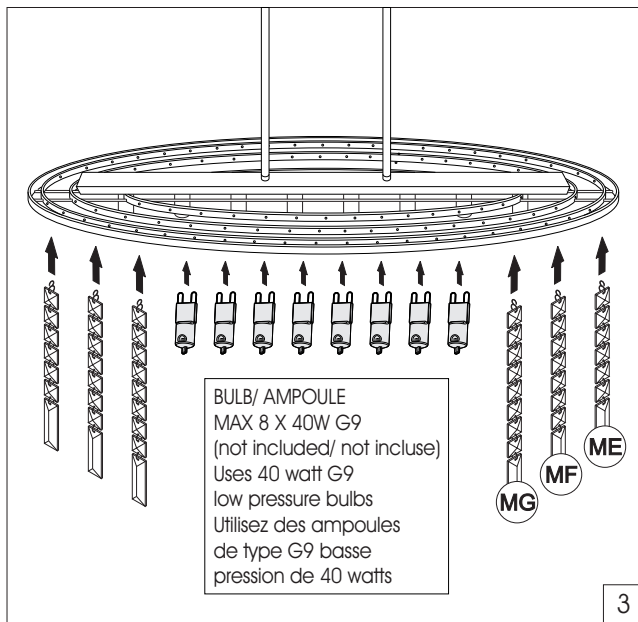
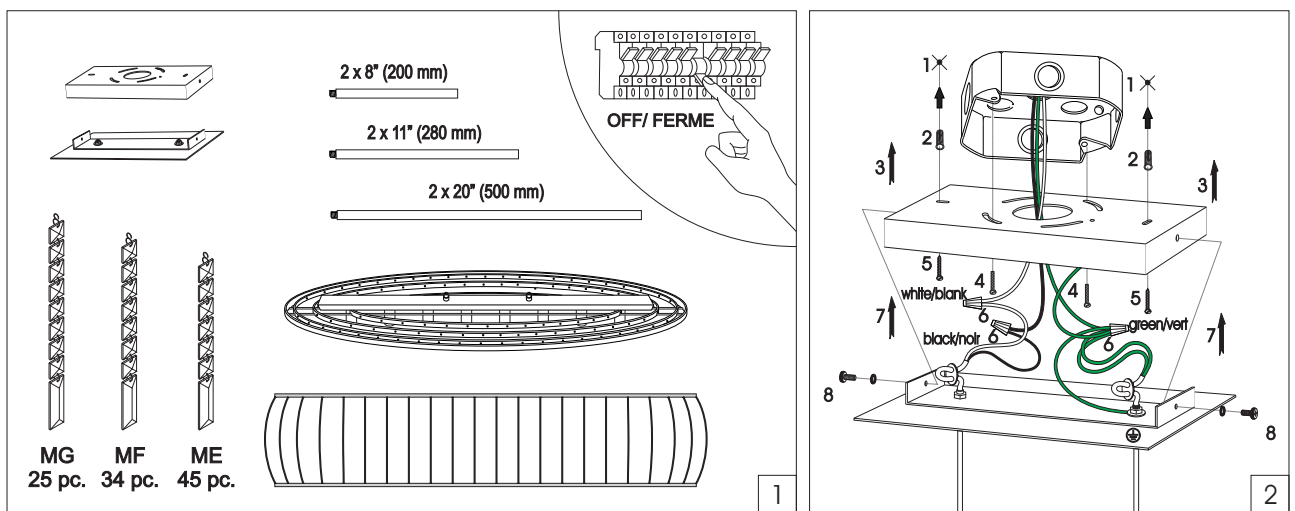


MAYA-42-8



Cleaning Instructions: The Lycra or sports fabric material used on the MAYA series fixtures should be carefully cleaned with mild soap and water. The fabric should be padded dry and left to air dry or use a hair dryer on low. Do not iron or put the fabric near high heat.