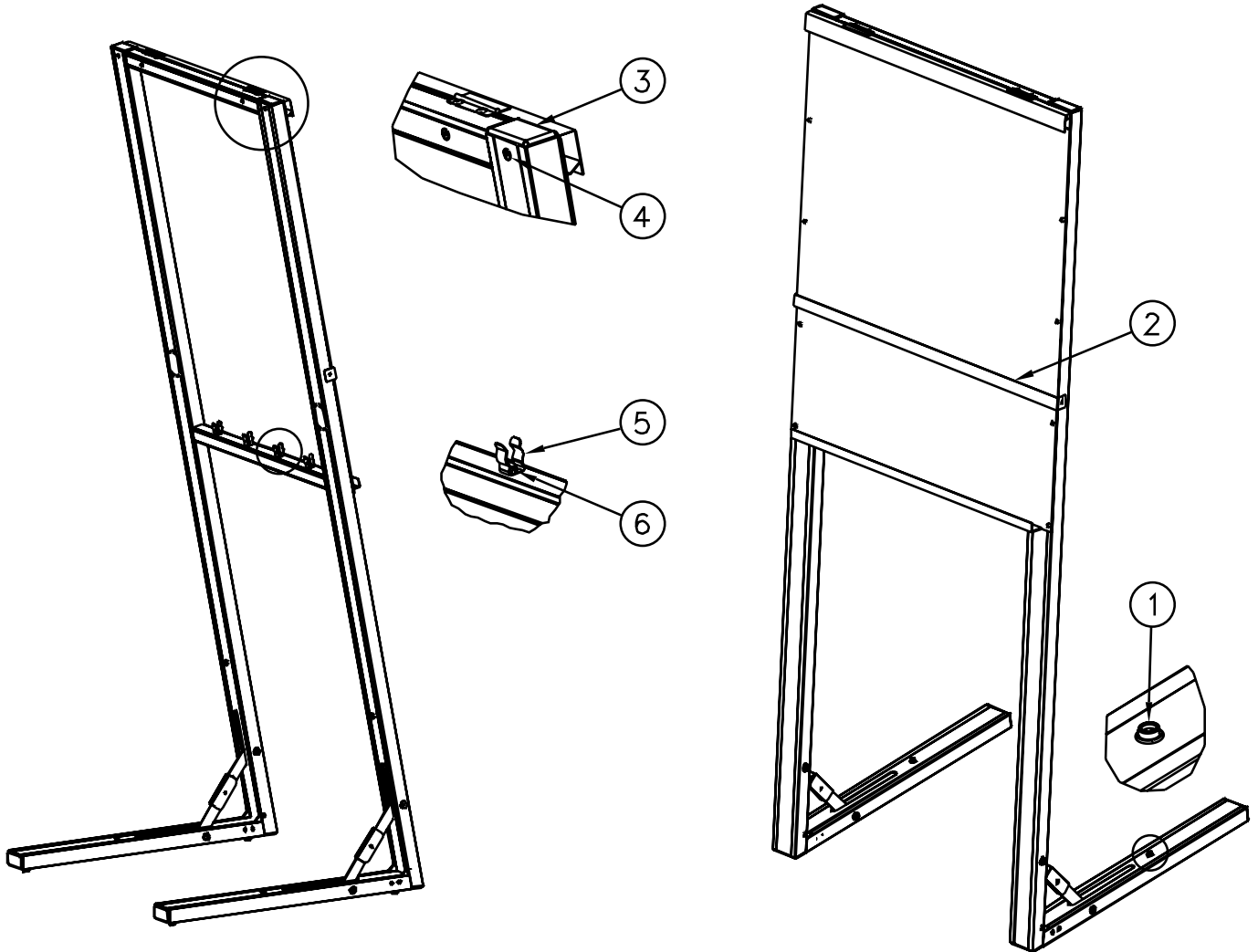


DESIGNER EASEL

Diagram No.	Da-Lite Part No.	Description	Quantity Required	List Price Each
1	47441	Snap stud	2	\$0.60
2	59059	Paper pad strap assembly	1	9.20
3	91775	Plug, black plastic 1.25" x 2.50"	6	1.04
4	82998	Screw, #6 x .500	10	0.16
	52703	Screw, #6 black for black easel	10	0.10
5	51497	Fuse clip	4	1.24
6	52751	Screw, #10 x .500	4	0.28
	77763	Carton A-frame, non-folding	1	26.00
	78072	Carton filler, non-folding	2	4.00

FOLDING DESIGNER EASEL



FOLDING DESIGNER EASEL

Diagram No.	Da-Lite Part No.	Description	Quantity Required	List Price Each
1	47441	Snap stud	2	\$0.60
2	59059	Paper pad strap assembly	1	9.20
3	91775	Plug, black plastic 1.25" x 2.50"	6	1.04
4	82998	Screw, #6 x .500	10	0.16
	52703	Screw, #6 black for black easel	10	0.10
5	51497	Fuse clip	4	1.24
6	52751	Screw, #10 x .500	4	0.28
7	99148	Left latch assembly	1	15.60
	99148K	Left latch assembly, black for black easel	1	15.60
8	99150	Right latch assembly	1	15.60
	99150K	Right latch assembly, black for black easel	1	15.60
	48564	Carton A-frame, folding	1	23.20
	48565	Carton filler, folding	1	7.00