



BOARDROOM ELECTROL®

Automatic Electric Projection Screen Model
SPECIFICATION DATA

DA-LITE SCREEN COMPANY, INC.
3100 North Detroit Street
Post Office Box 137
Warsaw, Indiana 46581-0137
Phone: 574-267-8101
800-622-3737
Fax: 574-267-7804
Toll Free Fax: 877-325-4832
www.da-lite.com
e-mail: info@da-lite.com

SUGGESTED SPECIFICATIONS: _____ projection screen(s), _____ (H) x _____ (W), electrically operated 120 volt (60Hz), not more than 2.4 amp. Shall have specially designed motor mounted inside the roller, to be three wire with ground, quick reversal type, oiled for life, with automatic thermal overload cutout, integral gears, capacitor and an electric brake to prevent coasting. To have preset but adjustable limit switches to automatically stop picture surface in the "down" position. The roller to be of rigid metal. Screen fabric to be flame retardant and mildew resistant fiberglass with black masking borders standard. Bottom of fabric shall be formed into a pocket holding a metal rod. The ends of the rod shall be protected by heavy-duty plastic caps. Case to be of wood with metal-lined wiring compartment. A section of the bottom of the case shall be a door equipped with hinges so that it opens and closes automatically with the lowering and raising of the picture surface. When the picture surface is being lowered, the door shall drop open by gravity. When the picture surface is being raised, the two ends of the slat in the bottom pocket of the screen fabric shall engage two hooks on the door to lift it to the closed position where the door will engage a micro switch that will cut off the electrical current to the motor. The balance of the bottom of the case shall be a second hinged door with manual opening to provide access. Hinges shall be mounted to allow matching of the doors to the ceiling. Case to be finished with a black primer coat, ready to accept final finish by others. To be complete with three position control switch with cover plate. Screen to be listed by Underwriters' Laboratories.

Matte White: Seamless in all sizes.

Video Spectra 1.5: Available in sizes where both dimensions do not exceed 8'.

High Power®: Available in sizes up to 9'x 12'. Horizontal seam required when both dimensions exceed 6'.



WHEN ORDERING, MARK APPROPRIATE SELECTIONS:

Select size from charts on other side.

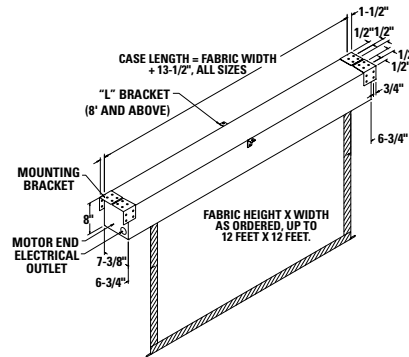
Select viewing surface:

- Matte White
- Video Spectra 1.5
- High Power
- High Contrast High Power
- GREENGUARD® and GREENGUARD® Children and Schools Certified.

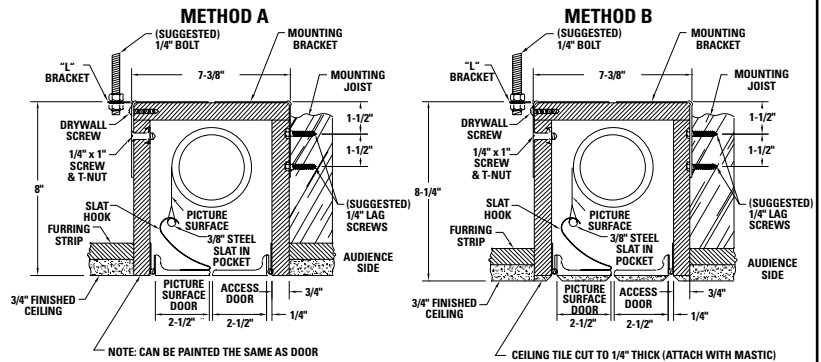
Optional Accessories:

- Extra Drop available to lower picture area more than normal.
Specify total drop at top _____ (black or white) or at bottom _____ (black or white). 13' maximum total surface height including picture area.
- Single Motor Low Voltage Control (LVC) - external.
- Wireless Remote Control for LVC.
 - Radio Frequency Remote.
 - Radio Frequency Range Extender available
 - Infrared Remote.
- Key Locking Cover Plate for 120V or LVC Switch.
- Silent Motor.
- Key Operated Switch for 120V only (NOTE: Cannot be used with LVC).
- No Borders (Black masking borders standard).
- 220 Volt (50 Hz) Motor.
- Video Projector Interface Control - external.
- External SCB-100 - RS-232 Serial Control Board
 - NET-100 Ethernet-Serial Adapter
- White doors (brushed aluminum standard).
- White box (black standard).

SUGGESTED METHODS OF INSTALLATION

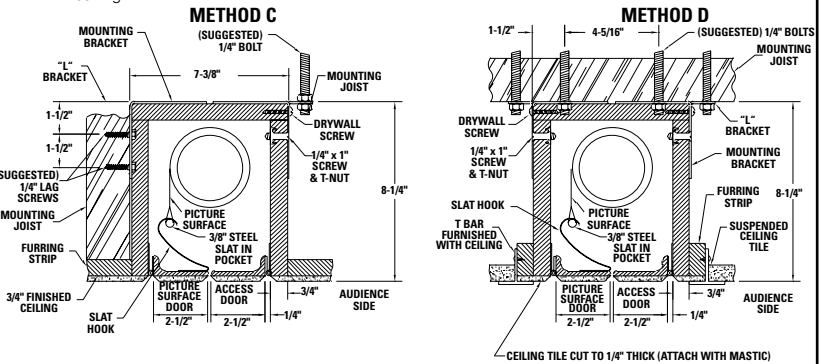


Select installation method according to ceiling type.



Offset mounting, recessed above ceiling. For plaster, dry wall, tile or paneling. Doors and bottom of case painted same finish as ceiling.

Offset mounting, recessed above ceiling. May be adapted for 3/4" ceiling, but cut to 1/4" thick under doors and screen case.



Flush mounting, recessed above ceiling. May be adapted for 1/4" paneling for ceiling and doors.

Flush mounting, recessed above ceiling. For use with dropped ceiling. May also be adapted for use with acoustical or other ceiling 3/4" thick but cut to 1/4" thick under doors and screen case.

Project: _____

Architect: _____

Phone: _____

Contractor: _____

Phone: _____

Supervisor: _____

Phone: _____

Supplier: _____

Date: _____

Revised: _____

VIDEO (NTSC 4:3) FORMAT DIMENSIONS (2" standard black drop at top)

Viewing Area		Nominal Diagonal		*Overall Length of Case		Approx. Ship. Wt.	
H x W	Cm	In.	Cm	In.	Cm	Lbs.	Kg
43" x 57"	109 x 145	72"	183	73½"	187	72	32.7
50" x 67"	127 x 170	84"	213	83½"	212	80	36.3
57" x 77"	145 x 196	96"	244	97½"	248	90	40.8
60" x 80"	152 x 203	100"	254	97½"	248	91	41.3
69" x 92"	175 x 234	120"	305	109½"	278	101	45.8
87" x 116"	221 x 295	150"	381	133½"	339	136	61.7
105" x 140"	267 x 356	180"	457	157½"	400	164	74.4
120" x 160"	305 x 406	200"	508	177½"	441	188	85.3

HDTV (16:9) FORMAT DIMENSIONS (2" standard black drop at top)

Viewing Area		Nominal Diagonal		*Overall Length of Case		Approx. Ship. Wt.	
H x W	Cm	In.	Cm	In.	Cm	Lbs.	Kg
45" x 80"	114 x 203	92"	234	97½"	248	91	41.3
52" x 92"	132 x 234	106"	269	109½"	278	101	45.8
54" x 96"	137 x 244	110"	279	113½"	288	112	50.8
58" x 104"	147 x 264	119"	302	121½"	309	122	55.3
65" x 116"	165 x 295	133"	338	133½"	339	136	61.7
78" x 139"	198 x 353	159"	404	157½"	400	155	70.3
90" x 160"	229 x 406	184"	467	177½"	451	188	85.3

WIDE (16:10) FORMAT DIMENSIONS (2" standard black drop at top)

Viewing Area		Nominal Diagonal		*Overall Length of Case		Approx. Ship. Wt.	
H x W	Cm	In.	Cm	In.	Cm	Lbs.	Kg
50" x 80"	127 x 203	94"	239	97½"	248	91	41.3
57½" x 92"	146 x 234	109"	277	109½"	278	101	45.8
60" x 96"	152 x 244	113"	287	113½"	288	112	50.8
69" x 110"	175 x 279	130"	330	127½"	324	120	54.4
72½" x 116"	184 x 295	137"	348	133½"	339	136	61.7
87" x 139"	221 x 353	164"	417	157½"	400	155	70.3
100" x 160"	254 x 406	189"	480	177½"	451	188	85.3

SQUARE FORMAT DIMENSIONS (screens with ^ have 2" standard black drop at top)

Sizes		*Overall Length of Case		Approx. Ship. Wt.	
H x W	Cm	In.	Cm	Lbs.	Kg
50" x 50"	127 x 127	63½"	161	64	29.0
60" x 60"	152 x 152	73½"	186	73	33.1
70" x 70"	178 x 178	83½"	211	83	37.7
84" x 84"	213 x 213	97½"	248	95	43.1
6' x 8'^^	183 x 244	109½"	278	101	45.8
8' x 8'	244 x 244	109½"	278	105	47.6
7' x 9'^^	213 x 274	121½"	309	112	50.1
9' x 9'^^	274 x 274	121½"	309	119	54.0
8' x 10'^^	244 x 305	133½"	339	134	60.8
10' x 10'^^	305 x 305	133½"	339	141	64.0
9' x 12'^^	274 x 366	157½"	400	164	74.4
12' x 12'	366 x 366	157½"	400	168	76.2

* Add 3" to overall length of case for mounting brackets.

Overall case length dimensions ±¼" (6 mm).

Detail dimensional drawings, wiring diagrams and installation instructions available upon request.

Specifications subject to change without notice.

Custom formats and sizes available upon request.