

PRE-INSTALLATION

1. Carefully unpack screen.
2. Make sure to recheck measurements of screen location before installation.
3. Remove instruction cover plate (Fig. 2). Do not remove wrapping paper or tape strips until screen is installed.

IRONING BOARD

Professional Electrols, 14' and over, contain an ironing board to flatten the fabric (long strip attached). The ironing board is part of the screen case. Do not remove or alter (Fig. 1).

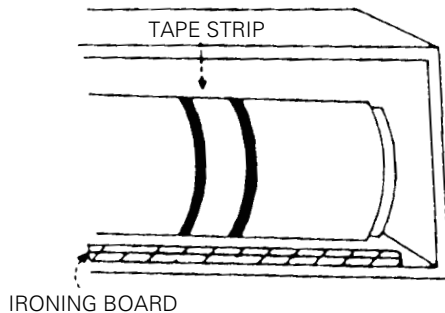


FIGURE 1

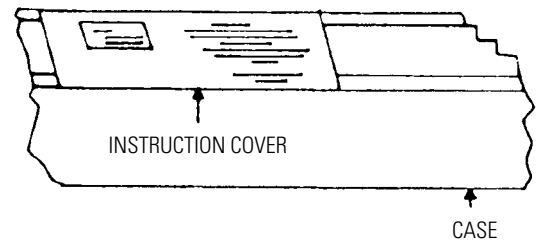


FIGURE 2

INSTALLATION

Hangers (If required)

1. Make sure a hanger is approximately 11-1/2" from each end of case.
2. Place third hanger on the center line of the fabric.
3. Make sure hangers are placed to fit into notches of ironing board.

Installation

1. Level unit lengthwise with a carpenter's plum level.

CAUTION! DO NOT COMPLETELY SEAL IN UNIT. ACCESS ROOM MUST BE ALLOWED FOR MOTOR REPAIR OR FABRIC REPLACEMENT.

2. Remove shipping brace by removing 2 hex head screws (Fig. 3).
3. Remove wrapping paper and tape strips (Fig. 3).

CAUTION! DO NOT CUT WRAPPING PAPER OR TAPE WITH KNIFE OR ANY SHARP TOOL. REMOVE BY HAND.

4. Install electrical hook up that applies to your unit. Make sure to review your Electrical Installation Checklists and wiring diagrams (included) for either 110 volt switch, 220/240 volt switch, or DRC low voltage control.
5. Test installation by carefully running surface up and down several times. Be prepared to stop screen.

NOTE: The picture surface, when rolled down, should have at least a full wrap and a half around the roller. Do not allow any part of the roller to become exposed.

SCREEN ADJUSTMENT

Surface travel is stopped automatically in the fully opened and closed positions by limit switches that are properly adjusted at Da-Lite. Should it be necessary to adjust more or less drop of picture, proceed in the following manner:

CAUTION! WHEN ADJUSTING AND TESTING, BE PREPARED TO STOP SCREEN QUICKLY AS SERIOUS DAMAGE MAY OCCUR.

NOTE: Use a screw driver or allen wrench to make adjustments.

MORE SCREEN DROP

1. Place operating switch in "down" position.
2. When the screen stops, turn the white "down" limit knob (Fig.3) one-quarter turn counterclockwise. Test by raising picture surface approximately two feet, then lower again. Repeat until desired picture surface position is attained.

NOTE: Must leave at least 1-1/2 wraps of fabric on roller.

LESS SCREEN DROP

1. Raise picture surface approximately two feet above desired level.
2. Place operating switch in "off" position.
3. Turn the white "down" limit switch (Fig. 3) one-quarter turn clockwise. Test by raising picture surface approximately two feet, then lower again. Repeat until desired picture surface position is attained.

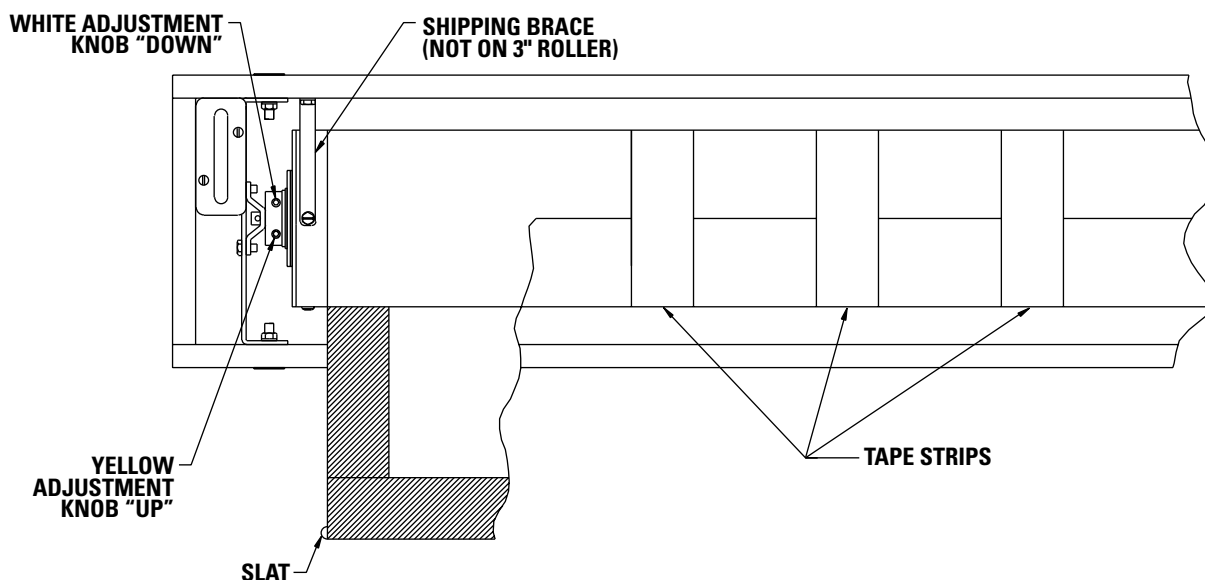
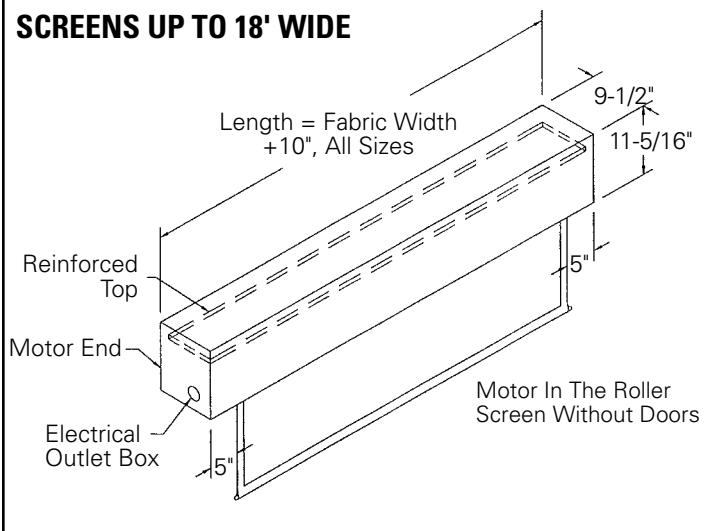
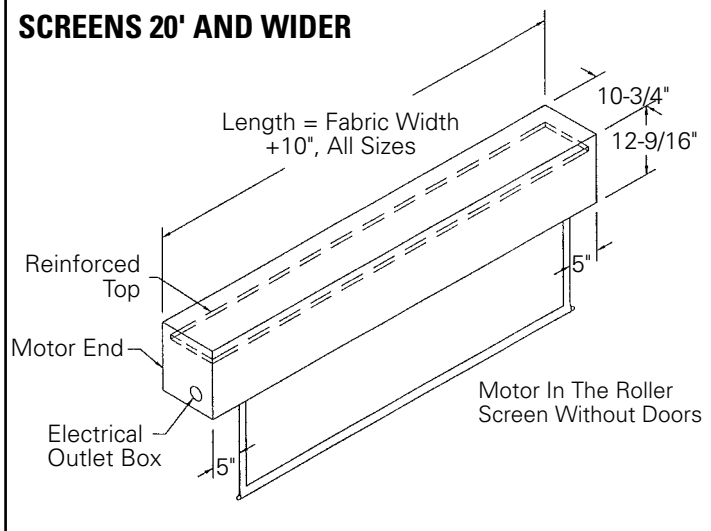


FIGURE 3

SCREENS UP TO 18' WIDE

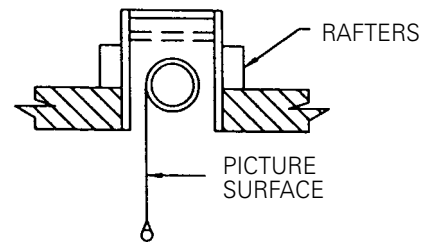
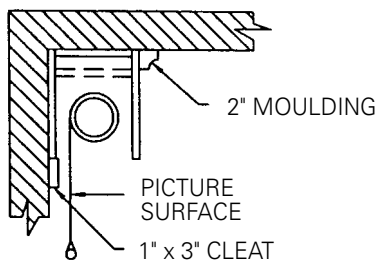
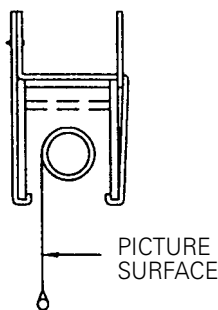


SCREENS 20' AND WIDER



SUGGESTED METHODS OF INSTALLATION

CEILING TYPE HANGER



CEILING MOUNT WITHOUT HANGERS

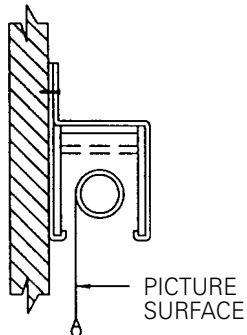
Screen case is placed flush with the wall and ceiling and held in position by moulding securely attached to the wall.

RECESSED ABOVE CEILING

Other methods of installation will suggest themselves in new buildings where it would be an easy matter to provide a recess for the screen to conceal it when not in use.

Do not seal in—allow access.

WALL TYPE HANGER



WALL OR CEILING MOUNT WITH HANGERS

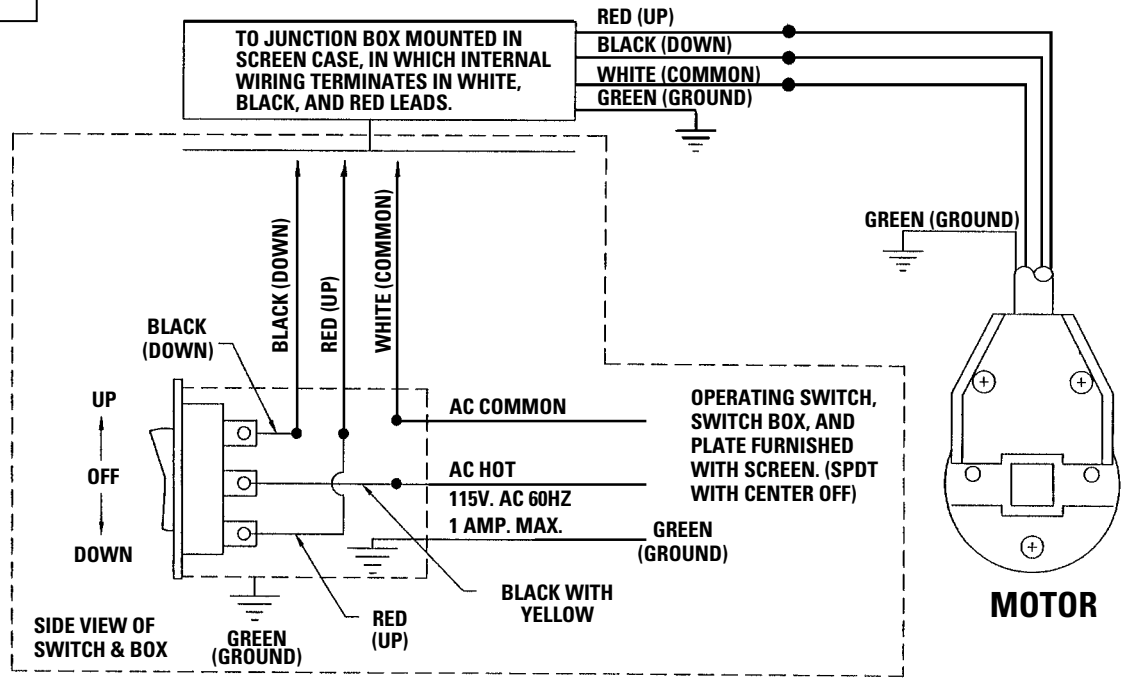
Wall type hangers and ceiling type hangers are standard equipment. One set is supplied with each screen. Useful for recessed installations.

FOR EXPOSED INSTALLATION

If the screen is to be mounted in an exposed position, it may be covered with finished plywood, veneer, paneling, plastic wall covering or a valance.

120V WIRING DIAGRAM

IN MULTIPLE CONTROL INSTALLATIONS THE SWITCH IS REPLACED BY THE LOW VOLTAGE CONTROL, OPERATED FROM PUSH BUTTON STATIONS.



THIS SWITCH CANNOT BE USED WITH L.V.C.

NOTE: A SINGLE SWITCH CANNOT BE USED TO OPERATE MORE THAN ONE SCREEN. CONTACT THE FACTORY FOR FURTHER INFORMATION.

240 VOLT WIRING DIAGRAM FOR STANDARD WALL SWITCH:

Da-Lite offers two styles of 240 volt wall switches for standard operation. Please see wiring diagram included in wall switch box included with screen.

TROUBLESHOOTING

SYMPTOM	CAUSE	SOLUTION
<p>1. Screen will not operate or will not go "down." Motor does not hum.</p> <p>Motor hums.</p>	<p>(a) Blown facility fuse. (b) Tripped facility circuit breaker. (c) No power to operating switch or junction box.</p> <p>Power at junction box</p> <p>(d) Thermal overload tripped. (e) Broken wire in the "down" position. (f) Defective motor, limit switch or capacitor. (g) Temporary binding. (h) Capacitor burned out.</p>	<p>(a) Replace facility fuse. (b) Reset facility circuit breaker. (c) Check above. Tighten all loose wire connections. Recheck wiring. See installation instructions.</p> <p>"Down" Position Check for power across black and white leads. (d) Let motor cool down for 15 minutes. Try again. (e) Check for continuity. (f) Replace motor assembly. NOTE: Motor is a sealed assembly. (g) With power "off," turn roller by hand to free binding. (h) Replace motor assembly.</p>
<p>2. Screen will not move upward. Motor does not hum.</p> <p>Motor hums.</p>	<p>(a) Blown facility fuse. (b) Tripped facility circuit breaker. (c) No power to operating switch or junction box.</p> <p>Power at junction box</p> <p>(d) Thermal overload tripped. (e) Broken wire in the "up" position. (f) Defective motor, limit switch or capacitor. (g) Temporary binding. (h) Capacitor burned out.</p>	<p>(a) Replace facility fuse. (b) Reset facility circuit breaker. (c) Check above. Tighten all loose wire connections. See above.</p> <p>"Up" Position Check for power across red and white leads. (d) Let motor cool down for 15 minutes. Try again. (e) Check for continuity. (f) Replace motor assembly. NOTE: Motor is a sealed assembly. (g) With power "off," turn roller by hand to free binding. (h) Replace motor assembly.</p>

TROUBLESHOOTING

SYMPTOM	CAUSE	SOLUTION
3. "Down" limit switch incorrect.	(a) "Down" limit switch out of adjustment	(a) See installation instructions
4. Noise NOTE: Screen will operate with a low-pitched hum.	(a) Squeaking, rubber end plug rubbing on motor. (b) Grinding. Foreign object in screen rubbing on roller or fabric. (c) Gear noise.	(a) Center roller between mounting brackets by pushing roller away from motor end. (b) Remove foreign object. (c) Replace motor assembly.
5. Coasting	(a) Defective brake.	(a) Replace motor assembly.
6. Roller displaced from mounting bracket.	(a) Pin end slipped out of nylon bearing.	(a) Remove pin end mounting. Realign motor in tube. Reattach pin end.
7. Fabric hangs crooked.	(a) Screen not installed properly. (b) Fabric has backed up inside case. (c) Fabric is damaged.	(a) Check for level and plumb. (b) Adjust "down" limit switch slowly until roller is exposed and wrinkle comes out, then readjust for proper drop. (c) Replace fabric.

