

**PIXMate** READY-TO-ASSEMBLE PROJECTION CARTS



PM2-42J

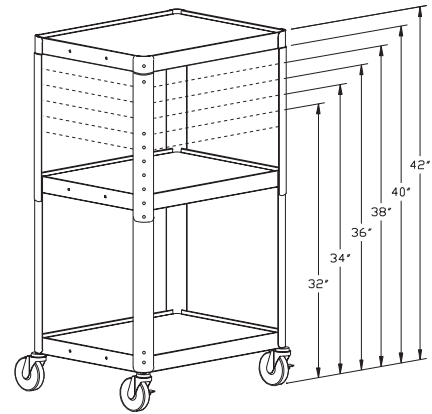


PM2C-34



PM2-26

- Easy to assemble.
- PM2 models offer 18" x 24" top shelf and are available in heights from 17"- 42".
- "J" in model name indicates height adjustable in 2" increments.
- Fixed center shelf with 34" and 42" high models.
- Cabinet models offer storage cabinet measuring 18" D x 24" W with 17 1/4" H opening.
- Optional UL listed six outlet surge suppressor or three outlet electrical assembly with cord wind bracket available.



PM2-42J

**PIXMATE WITH 18" X 24" TOP SHELF**

Model	Dimensions H x W x D	
	in.	cm.
PM2-17	17" x 24" x 18"	43 x 61 x 46
PM2-26	26" x 24" x 18"	66 x 61 x 46
PM2-34	34" x 24" x 18"	86 x 61 x 46
PM2-42	42" x 24" x 18"	107 x 61 x 46
PM2-42J	42" x 24" x 18"	107 x 61 x 46
PM2-S1	Extra Shelf	

**PIXMATE WITH METAL CABINET AND 18" X 24" SHELF**

Model	Dimensions H x W x D	
	in.	cm.
PM2C-26	26" x 24" x 18"	66 x 61 x 46
PM2C-34	34" x 24" x 18"	86 x 61 x 46
PM2C-42	42" x 24" x 18"	107 x 61 x 46
PM2C-42J	42" x 24" x 18"	107 x 61 x 46