

DA-LITE SCREEN COMPANY, INC.

3100 North Detroit Street
 Post Office Box 137
 Warsaw, Indiana 46581-0137
 Phone: 574/267-8101
 800-622-3737
 Fax: 574/267-7804
<http://www.da-lite.com>
 e-mail: info@da-lite.com

Assembly Instructions
 for
ADVANCE
ADJUSTABLE
PROJECTOR TABLE
APT-42

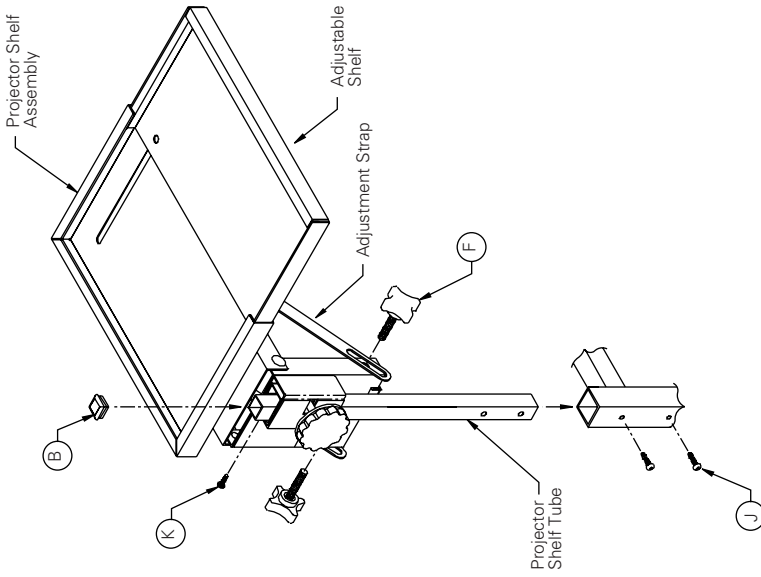


Figure 3

QTY	DESCRIPTION
A 1	End Cap, 1" square
B 1	End Cap, 3/4" square
C 4	End Cap, 1-1/4" square
D 1	Equipment Lock Kit
E 1	Knob, 1-3/4" diameter
F 2	Knob, 4 prong
G 6	Nut, Hex, 1/4"-20 keps
H 4	Screw, Mach, 1/4"-20 x 2"
J 6	Screw, BHSCS, 1/4"-20 x 3/4"
K 1	Screw, Sheet Metal, #6 x 5/8"
L 2	Washer, 1/4" flat

PROCEDURES

TOOLS REQUIRED

7/16" box wrench, Phillips Blade screwdriver

Procedure

1. Remove contents from carton and examine parts.
2. Remove the Laptop Tube from inside of the Projector Shelf Assembly by loosening the 1/4"-20 screw on the bottom of the Projector Shelf Assembly and sliding the Adjustable Shelf. See Figure 3.
3. If the optional Projector Shelf lock is needed, use the previously mentioned 1/4"-20 screw with the Equipment Lock (D) to re-assemble the Adjustable Shelf to the Projector Shelf Assembly. See Figure 2.

4. Insert one Swivel Caster and one Swivel Caster with brake into each Caster Tube. Make sure the casters are fully inserted into the Caster Tube. See Figure 1.
5. Roll the Frame Assembly onto its side and mount both Caster Tubes to the base of the Frame Assembly using the hardware provided. Utilize the oversized holes to level the table, being careful to keep the Frame Assembly vertical. Position the Swivel Casters with brake toward the rear of the table.
6. Fasten the Bottom Shelf to the Frame Assembly in either of two positions.
7. Assemble the Laptop Shelf to the Laptop Tube by inserting the studs in the bottom of the shelf into the holes in the Laptop Tube and secure with fasteners shown (G & L).
8. Insert the assembled Laptop Shelf and Tube into the Frame Assembly tubes, adjust to desired height, and secure with a 1-3/4" diameter knob (E).

9. Insert the Projector Shelf Tube into the Frame Assembly tube with the nutserts facing the Laptop Shelf (see detail in Figure 1). Fasten with two 1/4"-20 x 3/4" screws (J). Install the Projector Shelf Assembly onto the Projector Shelf Tube by rotating the knob and sliding the assembly past the hole on the end of the Tube. Screw the #6 screw (K) into that hole. See Figure 3.

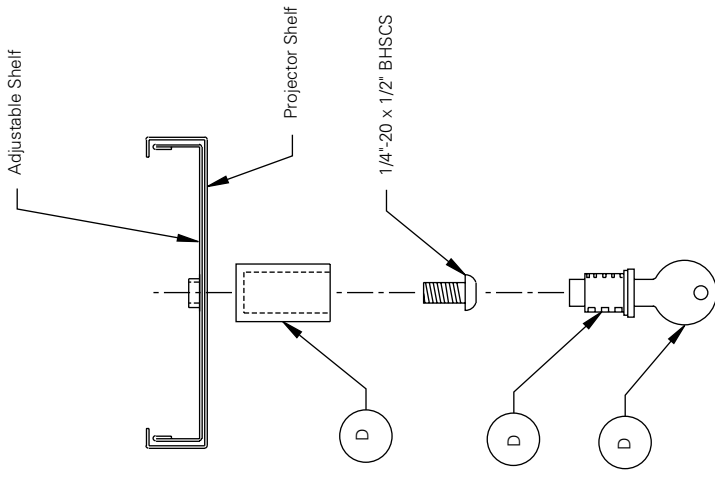


Figure 2

10. Insert the 4 Prong Knobs (F) through the slot on the Adjustment Straps and into the threaded hole on each side of the mounting channel.
11. Place the Rubber Mat on the Bottom Shelf and install all End Caps. Tighten all fasteners.
12. Slide the Adjustable Shelf to accommodate the projector. Use the shelf to trap the feet and secure the shelf at the desired height and angle. Load limit on shelf is 15 pounds.

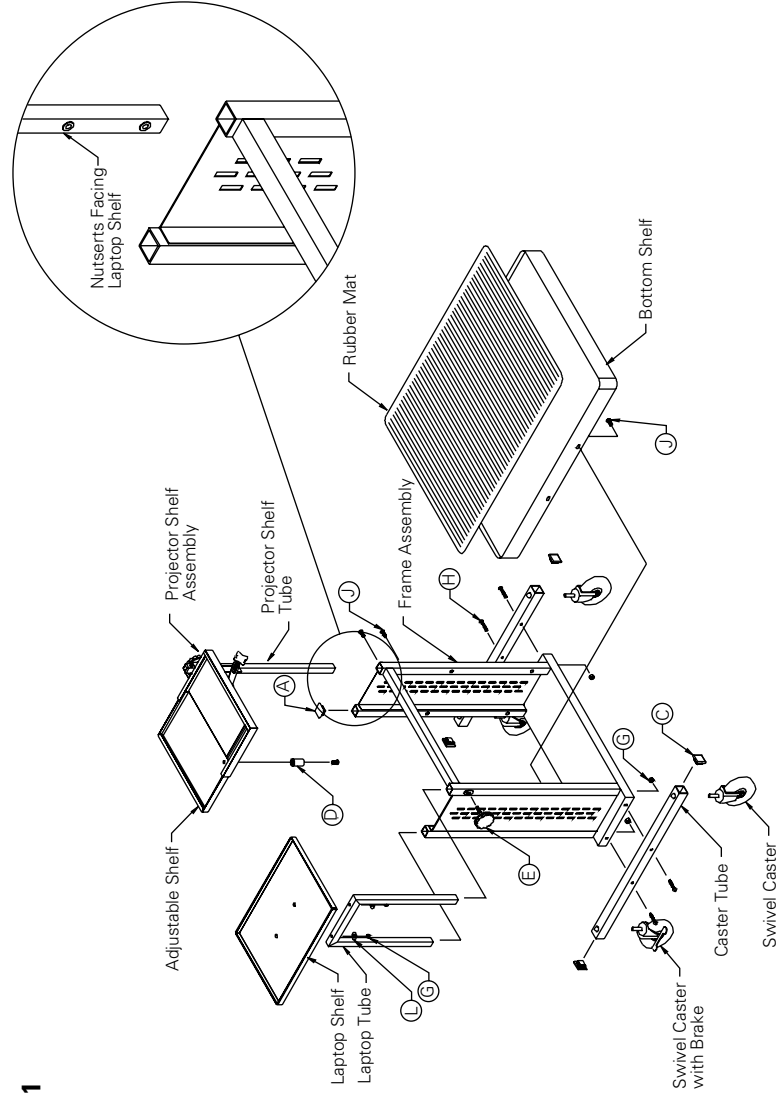
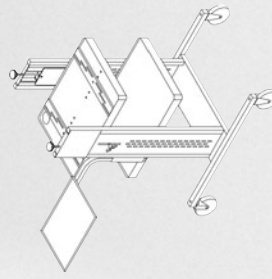


Figure 1



DA-LITE SCREEN COMPANY, INC.

3100 North Detroit Street
 Post Office Box 137
 Warsaw, Indiana 46581-0137
 Phone: 574/267-8101
 800-622-3737
 Fax: 574/267-7804
 http://www.da-lite.com
 e-mail: info@da-lite.com

Assembly Instructions
 for
ADVANCE
ADJUSTABLE
PROJECTOR TABLE
APT2-42

Figure 2

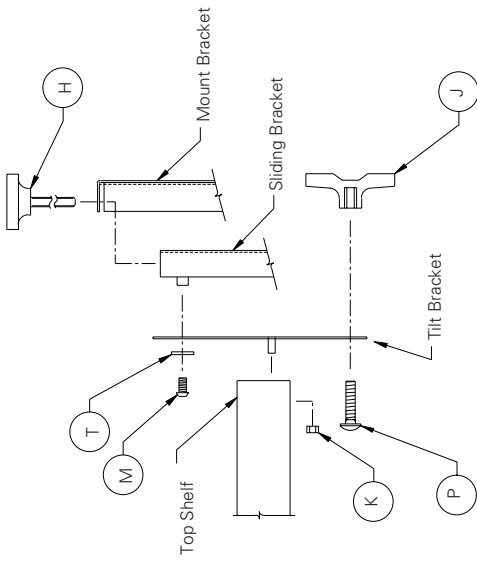
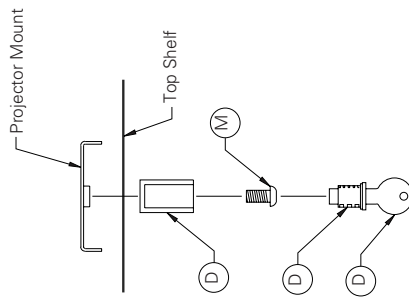


Figure 3



HARDWARE DESCRIPTION	
A	2 Hole Plug, 7/8"
B	6 End Cap, 1" square
C	6 End Cap, 1-1/4" square
D	1 Equipment Lock Kit
E	1 Grommet Cover
F	1 Grommet
G	1 Knob, 1-3/4" diameter
H	2 Knob, 2-1/2" diameter
J	3 Knob, Wing
K	8 Nut, Hex, 1/4"-20
M	4 Screw, BHSCS, 1/4"-20 x 1/2"
N	12 Screw, BHSCS, 1/4"-20 x 3/4"
P	2 Screw, Carriage, 5/16"-18 x 1-3/4"
Q	1 Screw, HHCS, 5/16"-18 x 1-3/4"
R	4 Screw, Mlach, 1/4"-20 x 2"
S	1 Washer, Fiber, 2" O.D.
T	3 Washer, Flat, 1/4"

PROCEDURES

TOOLS REQUIRED

7/16" box wrench, Phillips Blade screwdriver

1. Remove contents from carton and examine parts.
2. Insert two Swivel Casters into each Caster Tube. Make sure the casters are fully inserted into the Caster Tube. See Figure 1.
3. Roll the Frame Assembly onto its side and mount both Caster Tubes to the base of the Frame Assembly using the hardware provided. Utilize the oversized holes to level the table, being careful to keep the Frame Assembly vertical.
4. Fasten the Bottom Shelf to the Frame Assembly in either of two positions.
5. Fasten both Mount Brackets to the Frame Assembly.
6. Place the Sliding Brackets inside of the Mount Brackets and screw the 6-1/2" long threaded knob into the Sliding Bracket.
7. Fasten the Tilt Brackets to the top shelf. Insert the Top Shelf between the Sliding Brackets and press the protruding fasteners into the Top Shelf. The large hole in the Top Shelf should be toward the rear of the Frame Assembly. Secure with a screw and washer on each side. Install the tilt adjustment fasteners at this time also. See Figure 2.
8. Secure the projector to the Projector Mount using the projector manufacturers' recommended methods and/or fasteners. Utilize both Projector Mounts if needed. Secure the Projector Mounts to the Top Shelf with the fasteners shown and lock one of the Projector Mounts with the lock provided. See Figure 3.

9. Insert Laptop Shelf Mount Arm into either one of two possible locations shown in Figure 1. Secure with 1-3/4" diameter knob.

10. Fasten the Laptop Shelf to the Laptop Shelf Mount Arm using the fasteners shown.

11. Place the Rubber Mat on the Bottom Shelf and install all grommets, end caps, and hole plugs. Tighten all fasteners.

Figure 1

