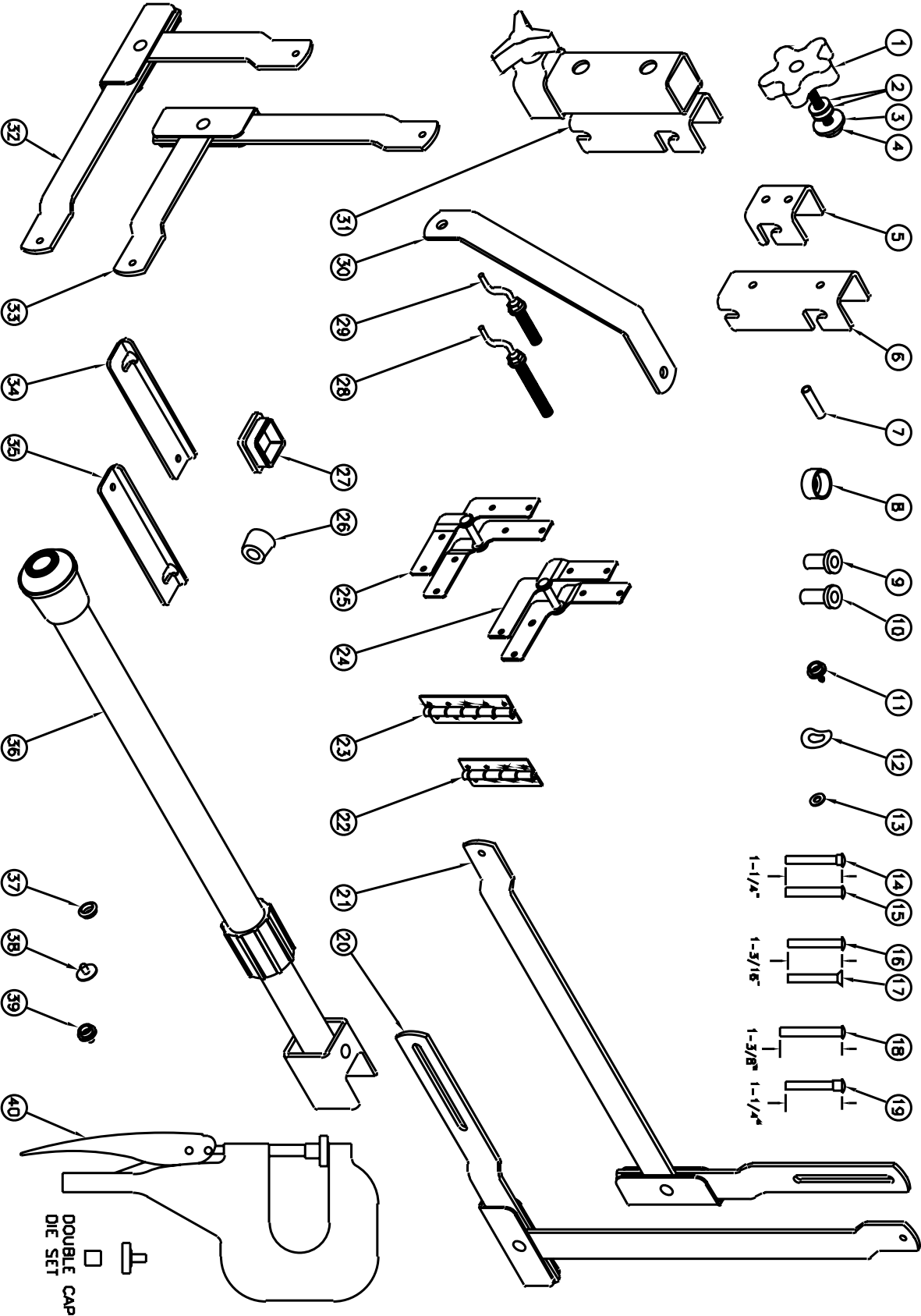




FAST-FOLD® TRUSS SCREEN REPLACEMENT PARTS

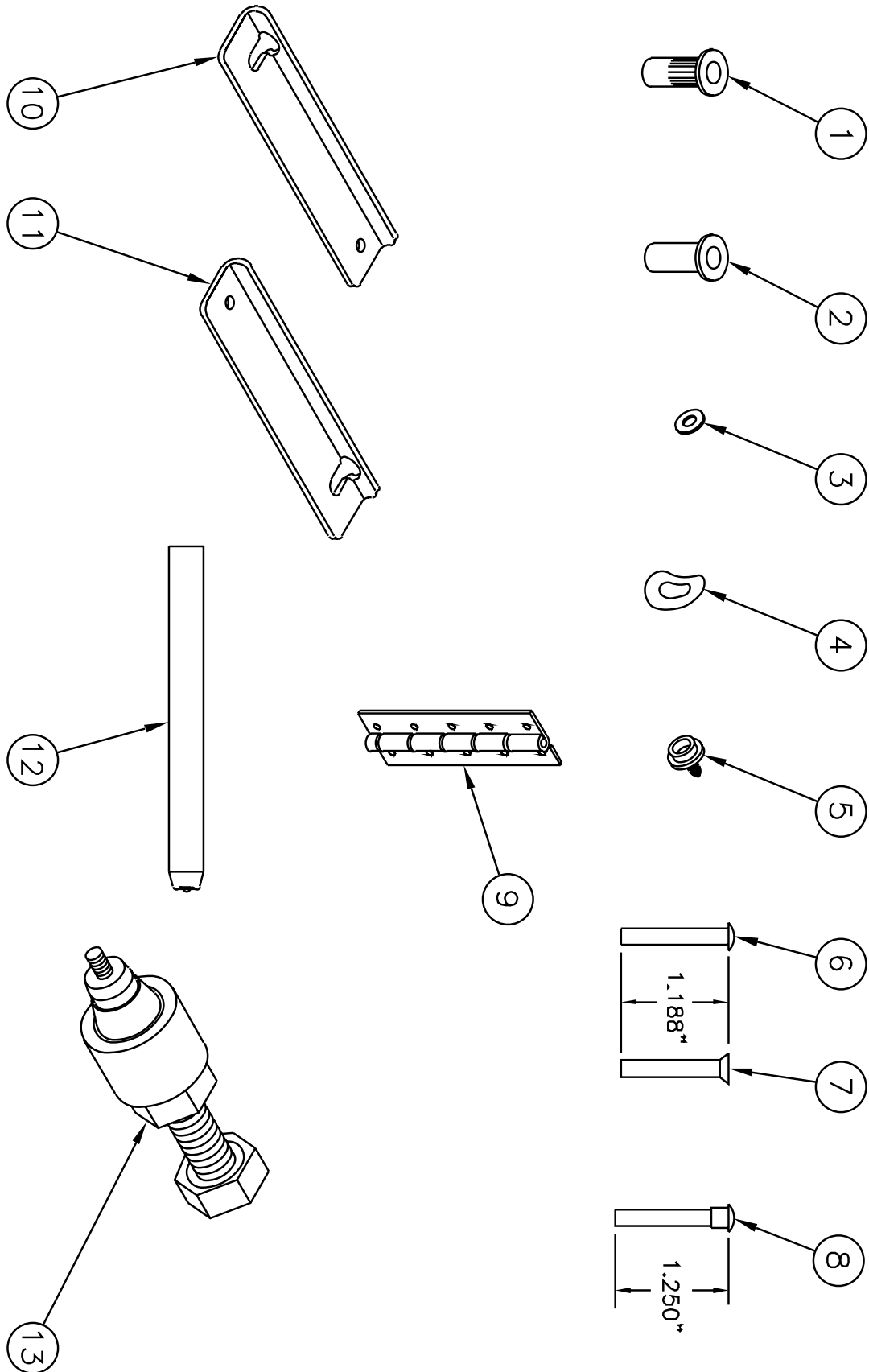


FAST-FOLD® TRUSS SCREEN REPLACEMENT PARTS

Diagram No.	Da-Lite Part No.	Description	Quantity Required	List Price Each
1	47274	Knob - used on T-Legs for tilt	8	\$4.00
2	47352	Washer, flat .625OD x .265ID x .047T - used as a spacer on T-Legs	2	0.34
3	44842	Washer, flat .921OD x .468ID x .062T - used as a spacer on T-Legs	1	0.34
4	44831	Carriage bolt, 1/4 - 20 x 2.00" - used on T-legs for tilt	8	0.34
5	47833AN	Short hanger for wing arms	2	7.80
6	47816AN	Long hanger for valance bar, wing bar and skirt bar sliders	2	12.80
7	47349	Spacer, .250OD x .20ID x 1" long - used to assemble hinges	1	0.84
8	91019	Rivnut spacer - used between frame and legs	1	2.80
9	78454	Rivnut, short steel 5/16 - 18 - used for A-T Legs and truss frames	6	2.20
10	47473	Rivnut, steel 5/16 - 18 long - used to screw speedy cranks to frames	10	2.80
11	47441	Snap stud - mounts to frame to snap fabric onto frame	varies	0.60
12	44829	Washer, spring .563OD x .195ID x .008T - used in leg brace assembly, corner brace assembly, & latches	3	0.24
13	47351	Washer, flat .437OD x .203ID x .031T - used in attaching latches to frame	2	0.24
14	47350	Rivet, shoulder .184 x 1.25" long - mounts to frame to hook latch	1	0.34
15	44828	Rivet, .187 x 1.22" long - used to mount hinge to frame	2	0.26
16	44850	Rivet, round .187 x 1.187" long - used to mount truss hinge to frame	3	0.26
17	44849	Rivet, flat .187 x 1.187" long - used to mount truss hinge to frame	2	0.34
18	44830	Rivet, .187 x 1.375" long - used to assemble hinges (#24 & 25)	1	0.26
19	47472	1 - 1/4" shoulder rivet - mounts to frame for drape hardware	4	0.54
20	58648	Left leg brace assembly for T-Legs	2	17.40
21	58644	Right leg brace assembly for T-Legs	2	17.40
22	47262PL	Piano hinge, 4 - 3/8" long for truss "L" sections	varies	9.40
23	47778PL	Piano hinge, 5 - 3/4" long for truss frames and truss legs	varies	11.60
24	58642	Left hinge assembly for all standard frames	5	5.80
25	58641	Right hinge assembly for all standard frames	5	5.80
26	47353	Rubber foot for legs and dress up kit hardware	2-6	0.48
27	47354	Plastic plugs for legs	1-3	0.44
28	40902	Long speedy crank for T and A-T Legs and back brace for truss	3	5.50
29	58656	Short speedy crank for "L" sections	varies	4.50
30	47802PL	Truss frame brace-used on 25' or longer truss to attach "L" sections	10	12.80
31	58866	Skirt bar slider for adjustable skirt bar only	2	39.80
32	58659	Right corner brace assembly for frame corners, truss legs and A-T Legs	2	15.20
33	58660	Left corner brace assembly for frame corners, truss legs and A-T Legs	2	15.20
34	47358PL	Right latch used on frames on bottom and right	5	3.00
35	47361PL	Left latch used on frames on top and left	5	3.00
36	59049	Skirt bar steadyrest assembly for 10' or wider skirt with skirt bar	1	46.00
	59050	Skirt bar steadyrest assembly for extra long skirt with skirt bar	1	46.00
37	47489	Light socket for all fabric snaps except corners	varies	0.36
	47490	Heavy socket for dress up kits and corners, black	varies	0.36
38	47491	Black cap - used on three sides of fabrics and dress up kits	varies	0.36
39	47492	Double cap - used at the bottom of all fabrics	varies	0.36
40	76781	Snap tool - used to replace both types of snaps	1	294.00



FAST-FOLD® TRUSS FRAME REPAIR KIT



FAST-FOLD® TRUSS FRAME REPAIR KIT

Diagram No.	Da-Lite Part No.	Description	Quantity Required	List Price Each
1	47473	Rivnut, steel 5/16 - 18 long - used to screw speedy cranks to frames	10	\$2.80
2	47414	Rivnut, aluminum 5/16-18 long - used on frame for speedy cranks	10	4.40
3	47351	Washer, flat .437OD x .203ID x .031T - used to attach latches to frame	10	0.24
4	44829	Washer, spring .563OD x .195ID x .008T - used in leg braces, corner brace and latches	10	0.24
5	47441	Snap stud - mounts to frame to snap fabric onto frame	20	0.60
6	44850	Rivet, round .187 x 1.187" long - used to mount hinge to frame	20	0.26
7	44849	Rivet, flat .187 x 1.187" long - used to mount hinge to frame	20	0.34
8	47350	Rivet, shoulder .184 x 1.25" long - mounts to frame to hook latch	10	0.34
9	47778PL	Piano hinge, 5 - 3/4" long - used on frames and legs	5	11.60
10	47358PL	Right latch - used on frames	5	3.00
11	47361PL	Left latch - used on frames	5	3.00
12	47206	Rivet setting tool	1	90.00
13	99210	Rivnut tool	1	310.00
		For complete repair kit, order as follows: (includes #1-17)		
	37316	Fast-Fold Truss Repair Kit	1	476.00