



Grand Dynasty®

COLLECTION

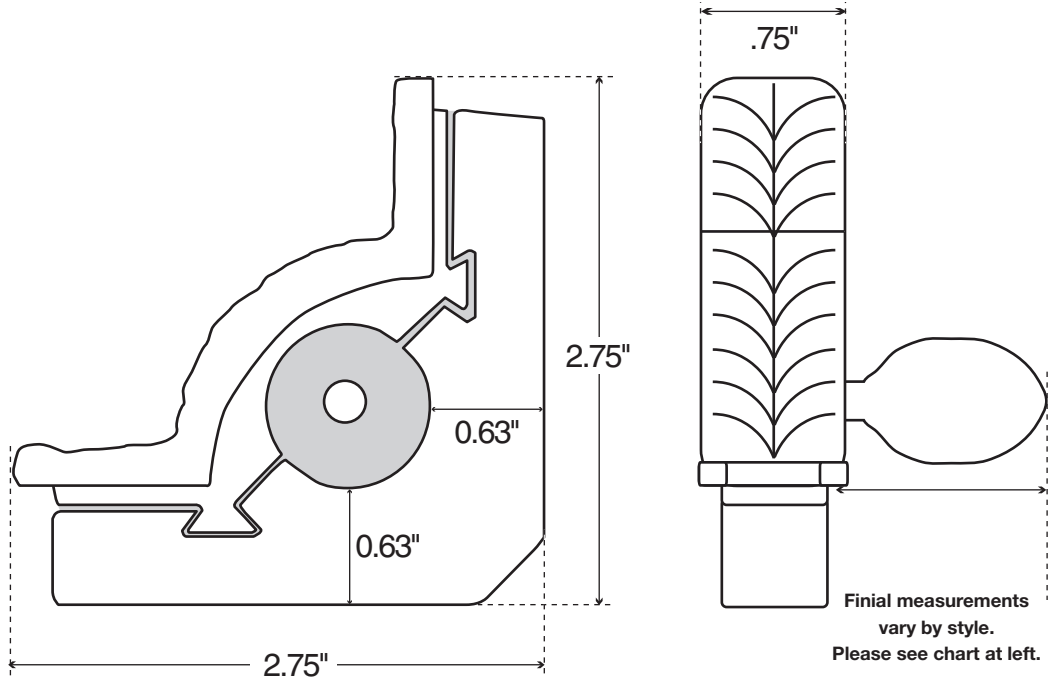
INSTALLATION INSTRUCTIONS

PATENT #5,960,516

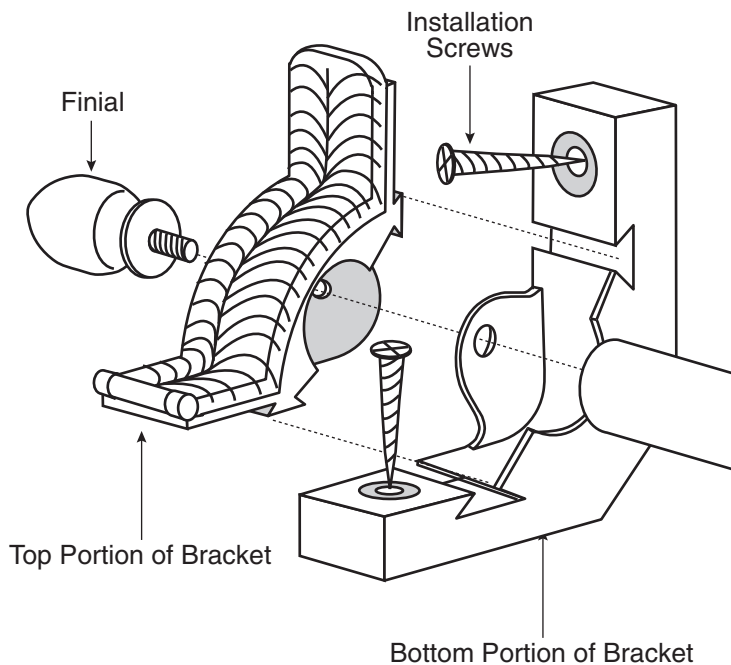
SPECIFICATIONS

Zoroufy® Stair Rods slide into each bracket approximately 1/2". Finials attach to the bracket, not the rod.

FINIAL	LENGTH
Grand Dynasty Pineapple	2 3/4"
ROD GAUGE:	.040"
ROD DIAMETER:	3/4"



JUST FOLLOW THESE SIMPLE STEPS.



PATENT #5,960,516

1. The carpet runner must be installed using another method of installation. Zoroufy Stair Rods are for decorative use only.
2. Locate desired position of the brackets by inserting the rod into the brackets and laying one complete set on the stairs. Positioning both the left and right bracket an equal distance from the side edges of the runner is the most preferable position.
3. Unscrew the finial from the bracket and separate the top portion from the bottom portion of the bracket by sliding it off laterally, exposing the installation screw holes. Each top and bottom portion of the brackets were manufactured together to fit securely with each other. Open and install only one bracket at a time so individual pieces do not get mixed.
4. Install one bottom portion of a bracket onto stairs in desired position using screws provided or other anchors suitable for stair material. Drilling a pilot hole first is recommended. Insert the rod into the installed bottom portion of the bracket and replace top cover portion of that bracket by lining up the interlocking dovetail joints and sliding it back on.
5. Secure the top portion to the bottom portion by screwing the finial into the side of the assembled bracket.
6. Place remaining bracket on the other end to confirm exact position of the bracket on the other side. Open and install remaining bracket using the same method as above.

ALWAYS USE A NON-SLIP PAD AND/OR ANOTHER MEANS OF INSTALLATION. STAIR RODS ALONE ARE NOT A FORM OF CARPET INSTALLATION.

ALL PARTS ARE LACQUER COATED TO RESIST TARNISHING. DO NOT USE BRASS CLEANER OR OTHER ABRASIVES. TO CLEAN, SIMPLY WIPE WITH A SOFT DRY CLOTH.

PERIODICALLY CHECK AND TIGHTEN ALL SCREWS AND HARDWARE.

NOTE: ZOROUFY STAIR RODS ARE FOR DECORATIVE USE ONLY!