



# PENTAS

by *Journée*

## Spec Sheet

10 Watt LED Luminaire



Color: Titanium

Beam Angle Options  
15° / 25° / 36°

WattageAdjust® Feature  
Switch Between 6w / 8w / 10w

Color Rendering Index  
80 CRI

Color Temperature Options  
2700k / 3000k / 4000k

Input Power  
24 Volts AC

### COLOR OPTIONS



Bordeaux Red



California Blue



Sunset Orange



Black



Golden Yellow

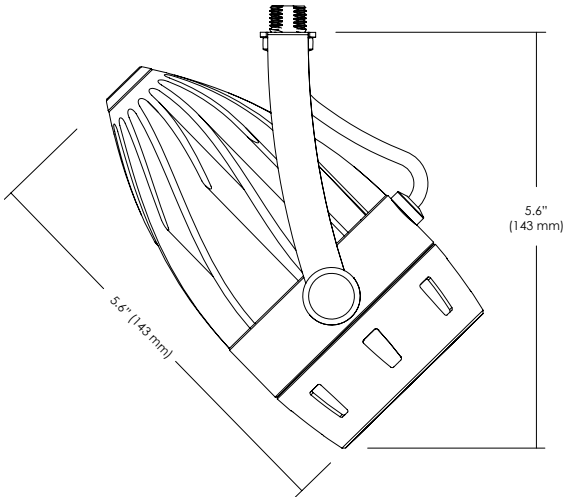


Shamrock Green

### FIELD-REPLACEABLE LED MODULE



 **Infusion™**  
LED Module



#### DESCRIPTION

The next generation of lighting is here. Introducing the PENTAS, a sleek high-tech LED luminaire designed to not only appeal to the eye, but also perform as an active heat sink, resulting in longer lamp life and higher efficiencies.

#### SYSTEM

24V Journée Monorail or Journée Monopoint Canopy

#### FINISH

Brushed Aluminum with clear anodized finish

Colored Components: Bead-blasted Aluminum with color-anodized finish

#### LAMP (Sold Separately)

GE Infusion™ LED Module

Field Replaceable/Upgradable

#### ACCESSORIES (Sold Separately)

Field replaceable prism lenses, louvers and colored glass filters.

Drop Stem is modular and is interchangeable in the field to adjust the drop height. See Modular Stem spec sheet for details.

#### OPTICS

GE Infusion™ LED Module is equipped with a highly efficient TIR Optic



#### PENTAS ORDERING INFORMATION

PEN	APPLICATION	COLOR
	HE – HEAD	TT – Titanium
		CB – California Blue
		RD – Bordeaux Red
		YW – Golden Yellow
		GN – Shamrock Green
		SO – Sunset Orange
		BK – Black

PEN         
         HE         
         COLOR         

**ORDERING CODE**