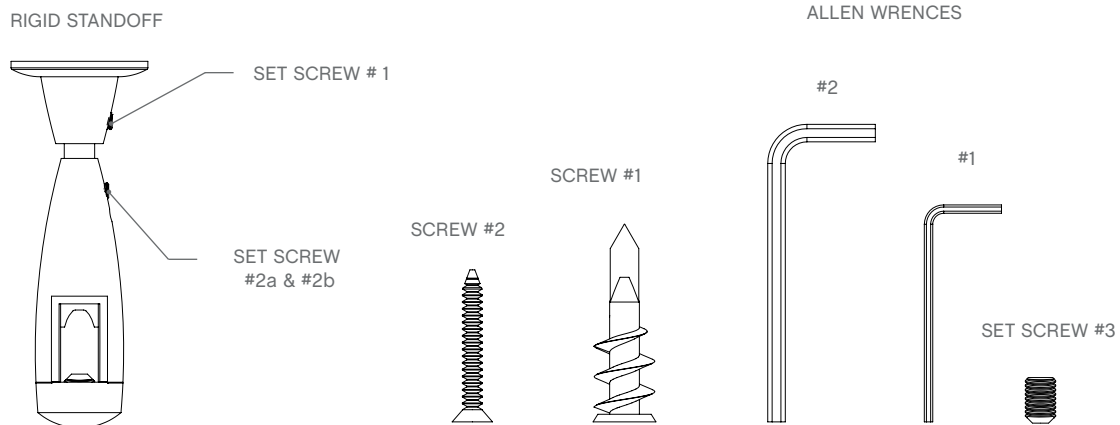




IMPORTANT SAFETY INSTRUCTIONS

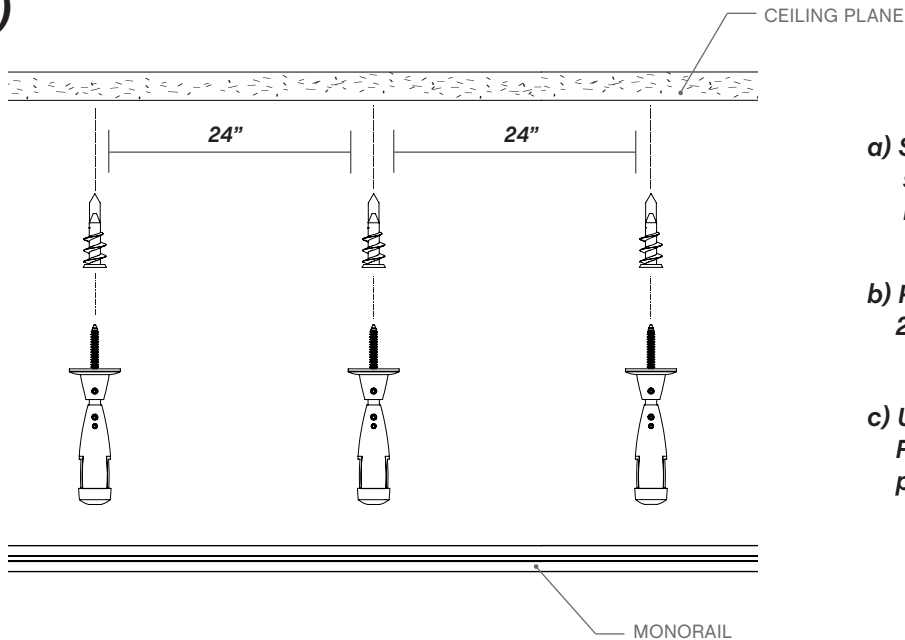
- This product suitable for indoor dry locations only.
- This product must be used with the Journée Monorail System only
- Journée Monorail Rigid Standoffs are designed to be placed every three feet and to cover the monorail end to end connectors.
- **We recommend you hire a qualified, licensed electrician to install the system.**

SAVE THESE INSTRUCTIONS





1)

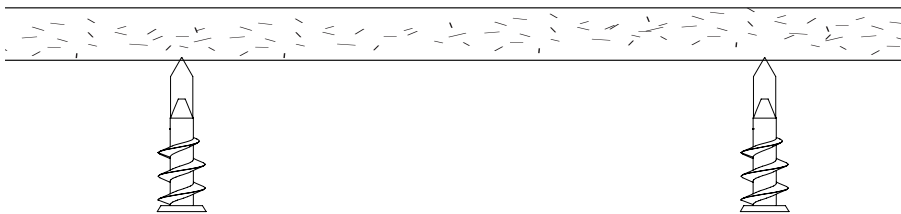


a) Set Monorail on floor below selected location of installation.

b) Place Rigid Standoffs every 24" of run or less.

c) Use a plumb bob to mark Rigid Standoff position points on ceiling.

2) Tap screw #1 into marked points on ceiling, then use a Philips screwdriver to finish screwing the screw #1 into the ceiling until flush with ceiling.



SAVE THESE INSTRUCTIONS

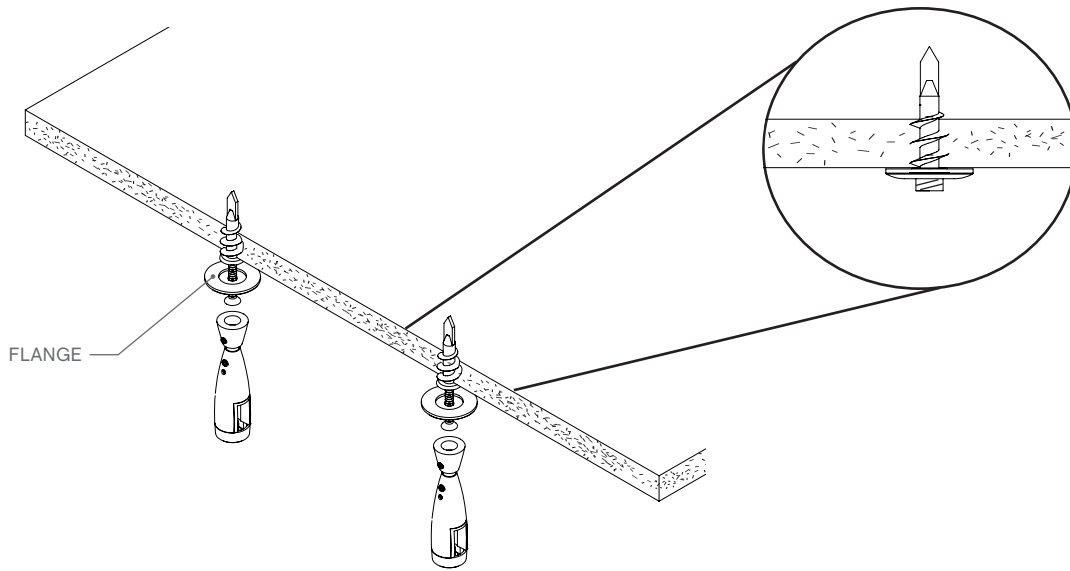
WWW.JOURNEELIGHTING.COM

TELEPHONE 800-886-1880 - FAX 800-886-1881

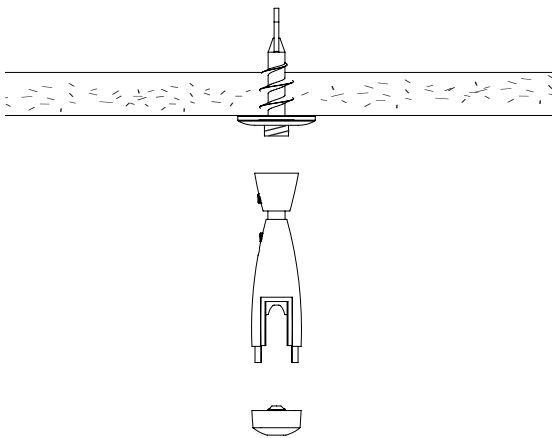
4607 Lakeview Canyon Rd #500 - Westlake Village, CA 91361



- 3)** *Unscrew flange from the Rigid Standoff, then place screw #2 through the flange with the flat side of the flange facing the ceiling.*



- 4)** *Unscrew the bottom cap of of the Rigid Standoff, then screw the Rigid Standoff onto the flange located on the ceiling.*



SAVE THESE INSTRUCTIONS

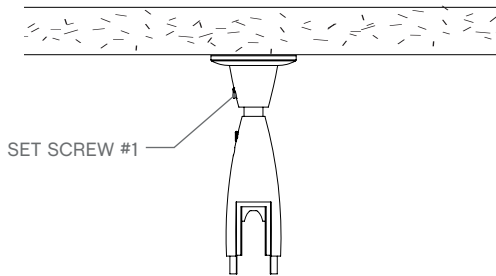
WWW.JOURNEELIGHTING.COM

TELEPHONE 800-886-1880 – FAX 800-886-1881

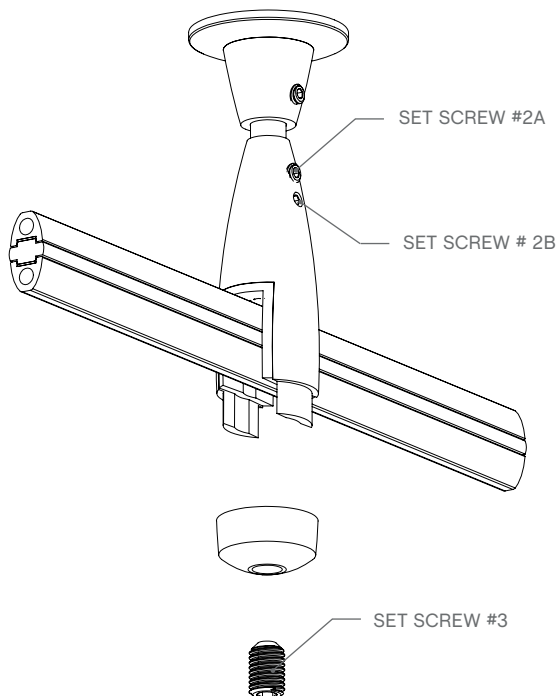
4607 Lakeview Canyon Rd #500 - Westlake Village, CA 91361



5) Use the allen wrench to tighten set screw #1.



6)



a) Insert the Monorail into the Rigid Standoff (as shown in the illustration on the left)

b) Confirm that set screw #2a and #2b are tightened.

c) Screw the bottom cap onto the rigid standoff to secure the monorail.

d) Screw the #3 set screw into the top cap of the Rigid Standoff. Make sure to tighten using allen wrench #2. Do Not Over Tighten.

SAVE THESE INSTRUCTIONS

WWW.JOURNEELIGHTING.COM

TELEPHONE 800-886-1880 – FAX 800-886-1881

4607 Lakeview Canyon Rd #500 - Westlake Village, CA 91361