

COOPER LIGHTING - METALUX®

DESCRIPTION

The WN Series is a surface wraparound luminaire featuring energy efficient performance. The luminaire's clean, low profile design is both appealing and functional. The WN Series utilizes a clear, low brightness, extruded acrylic refractor for high performance and aesthetics.

The efficient and stylish WN Series is the perfect wraparound for residential applications.

Catalog #		Type
Project		
Comments		Date
Prepared by		

SPECIFICATION FEATURES

A... Construction

Housing consists of die formed cold rolled steel. Ends formed with the housing for strength and provisions for continuous row aligners. Steel end plates with 7/8" KO and light-seal embossment. Ballast cover easily removed without tools.

B... Electrical*

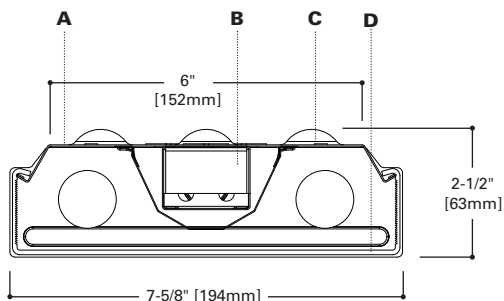
Residential electronic instant start ballast. 120V. Rotor lock lampholders. UL/CUL, Energy Star listed. Suitable for damp locations.

C... Finish

Multistage, prepaint ensures maximum bonding and rust prevention.

D... Lens

100% clear acrylic prismatic lens. Sides have inside linear prisms and bottom has pyramidal prisms for low brightness control.

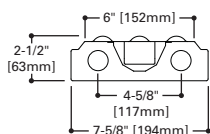


WN
217R
232R

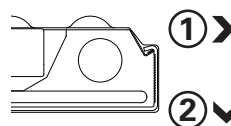
2' OR 4' SURFACE
T8 LAMPS

Residential Wrap

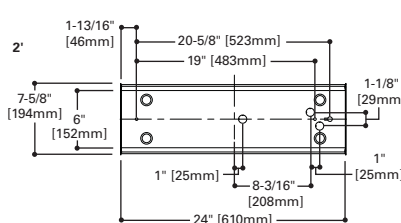
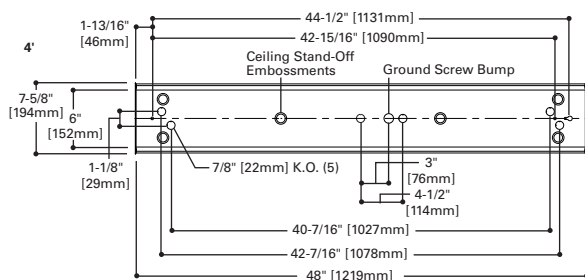
LAMP CONFIGURATIONS



LENS REMOVAL



MOUNTING DATA



ENERGY DATA

Input Watts:
REB1 Ballast & STD Lamps
217 (36)
232 (55)

Luminaire Efficacy Rating
LER = FW-80
Catalog Number: WN-232R

Yearly Cost of 1000 lumens,
3000 hrs at .08 KWH = \$3.00

*Reference the lamp/ballast data in the Technical Section for specific lamp/ballast requirements.

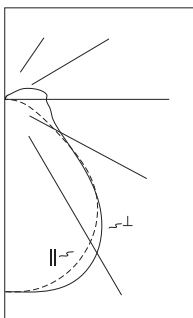


LAMPS CONTAIN MERCURY. DISPOSE ACCORDING TO LOCAL, STATE OR FEDERAL LAWS

ADF091170



PHOTOMETRICS



WN232R-U
Energy Saving
Ballast

F32T8/35K Lamps
3100 Lumens

Spacing criterion:
(II) 1.3 x mounting
height, (L) 1.4 x
mounting height

Efficiency 82.0%

Test Report:
134P132

LER = FW-80

Yearly Cost of 1000
lumens, 3000 hrs at
.08 KWH = \$3.00

Coefficients of Utilization

rc	Effective floor cavity reflectance																		
	80%							70%							20%				
	70	50	30	10	70	50	30	10	50	30	10	50	30	10	50	30	10	0%	
RCR	0	95	95	95	95	92	92	92	92	85	85	85	80	80	80	74	74	74	72
1	86	82	79	76	83	80	76	73	74	72	69	69	67	65	65	63	61	59	
2	79	72	67	62	76	70	65	61	65	61	58	61	58	55	57	54	52	50	
3	72	64	57	52	69	62	56	51	58	53	49	54	50	47	51	47	45	42	
4	66	57	50	45	64	55	49	44	52	46	42	49	44	40	46	42	39	37	
5	61	51	44	39	59	49	43	38	47	41	37	44	39	35	41	37	34	32	
6	57	46	39	34	54	45	38	33	42	36	32	40	35	31	38	33	30	28	
7	52	42	35	30	50	41	34	29	38	33	29	36	31	28	34	30	27	25	
8	49	38	31	27	47	37	31	26	35	30	26	33	28	25	32	27	24	22	
9	46	35	28	24	44	34	28	24	32	27	23	31	26	22	29	25	22	20	
10	43	32	26	22	41	31	26	22	30	25	21	29	24	20	27	23	20	18	

Zonal Lumen Summary

Zone	Lumens	%Lamp	%Fixture
0-30	1304	21.0	25.6
0-40	2152	34.7	42.3
0-60	3544	57.2	69.7
0-90	4441	71.6	87.3
90-180	645	10.4	12.7
0-180	5086	82.0	100.0

Typical VCP Percentages

Room Size (Ft.)	Height Along		Height Across	
	8.5'	10.0'	8.5'	10.0'
20 x 20	52	58	44	53
30 x 30	43	48	31	39
30 x 60	36	40	15	21
60 x 30	40	46	35	42
60 x 60	32	37	17	22

Candela

Angle	Along II	45°	Across ⊥
0	1583	1583	1583
5	1588	1594	1591
10	1580	1597	1607
15	1554	1591	1618
20	1512	1573	1605
25	1454	1534	1563
30	1380	1473	1488
35	1291	1384	1375
40	1181	1258	1225
45	1043	1077	1030
50	848	851	809
55	602	655	626
60	429	518	512
65	317	413	444
70	240	333	409
75	180	270	390
80	123	223	369
85	62	185	347
90	3	155	332

ORDERING INFORMATION

SAMPLE NUMBER: WN232R

Length Blank=2' or 4' Length	Series ⁽¹⁾ WN=Surface Wrap	Number of Lamps ⁽²⁾ 2=2 Lamps (Not Included)	Wattage 17=17W T8 (24") 32=32W T8 (48")	Application R=Residential
---	---	--	--	-------------------------------------

ACCESSORIES

WN-2LT-DEC-ENDS=Decorative End
Caps - 2 Lamps (2 pieces)

NOTES: ⁽¹⁾Steel endplates with 7/8" KO standard for continuous row mount. ⁽²⁾2 point suspension recommended (up to 4').
For complete product data, reference the Fluorescent Specification binder. Specifications & dimensions subject to change without notice. Consult your Cooper Lighting Representative for availability and ordering information.

SHIPPING INFORMATION

Catalog No.	Wt.
WN-217R	6 lbs.
WN-232R	8 lbs.