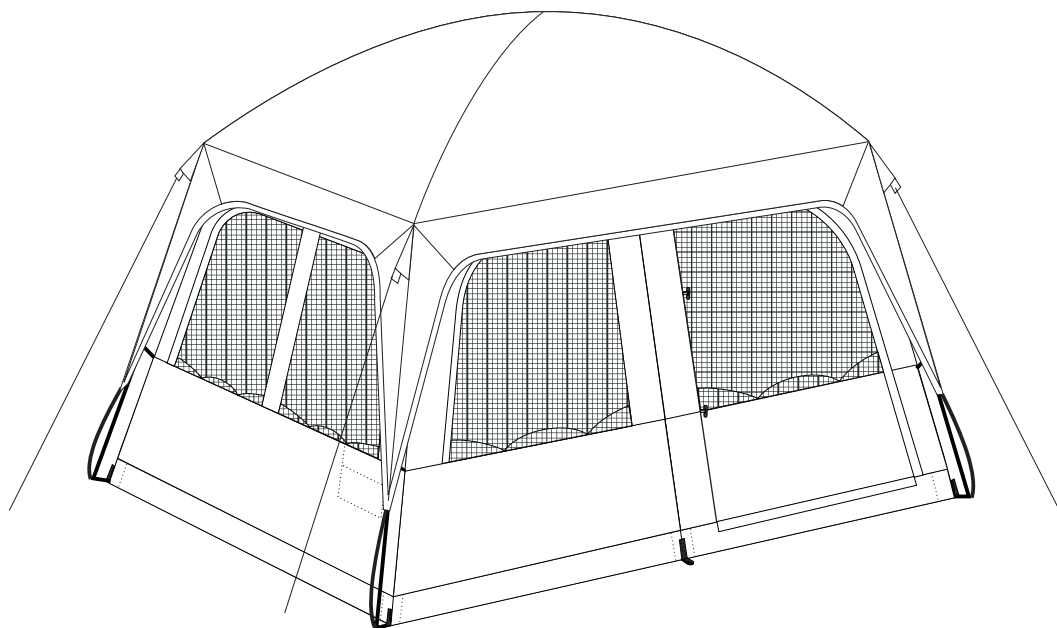




FT 049
Prospect Rock
10' x 8' x 79" (H)



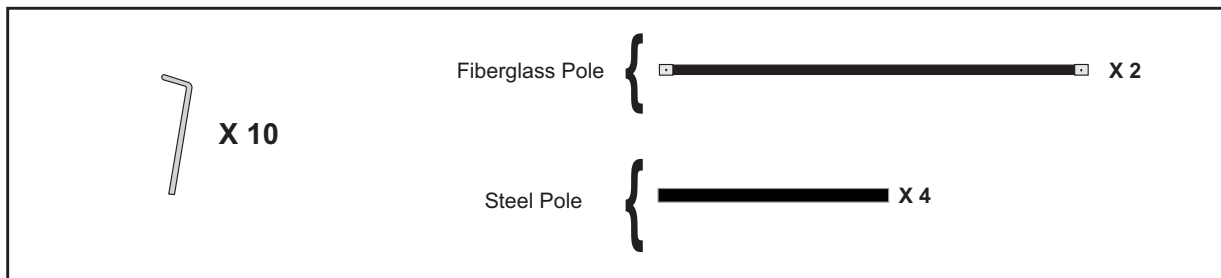
OWNER'S MANUAL

WWW.GIGATENT.COM

Assembly instructions

IMPORTANT

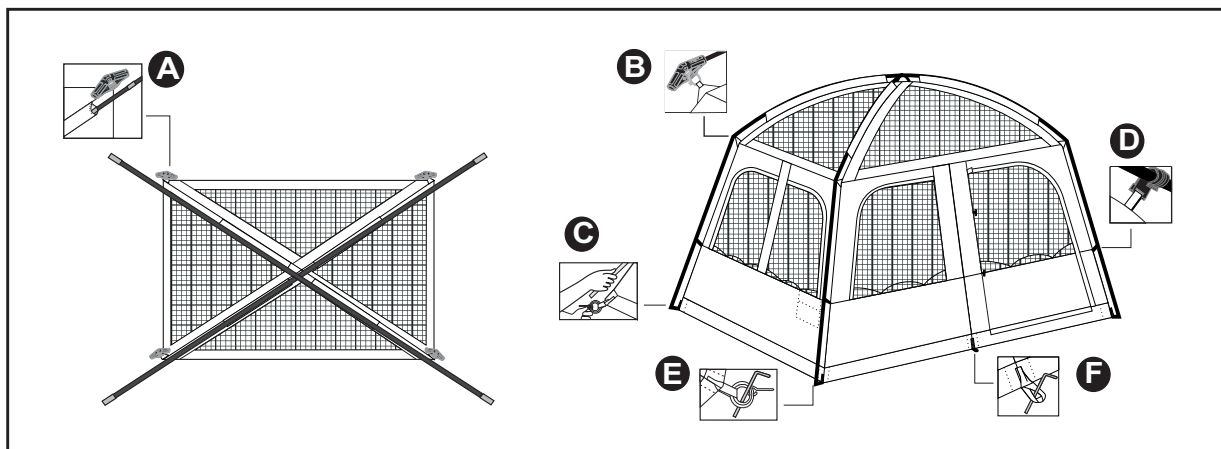
We advise you, to assemble the tent once before going camping to assure that all parts are present, and become familiar with the assembly of the tent.



■ Step "1" tent setup

(To prolong the life of the tent floor, select a level, clean area for the campsite)

- 1) spread the tent body on the ground
- 2) fully open all poles
- 3) thread poles thru poles sleeves at top of tent (figure A)
- 4) insert all pole ends into hubs (figure B)
- 5) insert one end of steel poles into hubs and the other ends insert pin into bottom of poles (figure C)
- 6) attach clips to poles (figure D)
- 7) stake the corners down (figure E)
- 8) stake out center webbing on sides (figure F)

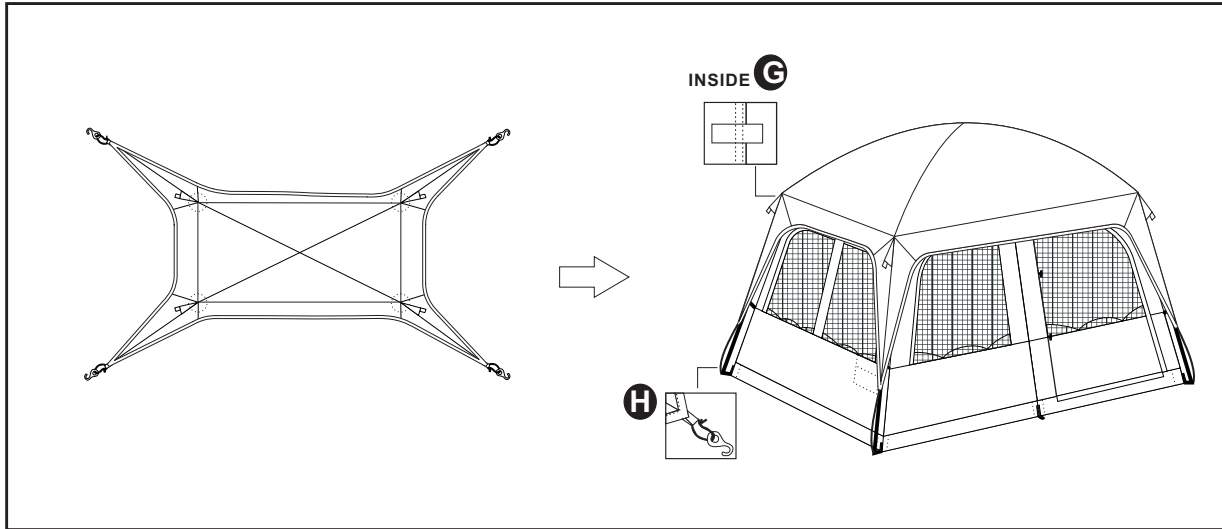


■ Step "2" attach the rainfly

9) drape fly over tent

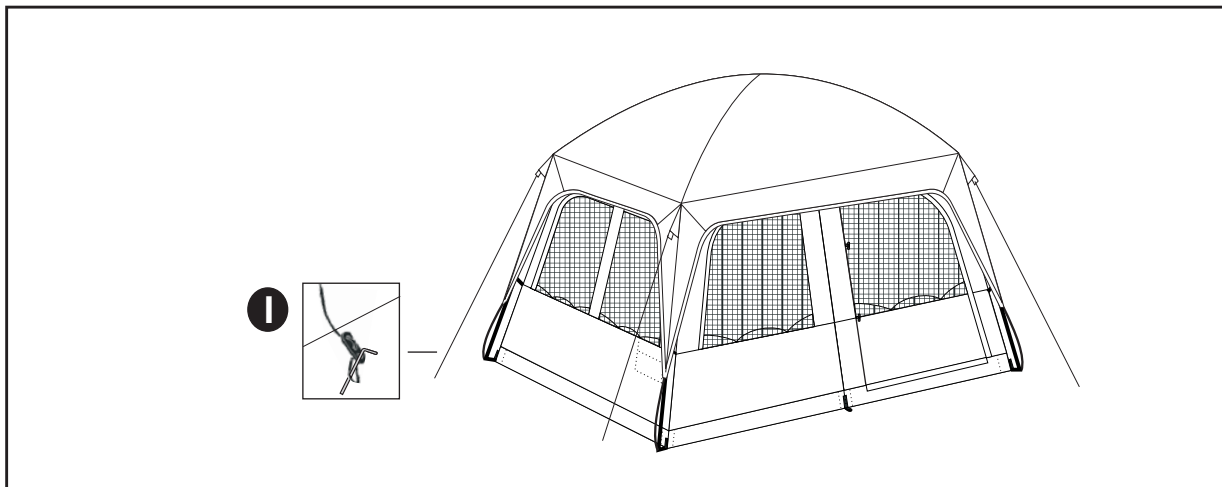
10) attach Velcro to poles (figure G)

11) stake e/strings corners of fly (figure H)



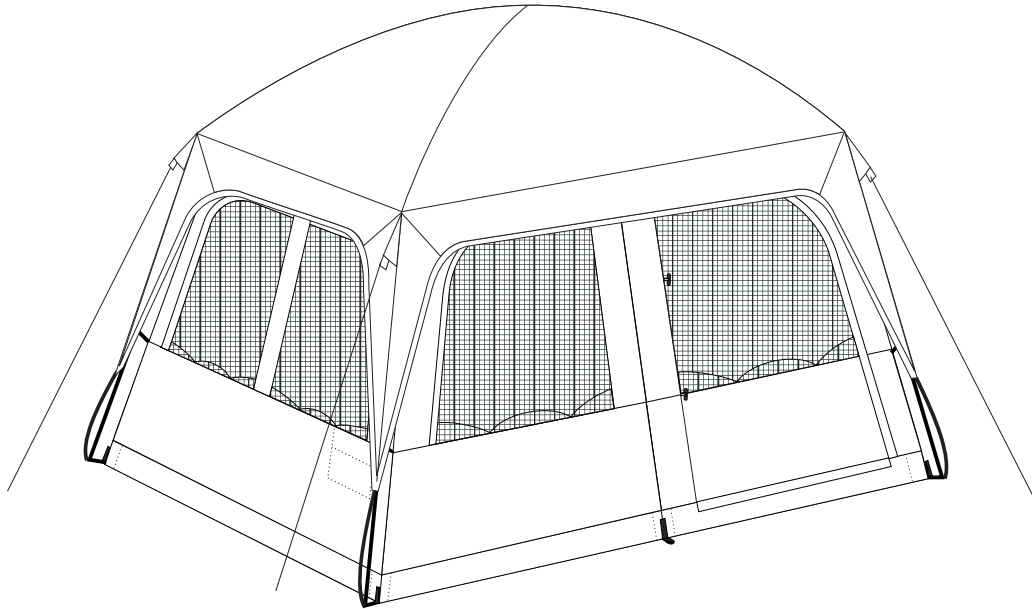
■ Step "3" extra stability

12) Secure tent by staking out the corner guy lines. (figure I)



Replacement Parts

MODEL: FT 049



	Description	Qty.		Description	Qty.
1.	Inner Tent		7.	Plastic Mold	4
2.	Rainfly	1	8.	Carry Bag	1
3.	Fiberglass Pole	2	9.	Pole Bag	1
4.	Steel Pole	4	10.	Peg Bag	1
5.	Stell Peg 6mm7"	10	11.	Owner's Manual	1
6.	P/string	4	12.	Box	1

*Review your parts list above; to make sure all parts listed above have been included on your package.



This product meets the flammability requirements of CPAI - 84. The fabric may burn if left in continuous contact with any flame source.

The application of any foreign substance to the product fabric, may render the flame resistant properties ineffective.

EXTREME CAUTION!

Never use any fuel burning oxygen consuming device, or any device that produce any fumes, including, stoves, lanterns, candles, hibachis, or heaters in or around your product. This could result in carbon monoxide poisoning, injury and/or death.

manufactured in our state of the art factory in china



THANK YOU
 FOR PURCHASING A SUPERIOR QUALITY MYMASTERPIECE WILDCAT MOUNTAIN.
 THIS TROUBLESHOOTING GUIDE
 IS DESIGNED TO GIVE YOU YEARS OF FUN AND ENJOYMENT FROM YOUR CAMPING EQUIPMENT.

Troubleshooting Guide

PROBLEM	SOLUTION
1. CONDENSATION	This is caused by lower temperatures on the outside of the tent combined with body heat on the inside of the tent. Leave the doors and windows open to reduce condensation moisture.
2. FLOOR CONDENSATION	To prevent floor condensation use a ground cloth. Placing a ground cloth under your product will prolong its life. Ground cloth size should be slightly smaller than product floor size.
3. MILDEW	To avoid mildew, never put your tent away wet or damp. However, if mildew occurs, use a soft bristle brush or sponge with mild dish washing soap to clean. Let the tent dry in the sunlight and apply seam sealer compound on outside seams.
4. REPAIRING A TEAR	For small tears use a self-adhesive patch kit. We recommend a canvas or awning repair shop for larger tears.
5. FAULTY ZIPPER	All of our tents are manufactured with zippers, which if the zipper separates, you can fix it by moving the slider to the beginning of the zipper tape and re working the zipper, if this doesn't work, you may order a replacement zipper from our parts department. A local canvas or awning repair shop in your area may then install the zipper.
6. SEAM LEAKAGE	To protect against seam leakage, apply a generous amount of seam sealer On all interior seams.
7. REMOVING STAKES	Stake should be removed with another stake, hammer or stake puller, but never by pulling on the tent. Avoid staking the tent so tightly that it stretches the fabric, overstretching may cause stake loops to tear. Troubleshooting Guide

WARNING

WARNING: KEEP ALL FLAME AND HEAT SOURCES AWAY FROM THIS TENT FABRIC.

This tent meets the flammability requirements of CPAI - 84. The fabric may burn if left in continuous contact with any flame source.

The application of any foreign substance to the product fabric may render the flame resistant properties ineffective.

DO NOT...

1. Do not pitch tent near an open flame.
2. Do not leave campfires unattended.
3. Do not allow CHILDREN or ADULTS to use lighted candles, matches or other flame sources in or near tents.
4. Do not use heating, lighting or cooking equipment with open flames in or near tents.
5. Do not use fuel burning/oxygen consuming

devices(i.e.heaters,lanterns,or other flame sources)inside your tent at any time.

6. Do not spray the tent with insecticide.

7. **EXTREME CAUTION:** Never use any fuel burning/oxygen consuming device, or any device that produces fumes (including stoves, lanterns, candles, hibachis, or heaters) in or around your tent. Inhalation of fumes may result in carbon monoxide poisoning, injury and/ or death.

DO ...

1. Always extinguish campfire before leaving area.
2. Exercise care when using electricity and lighting in and near tents.
3. Disassemble and store tent properly after camping to ensure the tent's longevity.
4. Always use a hammer/mallet when driving stakes into the ground.

CARE

Your tent is made of UV-Polyester fabric which is highly resistant to the sun's Ultraviolet(UV) light.

No tent can with-stand prolonged exposure to sunlight.

Sealing of Seams

Although extreme care is taken in the process of the stitching and the application of tape seaming.

The seams may require from time to time additional application of a seam sealer spray.

We do however request that all seams are treated/ sprayed annually.

On application of the spray, spray the outside seam (Ensure that you are in a ventilated area when applying)

Storage

Tents must never be rolled up or packed while damp or wet, as mildew will form within a few days.

Allow tent to dry completely before rolling up and storing away.

Structural Integrity

Although the tent is constructed to rigid specification, periods of wind and soaking rain may loosen the stakes and cause the uprights poles to loosen.

This will weaken the rigidity of the overall structure, therefore ensure that the tent storm ropes are at all times taut and correctly pegged into the ground. (This will prevent water pockets collecting in the roof, the weight of which may cause the tent poles to collapse)

WARRANTY

Warranty Term :

5 years from the date of purchase

W at ere :

Warrants to the original purchaser that its products are free from defects in material and workmanship.

What Is Not Covered:

Shall not be responsible for the natural breakdown of materials that occurs inevitably with extended use(e.g., Ultraviolet(UV)light damage on tents,exhausted zippers), or defects caused by accident, abuse, alteration, animal attack, storm damage, misuse or improper care.

What Will Do:

If after inspection we find that a product failed due to a manufacturing or material defect,we will repair or replace the product, at our option, without charge.

How to Obtain Warranty Service :

Return the product, freight prepaid, to the GIGA TENT Customer service department. For return authorization e-mail our office and obtain an Authorization number, Authorization numbers are valid for 30 days from the date of issuance, and must be obtained within 30 days of ship date. Returns will be handled in timely matter Collect shipments or shipments without return authorization will not be accepted.

Repairs:

If your Product needs service or repair due to normal wear and tear, animal attack, accident or some other reason that is not covered under the warranty we will provide the necessary service for a reasonable charge, plus shipping and handling. We require that products accepted for any repair most be properly cleaned according to our recommended care instructions. Please send your product or component that requires repair (e.g. tent fly), postage prepaid, along with a description of what needs attention.

REPLACEMENT PARTS:

Replacement parts may be ordered with consumer service at 1- 877 - TENTS 01 (873-8601)
We accept Visa Master Card and American express.

• **WWW.GIGATENT.COM** •