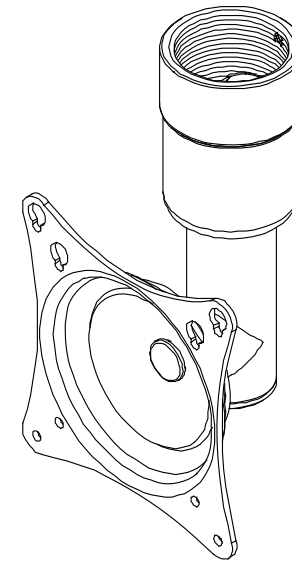
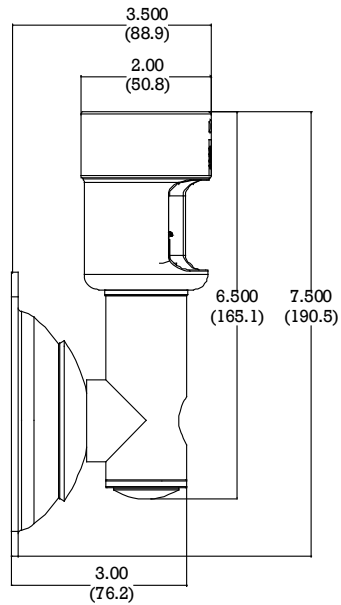
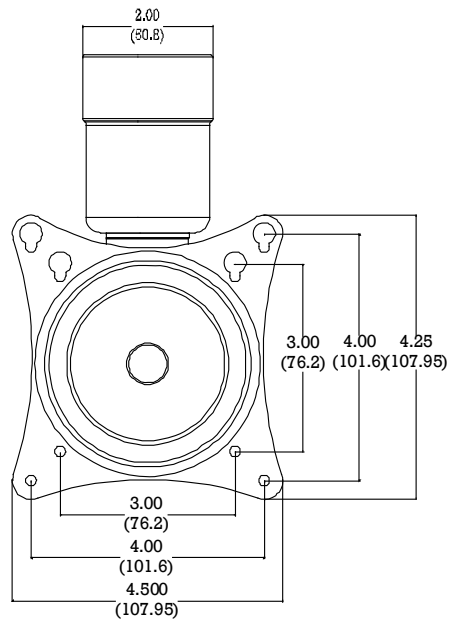
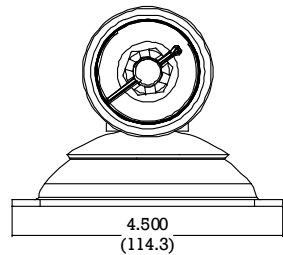


THE INFORMATION CONTAINED IN THIS DRAWING IS THE SOLE PROPERTY OF PREMIER MOUNT DIVISION OF <PMPI>. ANY REPRODUCTION IN PART OR WHOLE WITHOUT THE WRITTEN PERMISSION OF PREMIER MOUNT DIVISION OF <PMPI> IS PROHIBITED.

REVISIONS		
REV.	DESCRIPTION	DATE



UNLESS OTHERWISE SPECIFIED DIMENSIONS ARE IN INCHES TOLERANCES ARE: FRACTIONS DECIMALS ANGLES +1/32 .01 .01 2		PMPI SUSPENDED LCD CEILING MOUNT	
MATERIAL 12 GAUGE COLD ROLLED STEEL		RESP ENG Angel Contreras	DO NOT SCALE DRAWING CAD GENERATED DRAWING, DO NOT MANUALLY UPDATE
FINISH SEE NOTES:		APPROVAL Len Dozier	DRAWN BY NG DATE: 00/00/00
		SIZE B DWG. NO. PRC-LA	REV. 02
		SCALE N/A	SHEET 1 OF 1