

# Universal Projector Mounts

## PBC Series

The PBC Universal Mounts fit most projectors that weigh less than 25 lbs. They feature four double-jointed support arms (patent pending) that allow flexible positioning to reach any mounting point.

This unique design allows the mount to adapt to any standard 1 1/2" NTP for lengthening capabilities. Cables can be routed inside pipe for a neat appearance. Plus, it's backed by our industry-leading Lifetime Guarantee.



PBC Universal Mounts fit projectors up to 25 lbs

## Features

- Fits projectors under 25 lbs
- +/-20° tilt and roll
- 360° Rotation
- Mounts to traditional, vaulted or cathedral ceilings\*
- Mates with 1 1/2" NTP
- Cable routing inside pipe
- Available in three colors
- Lifetime Guarantee



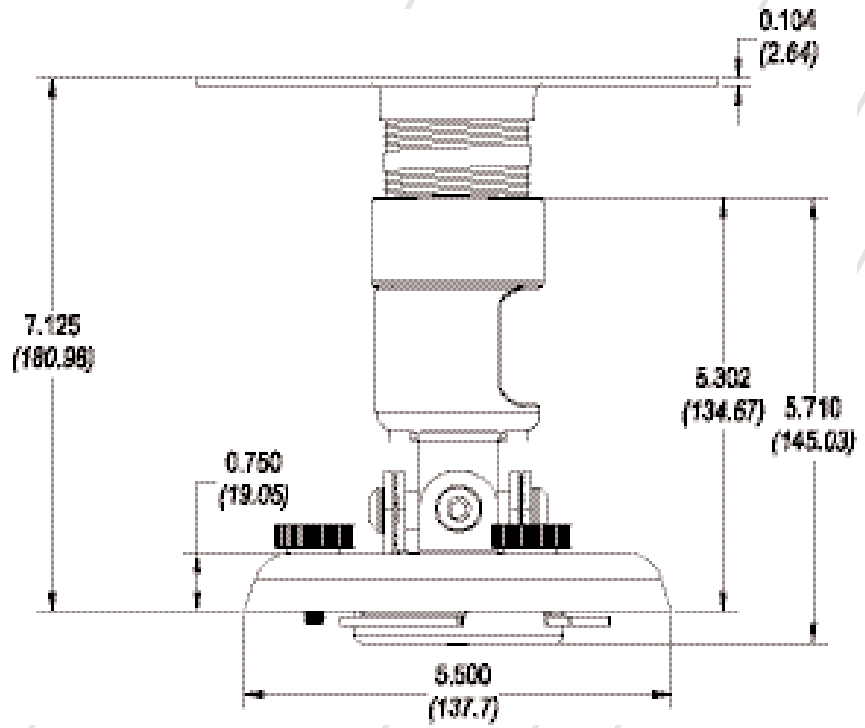
Side slot allows cable routing into pipe



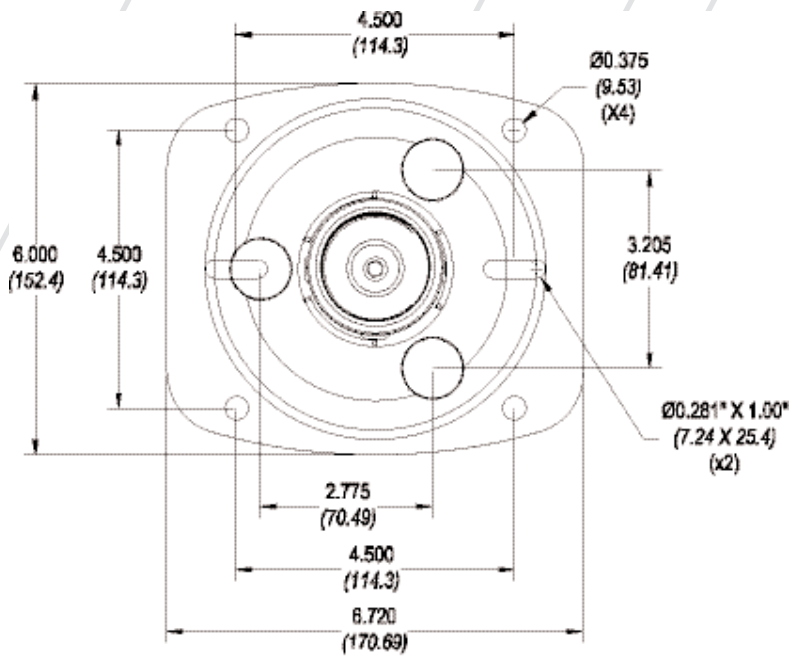
Tilt and Rotation allow optimal placement

\*Vaulted and cathedral ceilings require PP-TL Adapter

Model	Max Wt.	Color	UPC	Box Dimensions	MSRP
PBC-UMP	25 LBS	Silver	829973203177	7.5x15x5	\$199.99
PBC-UMS	25 LBS	Dark Gray	829973203047	7.5x15x5	\$199.99
PBC-UMW	25 LBS	White	829973203054	7.5x15x5	\$199.99



PBC (side view)



PBC (top view)

\*Measurements are shown in inches and millimeters (mm)

**PREMIER MOUNTS™**  
 The original holding company  
 www.mounts.com • 800.368.9700

North America  
 800.368.9700  
 800.832.4888 (Fax)

Europe  
 44.24.76.614700  
 44.24.76.614710 (Fax)

Asia  
 81.27.371.6998  
 81.27.371.6998 (Fax)

Other Locations  
 001.714.632.7100  
 001.714.632.1044 (Fax)