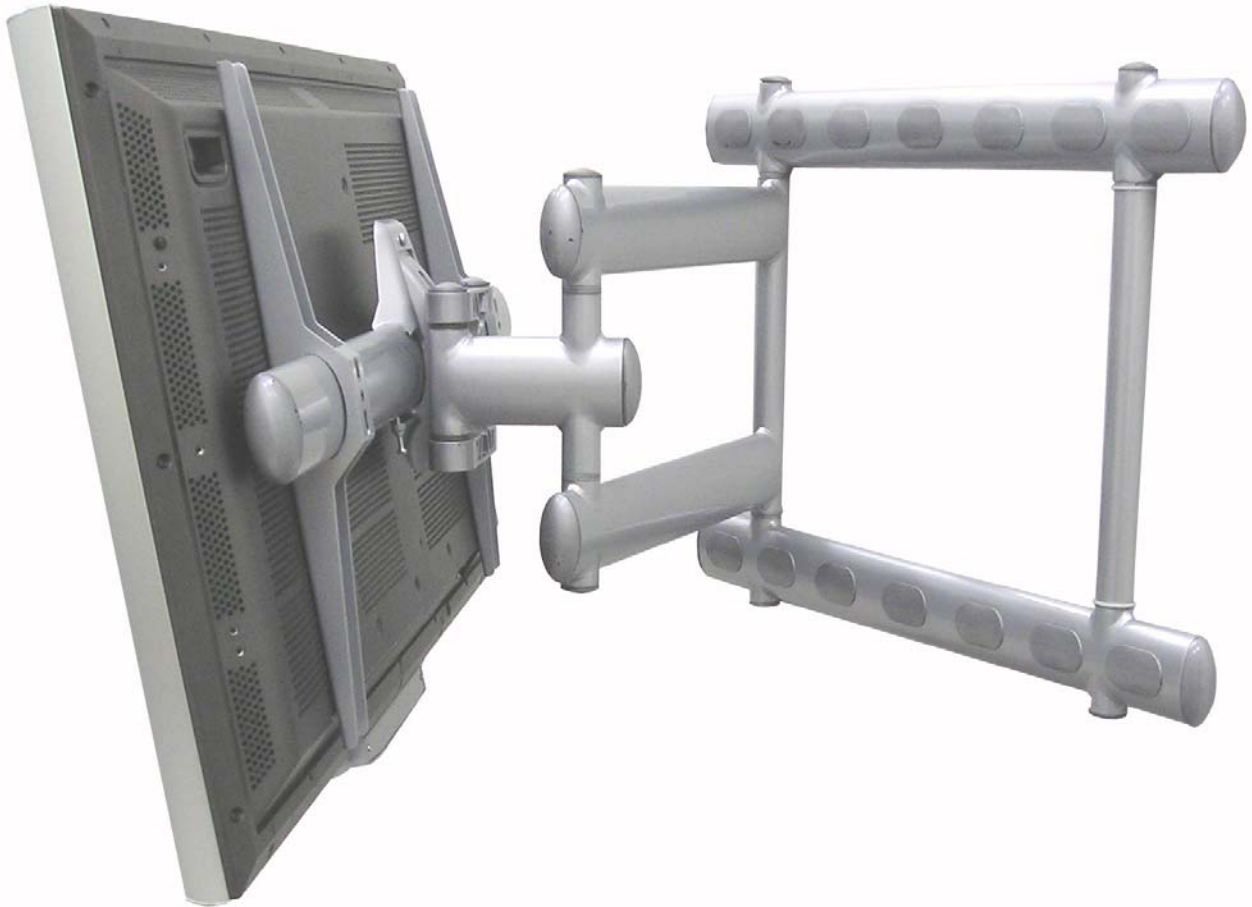


## INSTALLATION MANUAL



### **AM3** **Universal Swingout Arm**

Premier Mounts

3130 E. Miraloma Avenue  
Anaheim, CA 92806

Phone: (800) 368-9700

Fax: (800) 832-4888

[mounts@mounts.com](mailto:mounts@mounts.com)

[www.mounts.com](http://www.mounts.com)

---



### Table of Contents

**Warning Statements** ..... - 3 -

**Parts List** ..... - 4 -

**Installation Tools** ..... - 4 -

**Mount Orientation** ..... - 8 -

**Mount Installation** ..... - 9 -

**Nose Piece Orientation** ..... - 10 -

**Universal Mounting Bracket Assembly** ..... - 11 -

**Attaching the Display** ..... - 12 -

**Securing the Display** ..... - 13 -

**Tilt Positioning** ..... - 14 -

**Cable Access Holes** ..... - 14 -

**Technical Specifications** ..... - 15 -

**Warranty** ..... - 16 -

**Contact Premier Mounts** ..... - 16 -

**Notes** ..... - 16 -



## Warning Statements

**WARNING:** PREMIER MOUNTS DOES NOT WARRANT AGAINST DAMAGE CAUSED BY THE USE OF ANY PREMIER MOUNTS PRODUCT FOR PURPOSES OTHER THAN THOSE FOR WHICH IT WAS DESIGNED OR DAMAGE CAUSED BY UNAUTHORIZED ATTACHMENTS OR MODIFICATIONS, AND IS NOT RESPONSIBLE FOR ANY DAMAGES, CLAIMS, DEMANDS, SUITS, ACTIONS OR CAUSES OF ACTION OF WHATEVER KIND RESULTING FROM, ARISING OUT OF OR IN ANY MANNER RELATING TO ANY SUCH USE, ATTACHMENTS OR MODIFICATIONS.

**WARNING:** THE WALL STRUCTURE MUST BE CAPABLE OF SUPPORTING 160 LBS. IF NOT, THE WALL STRUCTURE MUST BE REINFORCED. PROPER INSTALLATION PROCEDURE BY A QUALIFIED SERVICE TECHNICIAN, AS OUTLINED IN THE INSTALLATION INSTRUCTIONS, MUST BE ADHERED TO. FAILURE TO DO SO COULD RESULT IN SERIOUS PERSONAL INJURY, OR EVEN DEATH.

**WARNING:** SAFETY MEASURES MUST BE PRACTICED AT ALL TIMES DURING THE INSTALLATION OF THIS PRODUCT. USE PROPER SAFETY GEAR AND TOOLS FOR THE INSTALLATION PROCEDURE TO PREVENT PERSONAL INJURY.

**WARNING:** PRIOR TO THE INSTALLATION OF THIS PRODUCT, THE INSTALLATION INSTRUCTIONS SHOULD BE READ AND COMPLETELY UNDERSTOOD. THE INSTALLATION INSTRUCTIONS MUST BE READ TO PREVENT PERSONAL INJURY AND PROPERTY DAMAGE. KEEP THESE INSTALLATION INSTRUCTIONS IN AN EASILY ACCESSIBLE LOCATION FOR FUTURE REFERENCE.



Indicates that the power plug is to be disconnected from the power outlet.



Contact Premier Mounts with any questions - (800) 368-9700



Safety precautions must be taken at all times.



Warning and Caution statements.



It is recommended that a maximum of 5/8" plaster board be used when mounting to wooden studs.



Do not install on a structure that is prone to vibration, movement or chance of impact. Failure to do so could result in damage to the flat panel display and/or damage to the mounting surface.



Do not install near heater, fireplace, direct sunlight, air conditioning or any other source of direct heat energy. Failure to do so may result in damage to the flat panel display and could increase the risk of fire.



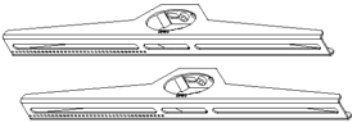


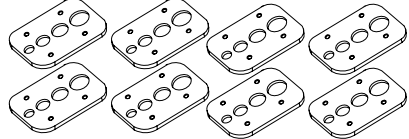
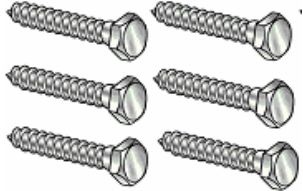

At least two qualified people should perform the installation procedure. Injury and/or damage can result from dropping or mishandling the flat panel display.



### Parts List

**NOTE:** This wall mount is shipped with all proper installation hardware and components. Make sure that none of these parts are missing and/or damaged before beginning installation. If there are parts missing and/or damaged, please stop the installation and contact Premier Mounts (800-368-9700).

<p>Swingout Arm (Qty 1)</p>	
<p>5/16" Flat Washers (Qty 6)</p>	
<p>Universal Mounting Bracket (Qty 2)</p>	


<p>Griplates™ (Qty 8)</p>	
<p>5/16" x 3" Lag Bolts (wooden studs only) (Qty 6)</p>	
<p>14mm Deep Set Socket (Qty 1)</p>	

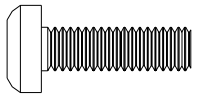
### Installation Tools

Phillips Head Screw Driver  
Pencil  
Level (Supplied)  
1/4" Drill Bit (Pilot Holes)

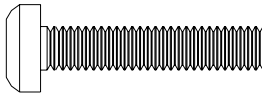
Soft Material/ Blanket      5/16" Socket and Wrench  
Tape Measure                  Drill Gun  
Thread Depth Indicator (Supplied)  
5/32" Allen Wrench (Supplied)

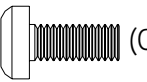


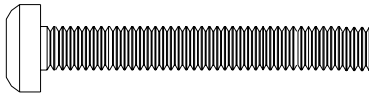
M4 x 16  (Qty 8)


M6 x 20  (Qty 8)

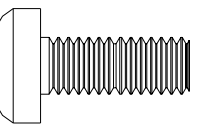
M4 x 25  (Qty 8)

M6 x 30  (Qty 8)

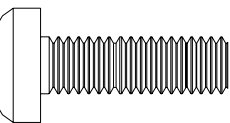
M5 x 12  (Qty 8)

M6 x 45  (Qty 8)

M5 x 16  (Qty 8)

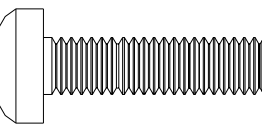
M8 x 20  (Qty 8)

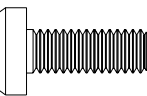
M5 x 20  (Qty 8)

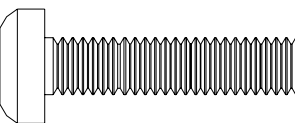
M8 x 25  (Qty 8)

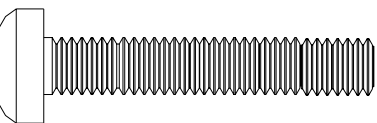
M5 x 25  (Qty 8)

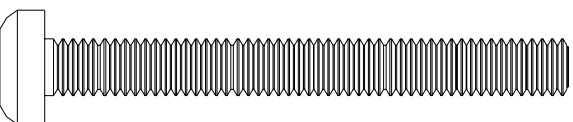
M5 x 50  (Qty 8)

M8 x 30  (Qty 8)

M6 x 16  (Qty 8)

M8 x 35  (Qty 8)

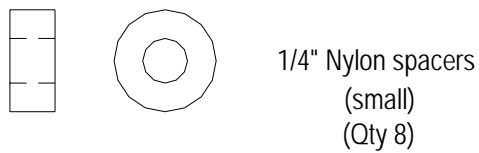
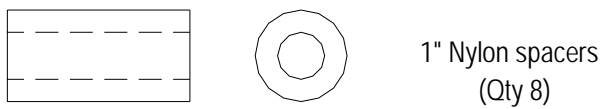
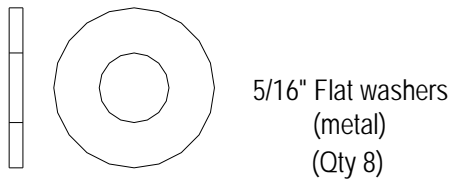
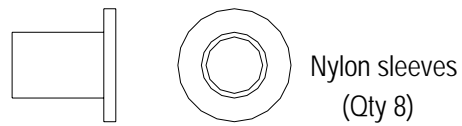
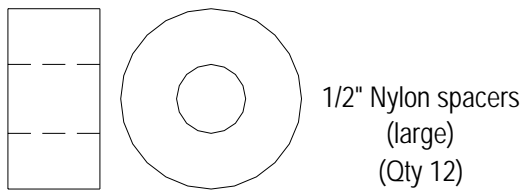
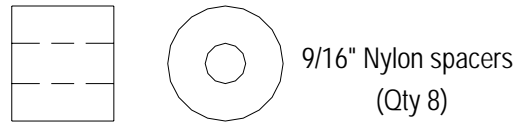
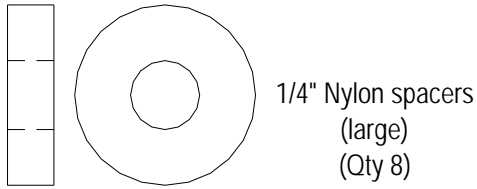
M8 x 45  (Qty 8)

M8 x 70  (Qty 4)



**Nylon spacers and flat washers' actual size**

**NOTE:** The nylon spacers may be stacked to achieve proper spacing.





## Thread Depth Indicator

1. Insert the thread depth indicator (supplied) through the thread inserts found on the back of the flat panel to make sure the inserts measure the same full depth and mark it (Figure 1).
2. Locate the correct diameter screw for the thread insert. Compare your marking to the screws (supplied).
3. If your selected screw is longer than the marking on the thread depth indicator, **DO NOT USE** this screw.
4. The screw length must not bypass the marking. Select another screw size (Figure 2 and 3), until you find one that comes closest to your mark without going past.

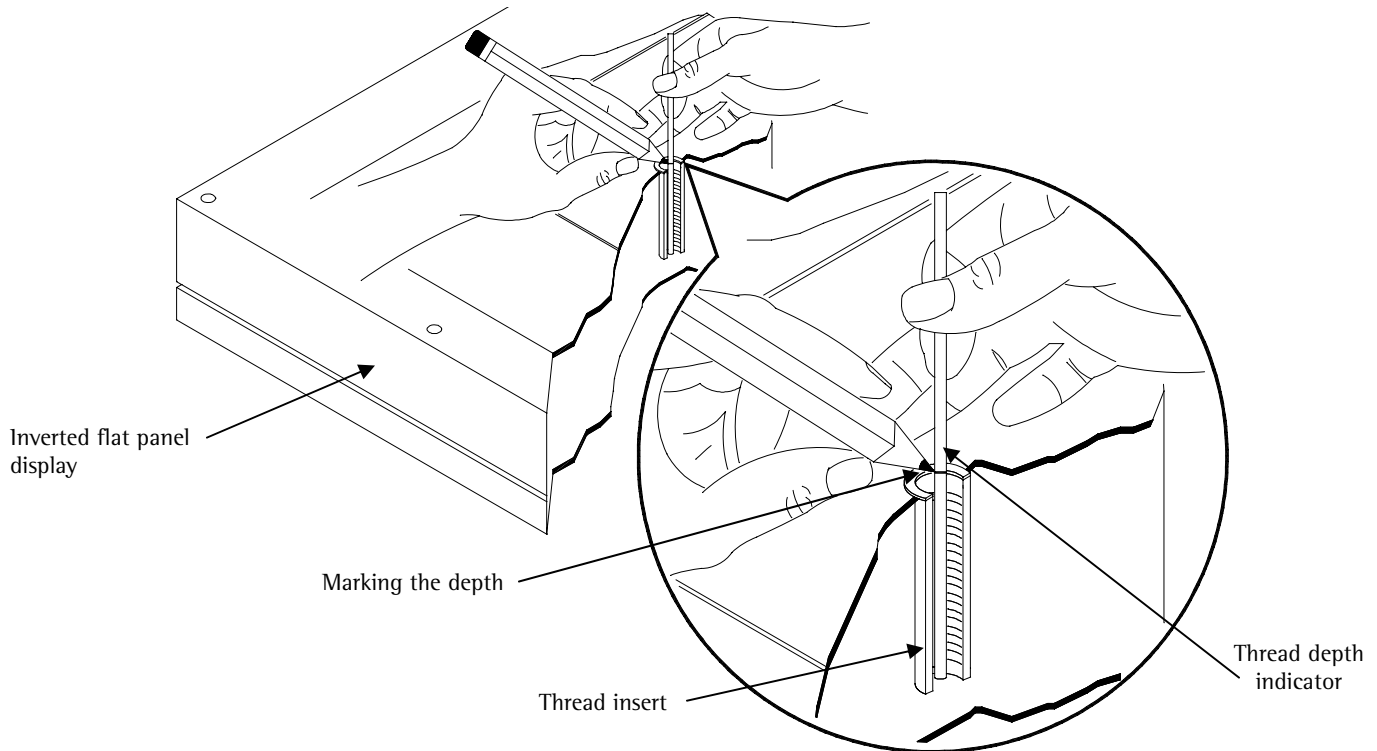


Figure 1

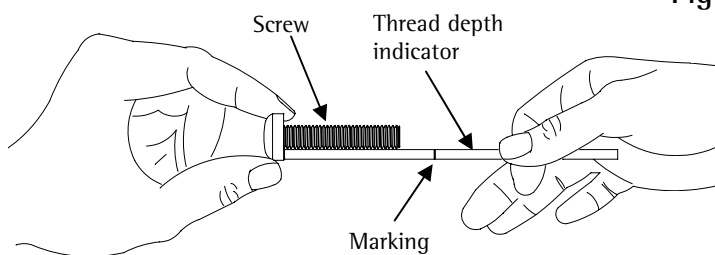


Figure 2

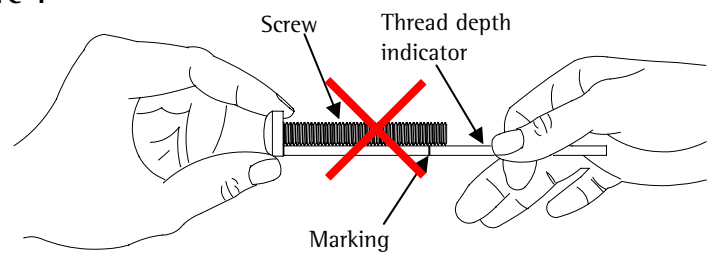


Figure 3



### Mount Orientation

The AM3 Plasma Mount has the built-in capability of mounting with the swingout arm on either the left or right-hand side.

**WARNING:** WHEN MOUNTING THE AM3, THE SIDE THAT THE SWINGOUT ARM IS LOCATED ON MUST HAVE A LAG BOLT MOUNTED ON AT LEAST ONE SIDE (SEE FIGURE 1), TOP AND BOTTOM.

1. To change the mount orientation, choose the desired side that the mount will open to, left or right.
2. Once the side has been determined, attach the mount to the wall.

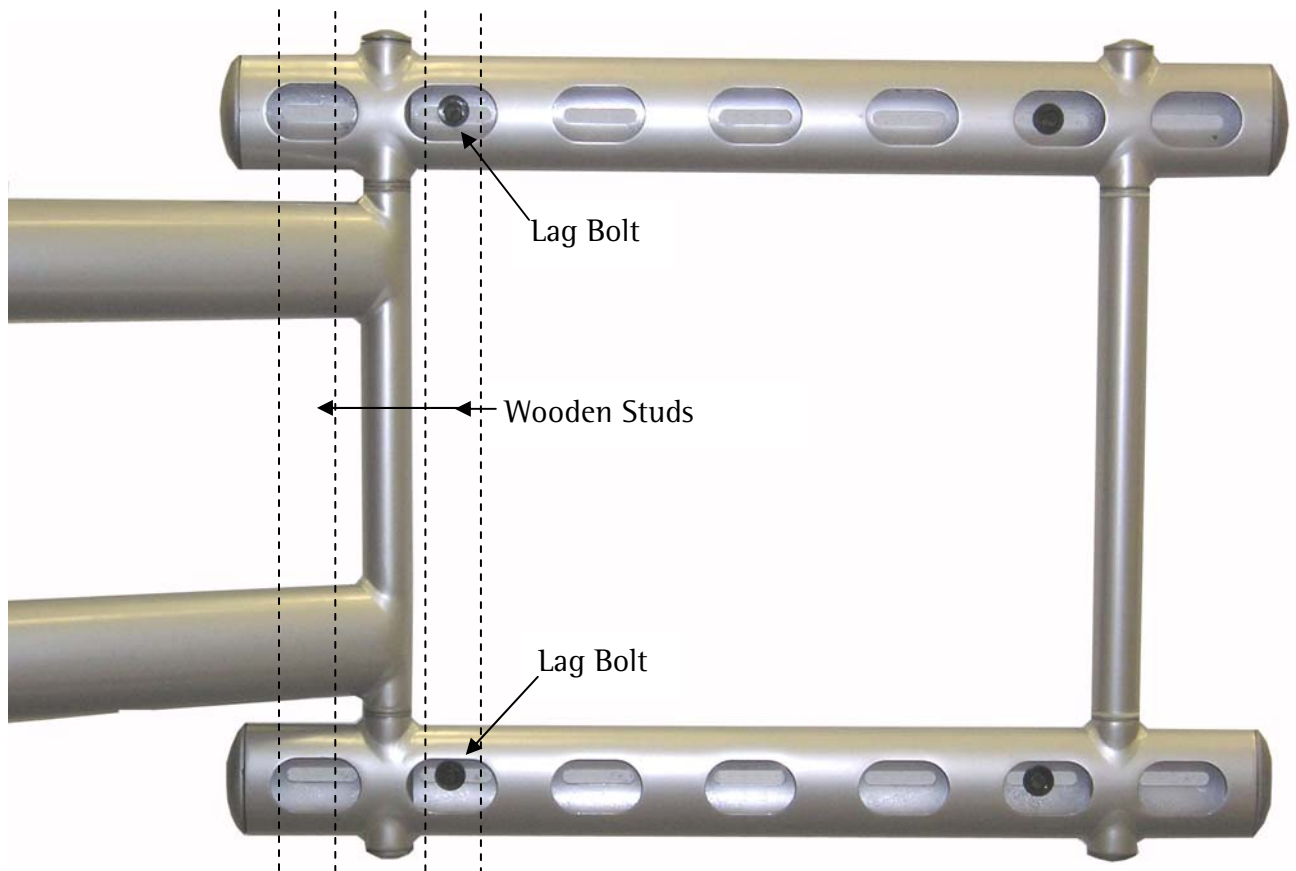


Figure 4



Left Side Orientation

Right Side Orientation

Figure 5





## Mount Installation

**NOTE:** Before proceeding with the mount installation, you should already have the mounting holes pre-drilled. Please use the template (supplied) and follow the instructions.

**NOTE:** For ease of installation, it is recommended that two people perform the installation.

**WARNING:** WHEN MOUNTING THE AM3, THE SIDE THAT THE SWINGOUT ARM IS LOCATED ON MUST HAVE A LAG BOLT MOUNTED ON AT LEAST ONE SIDE (SEE FIGURE 1, PAGE 9), TOP AND BOTTOM.

1. After the holes have been pre-drilled, line up the mounting slot openings with the pre-drilled holes.
2. Insert four (4) 5/16" x 3" lag bolts and washers into the mounting holes and tighten (Figure 6).
3. Before tightening down the lag bolts, place a level (supplied) on the top rail and make sure that the mount is level. Once the mount is level, tighten all of the lag bolts using a 5/16" deep set socket.

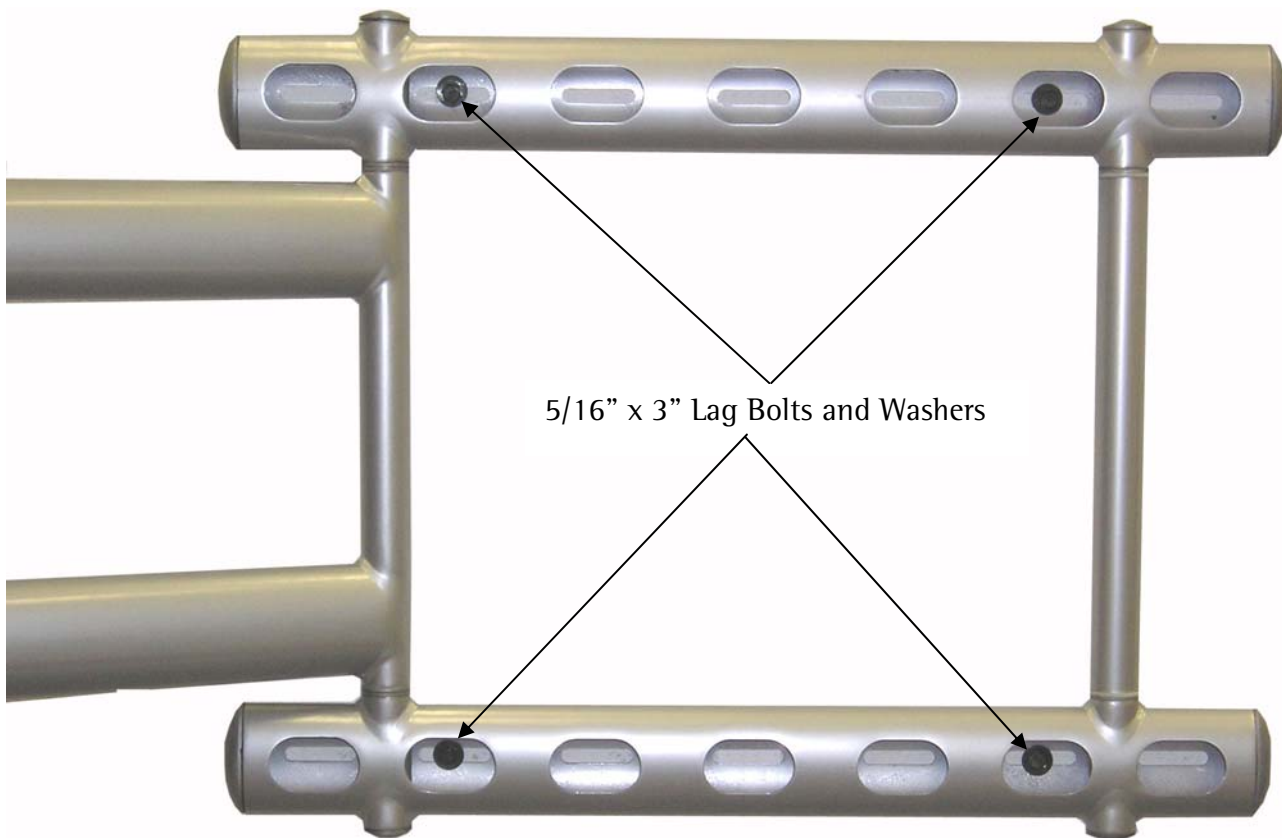


Figure 6



## Nose Piece Orientation

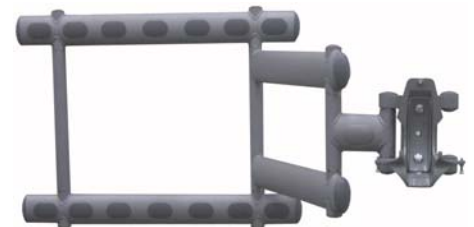
Rotate Nose 180°  
counter-clockwise



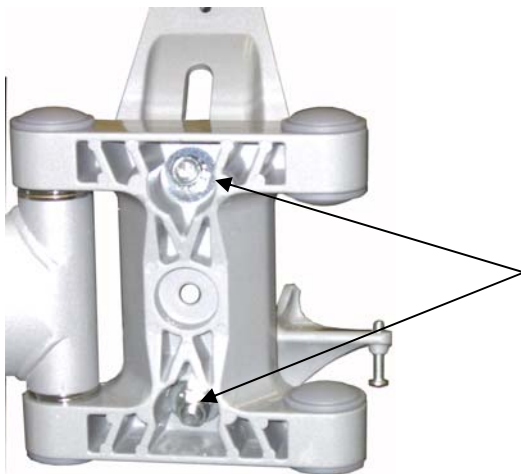
Left Hand Orientation



Figure 7



Right Hand Orientation



Back Side of Nose Piece

Tension Bolts



Front Side of Nose Piece

Figure 8

1. Once the mount has been oriented and mounted to the wall, remove the nose piece by removing the tensions bolts.  
**NOTE:** After loosening the tension bolts, be sure that the nose piece is held together tightly before rotating.
2. Detach the nose piece assembly, rotate 180°, and place back onto the mount (Figure 7).
3. Slide the tension bolt back into the holes and attach the nuts from the backside of the nose assembly. Tighten the tension bolts. (Figure 8).



## Universal Mounting Bracket Assembly

1. Place the universal bracket bar and the universal brackets on a flat surface.
2. Slide the universal brackets onto the universal bracket bar (as shown in Figure 9) with the set screws facing up.
3. Place the display on a soft, flat surface, face-down. Next, place the universal bracket assembly on the back of the display, with the universal brackets resting directly over the display mounting points.
4. Once the desired position has been determined, place the griplates over each mounting point (dimples facing up) and secure them using the appropriate hardware (see Page 5).
5. At this time, center the universal bracket bar and tighten the set screws that are located on the universal brackets.

**NOTE:** For the two upper mounting points, the dimples (griplates) must be facing up. For the two lower mounting points, the dimples (griplates) must be facing down.

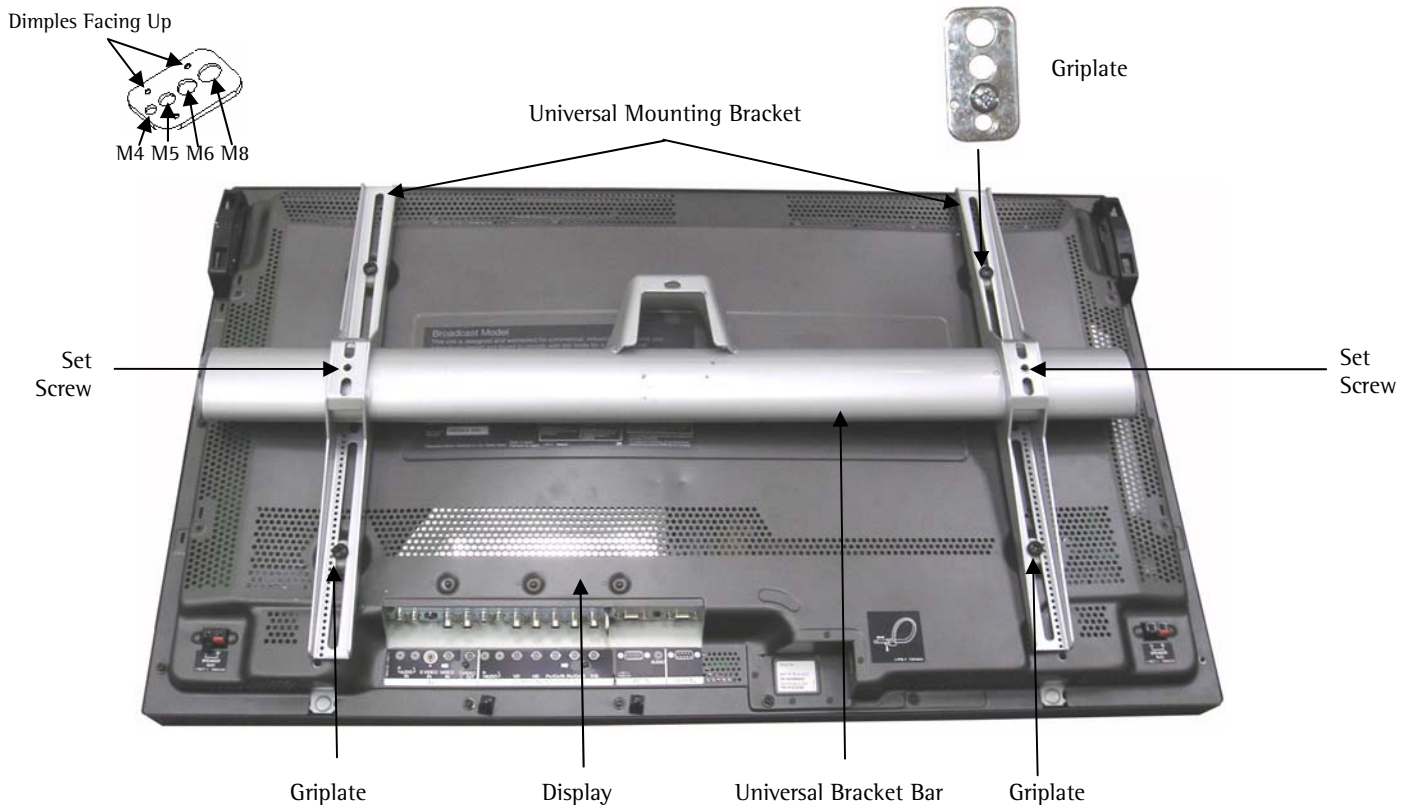


Figure 9



## Attaching the Display

**WARNING:** ONCE THE UNIVERSAL BRACKET BAR ASSEMBLY HAS BEEN ATTACHED TO THE DISPLAY, IT IS RECOMMENDED THAT TWO PEOPLE MOUNT THE DISPLAY, AS THE UNIT IS HEAVY AND, IF DROPPED, WILL DAMAGE THE MOUNT, THE DISPLAY, AND/OR PERSONNEL.

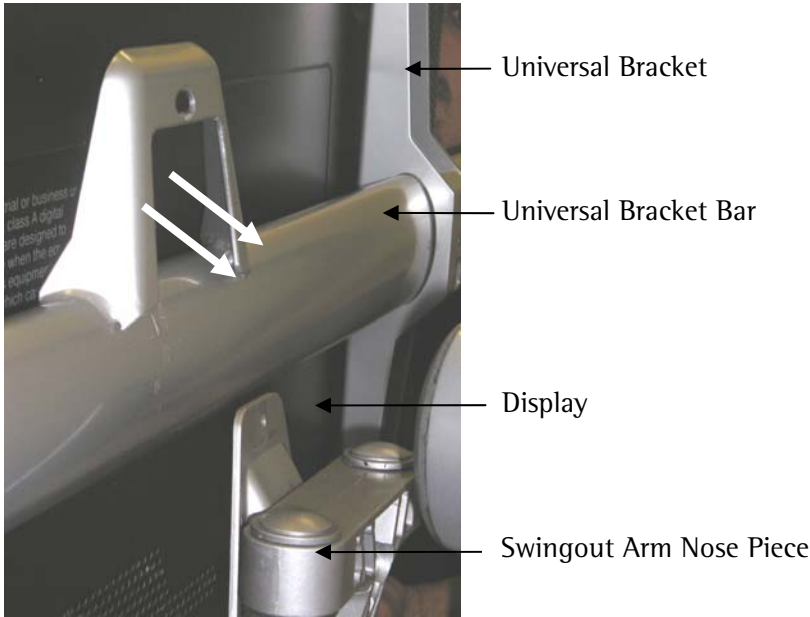


Figure 10



Figure 11

1. Slide the display assembly onto the nose piece of the swingout arm.



Figure 12

2. This is how the units will look when properly fitted together.



Figure 13

3. Use the M6 x 12mm Phillips Head screws to lock the two units together. Tighten the screws.



## Securing the Display

Once the two units have been secured together, the two (2) M6 x 30mm Phillips Head locking screws must be installed in the noted location (Figure 14) to prevent any movement.

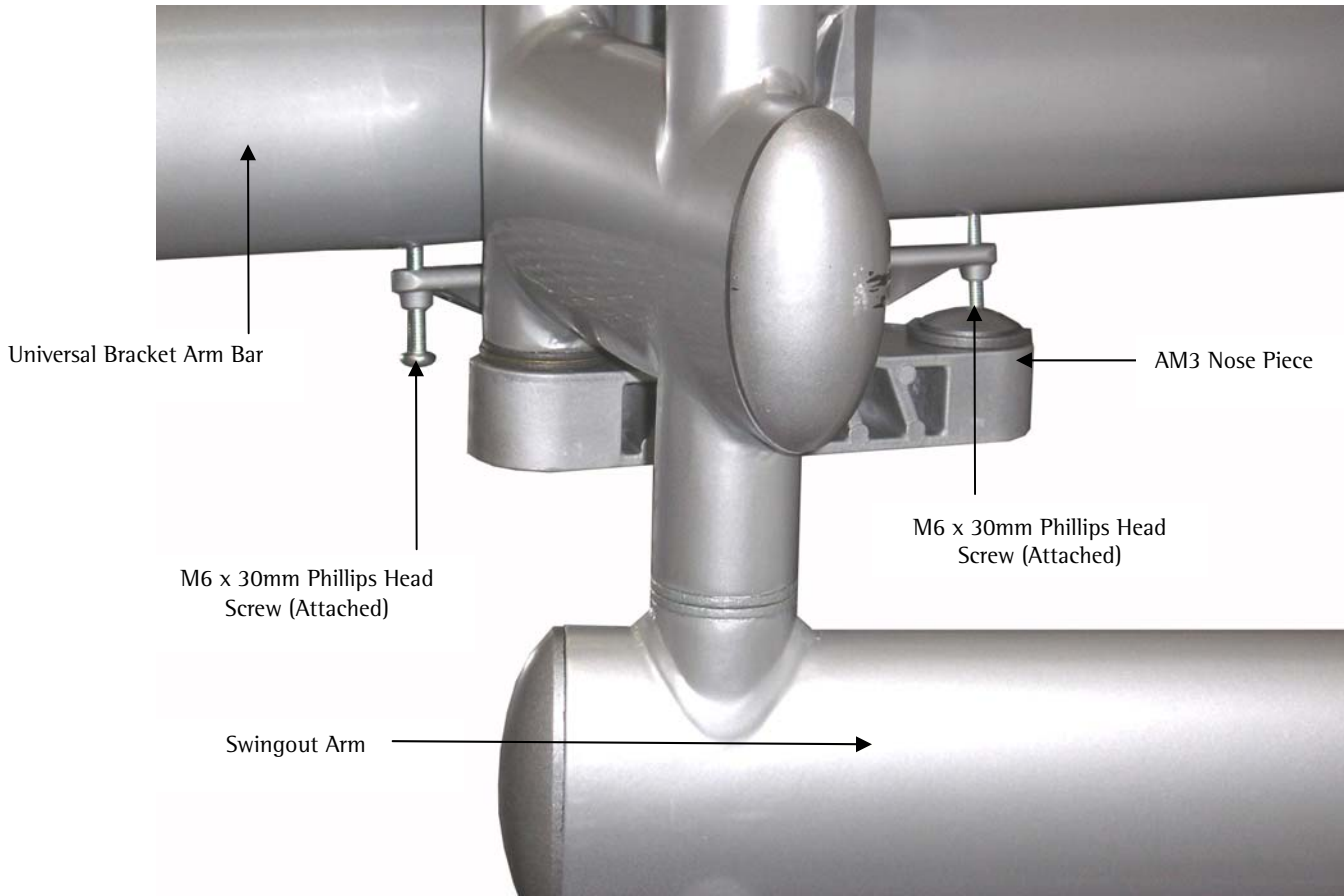


Figure 14



## Tilt Positioning

**NOTE:** TO ADJUST THE DISPLAY, LOOSEN THE TENSION BOLTS NO MORE THAN 1/2 TURN, MAKE THE ADJUSTMENTS AND THEN TIGHTEN THE TENSION BOLTS.

When tilt positioning is needed to adjust the display, place a hand at the top corner of the display and the other hand at the bottom of the display (Figure 15).

### To Tilt the Display

Gently push both hands inward. This motion will cause the display to tilt forward.

### To Tilt the Display Back

Gently push both hands outward. This motion will cause the display to tilt forward.

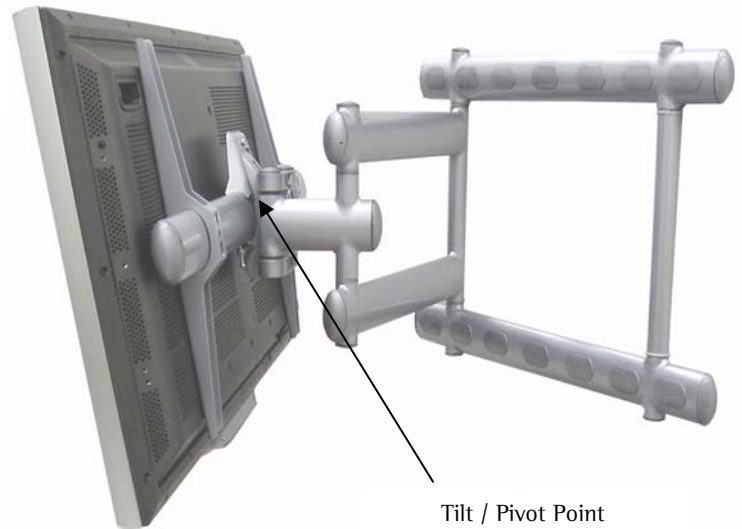


Figure 15

## Cable Access Holes

Once the display has been mounted and adjusted, route the cables through the cable access holes and to their respective locations (Figure 16)

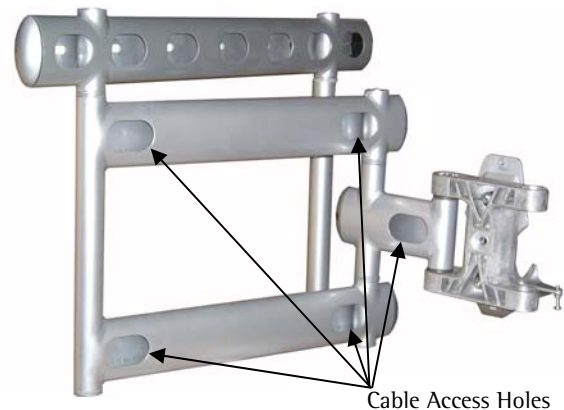


Figure 16



# Technical Specifications

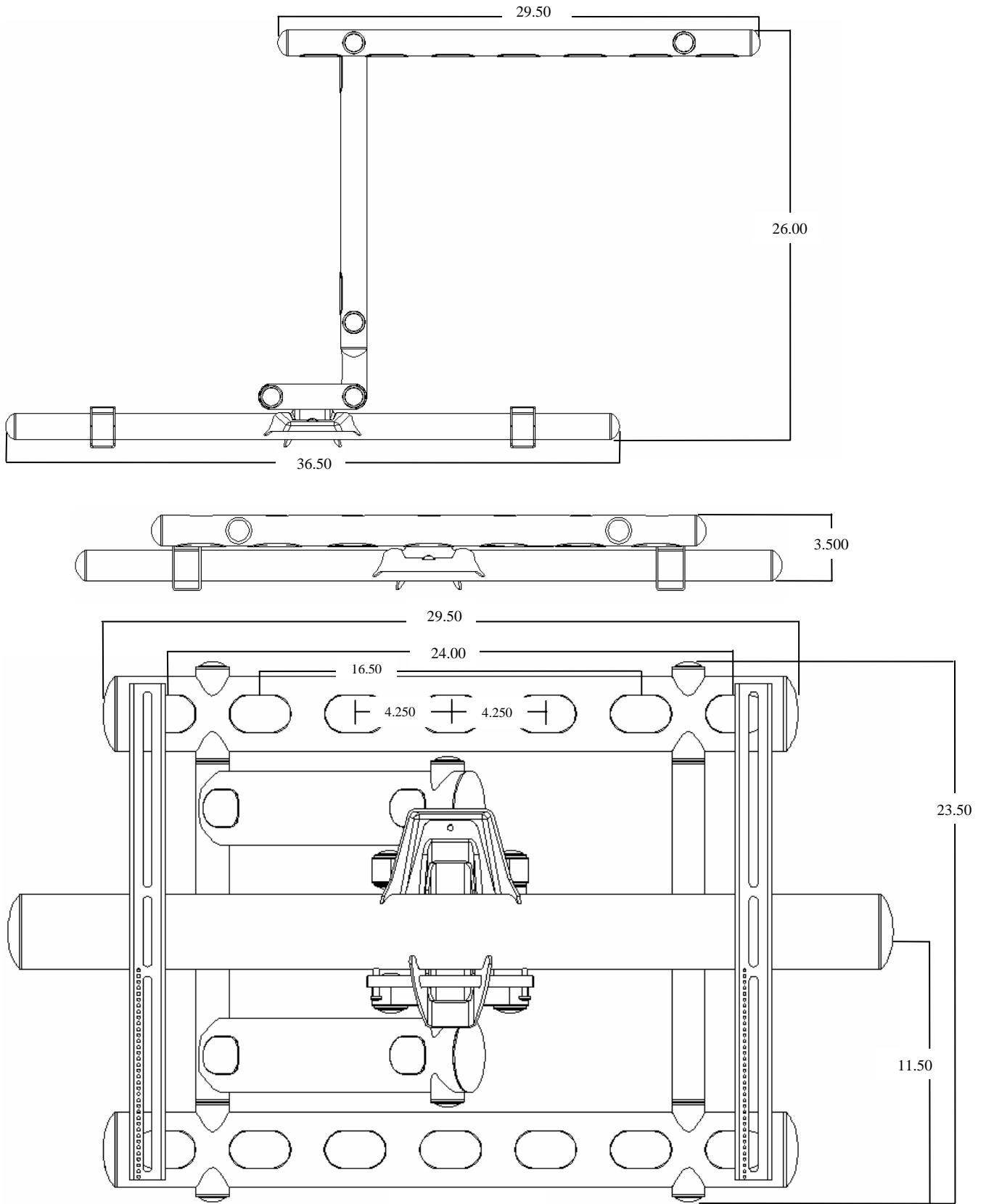


Figure 17



## Warranty

### Limited Lifetime Warranty

All Premier Mounts products carry a limited lifetime warranty from ship date against defects in materials and workmanship. Premier Mounts is not liable for improper installation that results in damage to mounts, adapters, display equipment or personal injury.

#### DISCLAIMER OF WARRANTY

**THE FOREGOING WARRANTY IS IN LIEU OF ALL OTHER WARRANTIES, EXPRESS OR IMPLIED, INCLUDING BUT NOT LIMITED TO THE IMPLIED WARRANTIES OF MERCHANTABILITY AND FITNESS FOR A PARTICULAR PURPOSE.**

### Contact Premier Mounts

In the event of missing and/or damage equipment, or technical questions, the following information can help in the completion of the installation.

Customer Service – (800) 368-9700

Technical Support – [techsupport@mounts.com](mailto:techsupport@mounts.com)

## Notes



#### NORTH AMERICA

3130 East Miraloma Avenue  
Anaheim, CA 92806 USA  
USA and Canada –  
Phone: 800-368-9700  
Fax: 800-832-4888

#### EUROPE

Swallow House,  
Shilton Industrial Estate,  
Shilton, Coventry, England CV79JY  
Phone: +44 (0) 2476 614700  
Fax: +44 (0) 2476 614710

#### ASIA

Nakaizumi 607-7,  
Gunma-machi, Gunma-gun  
Gunma-ken 370-3524, Japan  
Phone: 81-27-371-6998  
Fax: 81-27-371-6308

Other Locations – Phone: (001)-714-632-7100; Fax: (001)-714-632-1044

©Premier Mounts 2005