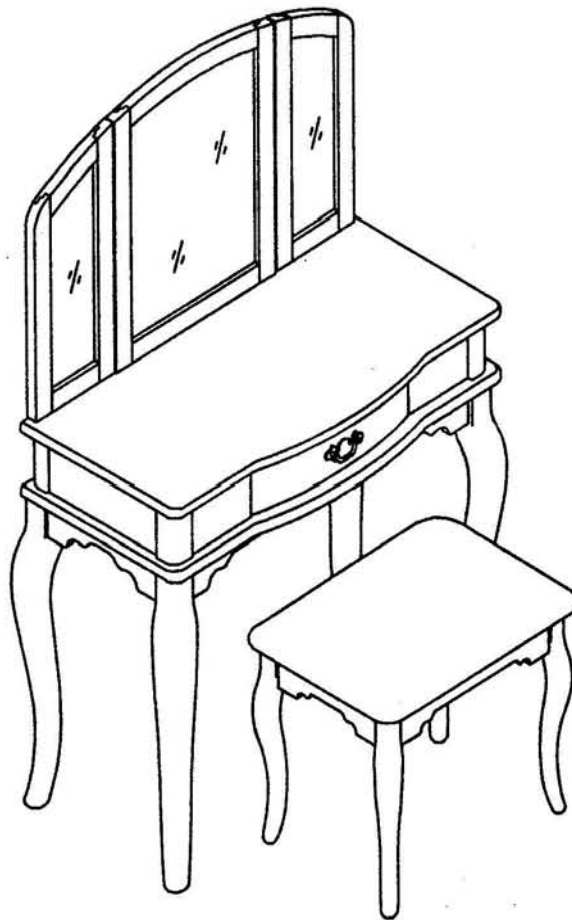


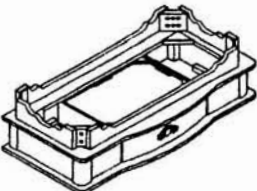





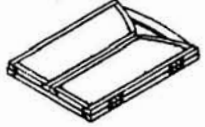




ASSEMBLY INSTRUCTION

F4067



ASSEMBLY INSTRUCTION

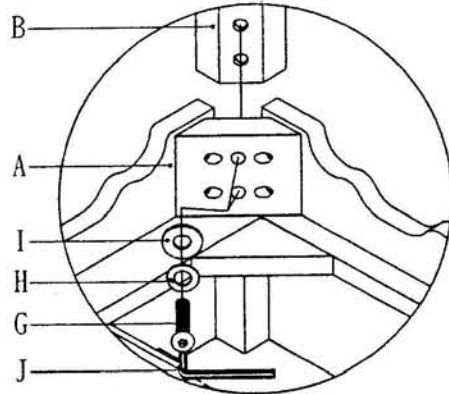
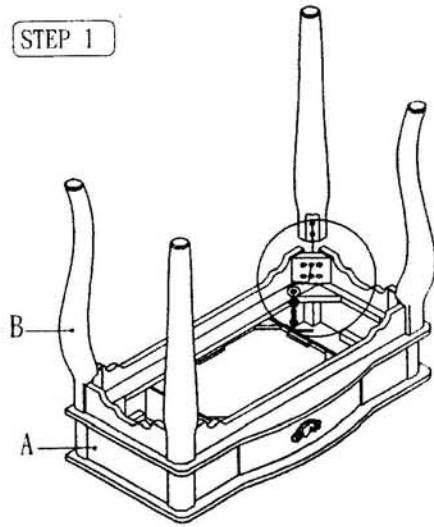
F4067

NO.	PARTS	QTY.	NO.	PARTS	QTY.
A		1	G		16
B		4	H		16
C		2	I		16
D		1	J		1
E		1	K		8
F		4			

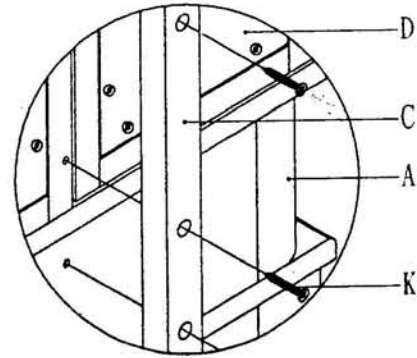
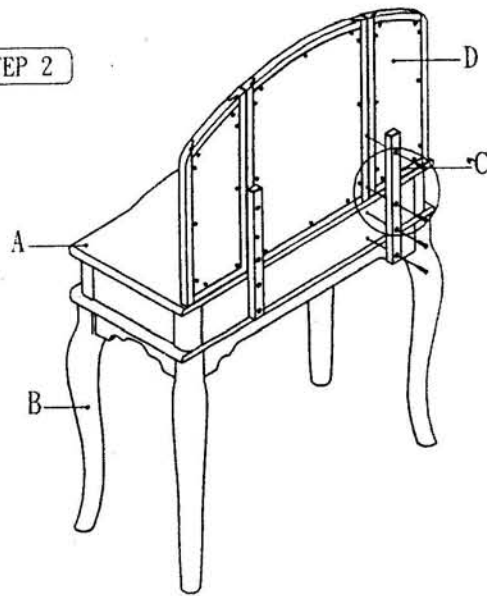
ASSEMBLY INSTRUCTION

F4067

STEP 1



STEP 2



STEP 3

