

~ 1 ~

## Steam Shower Manual

Model: M-301



~ 2 ~

## Important Safety Information

### IMPORTANT

The following must be observed for safe and proper installation and operation. Professional installation is recommended, faulty electrical work may increase the risk of fire.

1. Always consult with a physician before using a steam shower.
2. Children should never use steam shower without adult supervision.
3. If you become dizzy, lightheaded or nauseas you should discontinue use immediately and consult a physician.

**WARNING:** Individuals who are intoxicated, or have been diagnosed with high blood pressure, or other heart problems should not use steam showers without prior medical consent.

## Table of Contents

Notice.....	4
Features.....	5
Water & Electrical Connections .....	5
Installation .....	7
Specifications.....	9
Sauna Control Panel Instructions.....	10
Steam Room Control Panel Instructions.....	11

## Notice

- Do not disconnect any hose or joints from the acrylic panels.
- All seams must be sealed with 100% silicone caulk
- Remove all protective plastic before assembly
- Tighten and reseal any and all loose fittings, jets and fixtures.
- All electrical work should be done in accordance with local safety standards.
- Water lines must be active before unit is powered up.

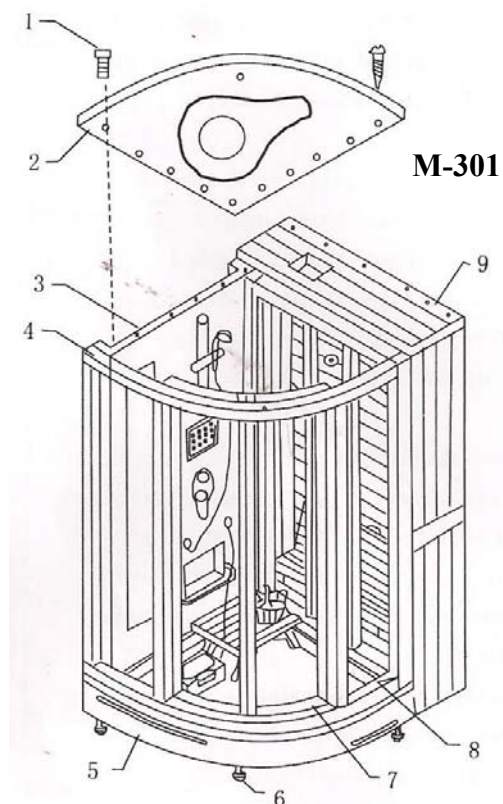
### Features

- Massaging Jets
- Rainfall Showerhead
- Hand Held Showerhead
- Foot massager
- Molded Seating area
- Luxurious Glass Enclosure
- Aromatherapy machine
- Digital Control Panel
- Self Cleaning steam box
- Telephone
- Circulation Fan
- Radio/ CD-MP3 connection
- Sauna Box
- Sauna Control machine

### Water and Electrical Connections

- To avoid scalding the incoming water temperature should never exceed 122° Fahrenheit.
- Water pressure must stay within the range of 30-70 psi.
- 2 Hot/Cold shutoff valves with ½ male pipe threads are required (not included).
- 1-220 volt 30 amp GFCI breaker with internal neutral wire is required (10-12 gauge wire).
- **It is not advised to use the steam room and sauna at the same time.**
- To run both sauna and steam room simultaneously, you have to run 2 separate lines to both heaters using 12-2 wire and 2-220volt – 20 amp GFCI Breakers with internal neutral wire.

### Installation



#### Key:

- 1.bolts 2.lid 3.back of the steam shower 4. Side clamp bar
- 5.base 6.anchor bolts 7.moveable glass door 8.stationary glass door 9.back of sauna

### Required tools

- Crescent wrench
- #2 Philips head screw-driver (electric if possible)
- Strait head screw-driver
- Level
- Caulk gun with 100% silicone caulk
- Customer support—call 866-STEAM-61

### Installation Instructions for M-301

#### Sauna

Step ONE: **Getting started:** Place the base in the appropriate position and adjust the anchor bolt to level the base. Tighten the screw cap of the anchor bolt. Remember to caulk in-between all panel and base and top. This is a steam shower. All seams and joints MUST be sealed.

Step TWO: **Putting together the sauna:** The back of the steam shower should be connected to the side panel of the sauna with the vent (located near the floor). The back of the sauna is the largest wooden panel (9). The smaller wooden panel with the glass window is the front of the sauna, which is also the front of the unit. See diagram for more details.

#### Step THREE: **Putting together the steam shower:**

Place the main acrylic panel on the base and secure it with nuts and bolts. Install the stationary glass door with the moveable glass door and then place them on the base. Connect and tighten it with the sauna and the back of the steam shower. Connect the top with the sauna and glass frames and the back of the steam shower. Move the completely installed unit to the wall corner as originally desired. Remember to caulk all seams and joints. This is a steam shower and all seams and joints MUST be sealed. Do the final finish caulk on the inside of the steam shower room.

Step FOUR: **Water and electrical connection:** Connect the cold and warm water pipes. See more details on page 5 for water and electrical specifications. For electrical information see the back of the main control box for additional information.

**Do not** connect the wire with ozone (O3).

Connect the power source to the electrical connection box on the back of the unit using 10-2 or 12-2 wires on a dedicated circuit. The circuit breaker should be 20 AMP GCFB with a internal neutral wire.

\*All four sides must have enough clearance to be accessible for installation.

#### **220 Volt Unit:**

Brown Wire-Hot

Blue Wire-Hot

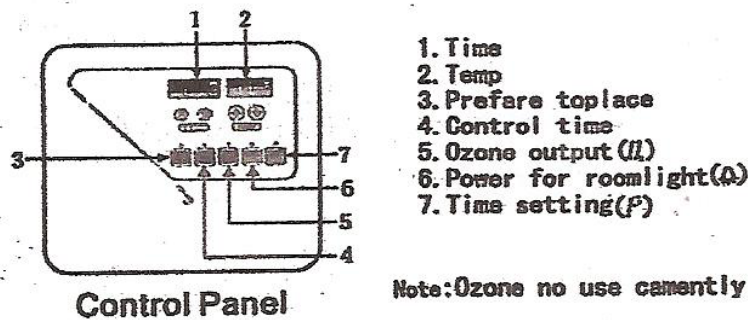
Yellow/Green Wire-Ground

Reminder: After assembly do not move unit for at least five (5) days to ensure that caulk has dried completely.

### How to Use:

#### Sauna: Control Panel

- The control panel is splash-proof, but should be installed in a dry place near the sauna room.
- The sensor unit must be installed to the wall inside of the sauna room.



Instructions/Safety Regulations for Sauna Control Panel:

1.) When powering up first time display panel will read:

00:00    XX  
 H:M    TEMP

The Clock is a 24-hour clock/timer  
 The Temp is ambient temperature

To set **clock** to current time:

Press + hold the **H button** until the displayed number is the same as the current time. The light has to be flashing to change the time. Repeat the same procedure for by pressing the **M button** for minutes. The light will flash for a few seconds and then it will stop. This will set your clock.

To set **duration and temperature** for sauna:

Press power button (this must be ON to set temperature and duration). The unit is now ON. Press **Control Time button** and press the **H and M** buttons for the duration desired. Press **Control Time** again to set the time for the sauna. Press **Temp** buttons to desired temperature using the up and down arrows. Press **P** to shut unit OFF.

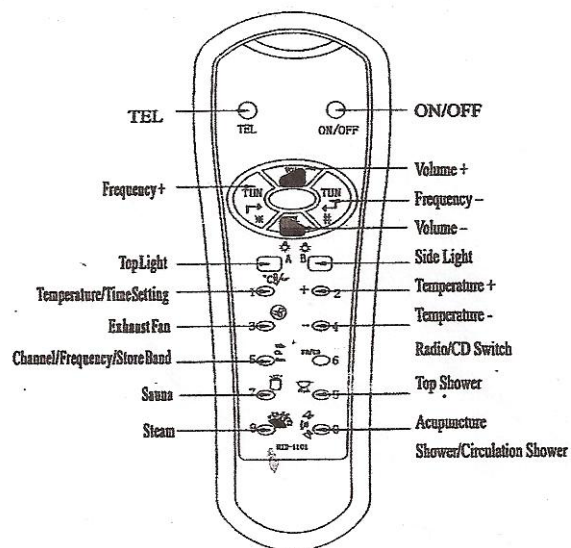
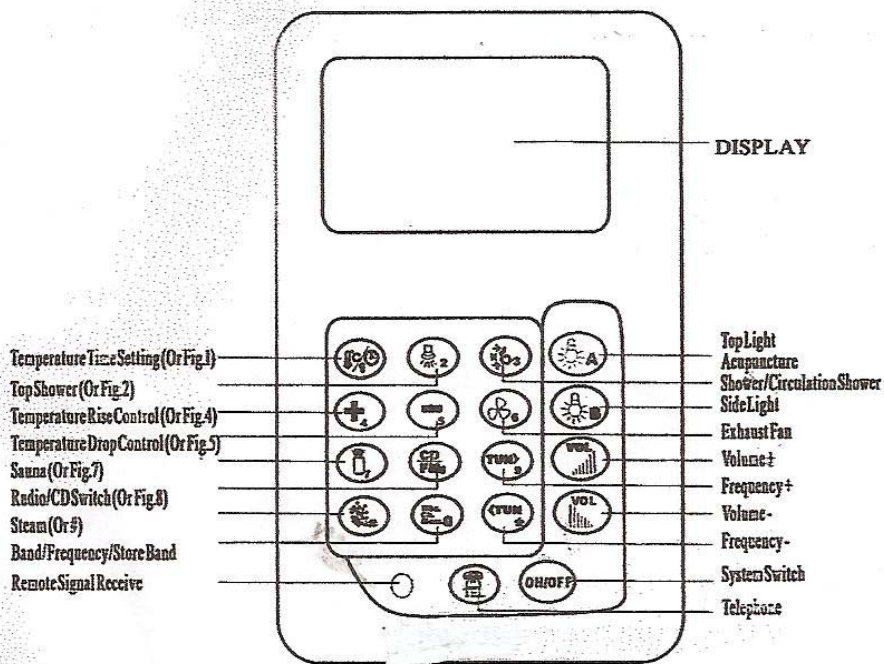
To set up **Auto-Start Feature**:

Press **Prepare to Place**. The light will flash. Set Clock buttons to the desired time you wish the Sauna to start. Once that is completed, press the **P (power button)** and the current time will be displayed and the **Prepare to Place** button will remain lit. The temperature of the sauna will be the same as the last time that it was used and the duration will be default at 4 hours.

To turn off the Auto-Start feature, press **P** and the **Prepare to Place** button's light will turn off. The Auto-Start feature is now OFF.

\*\*\*Please note: Time and Temperature will always be ON.

### Steam Room: Control Panel



- 1.) When the display shows “----” this means that there is no CD and the radio is not tuned. Please insert a CD or tune the Radio.
- 2.) The Ventilator Switch, Steam switch, Top Shower Switch, Top Light Switch and the Side Lamp Switch are all single functional switches. After pressing System Switch ON, press these switches to use these options. To turn them off, press the switch again.
- 3.) Acupuncture Shower/ Circulation Shower Function: After pressing System Switch ON, press Acupuncture/Circulation Shower switch to start Upper shower function, press it a second time to switch to the Mid Shower Function, press it a third time to switch to Lower Shower Function, press it a fourth time to switch it to the Circulation shower function, press it a fifth time to stop. (Upper, middle and lower shower functions are not available simultaneously)
- 4.) Radio: Press on, press “CD/FM” switch to enter into the Radio function. To change stations, press “TUN”.

5.) To Store a station in the Memory, select the station and then hold “Band/Frequency/Store Band” key until the screen displays “Mem”. At most 26 stations can be stored.

6.) Volume: When “CD/FM” is ON, hold “VOL” switch.

7.) Time Temperature Setting: When steam is ON, press “Time/Temperature Setting” switch. To set the time and temperature of the steam, press “+” or “-“.

8.) Dry Steam: Press “Dry Steam” switch to turn on the dry steam unit. Press is again to turn it off. Dry steam and wet steam cannot be turned on at the same time.

9.) ON/OFF: Press the ON/OFF switch to turn the unit ON. This will automatically turn the top lamp lights on. To turn it off press the ON/OFF switch again.

10.) Telephone: When there is an incoming call, the system will automatically turn off the CD and Radio functions and the speaker will “ring”. Press “TEL” switch to answer the call (speaker phone). Press “TEL” again to end the call. To Dial out, press “TEL” switch to dial a number. Then press the number keys on the panel to dial the number, press “TEL” again to end the call. When “TEL” is ON during a call, you can adjust the volume by pressing “VOL”.

11.) Ozone function: After turning the unit OFF, the system will automatically turn ON the Ozone function and sterilize for 10 minutes (do not stay in the room during these 10 minutes because it generates a bad smell).