

~ 1 ~

Steam Shower Manual

Model: M-A021



Important Safety Information

IMPORTANT

The following must be observed for safe and proper installation and operation. Professional installation is recommended, faulty electrical work may increase the risk of fire.

1. Always consult with a physician before using a steam shower.
2. Children should never use steam shower without adult supervision.
3. If you become dizzy, lightheaded or nauseas you should discontinue use immediately and consult a physician.

WARNING: Individuals who are intoxicated, or have been diagnosed with high blood pressure, or other heart problems should not use steam showers without prior medical consent.

Table of Contents

Notice.....	4
Features.....	5
Water & Electrical Connections	5
Installation	6
Specifications.....	7
Steam Room Control Panel Instructions.....	11

Notice

- Do not disconnect any hose or joints from the acrylic panels.
- All seams must be sealed with 100% silicone caulk
- Remove all protective plastic before assembly
- Tighten and reseal any and all loose fittings, jets and fixtures.
- All electrical work should be done in accordance with local safety standards.
- Water lines must be active before unit is powered up.

Features

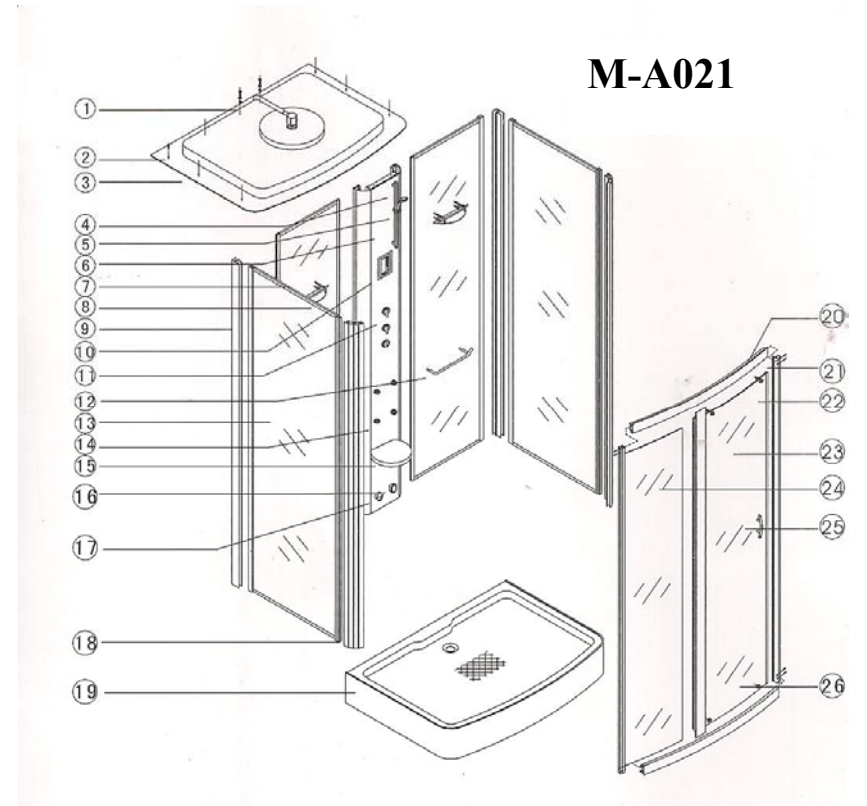
- Massaging Jets
- Rainfall Showerhead
- Hand Held Showerhead
- Foot massager
- Fold up seat
- Luxurious Glass Enclosure
- Aromatherapy machine
- Digital Control Panel
- Self Cleaning steam box
- Telephone
- Circulation Fan
- Radio/ CD MP3 connection
- Remote control

Water and Electrical Connections

- To avoid scalding the incoming water temperature should never exceed 122° Fahrenheit.
- Water pressure must stay within the range of 30-70 psi.
- 2 Hot/Cold shutoff valves with ½ male pipe threads are required (not included).
- 1-220 volt 20 amp GFCI breaker with internal neutral wire is required (10-2/ 12-2 gauge wire).

Installation

M-A021



Key:

- 1.M6x20 screw
- 2.ST4x10
- 3.Top
- 4.Sliding bar
- 5.Shower
- 6.Main Panel
- 7.Rear fixed glass
- 8.Shelf
- 9.Corner aluminum frame
- 10.Control panel
- 11.Mixer
- 12.Towel rail
- 13.Side fixed glass
- 14.Acupuncture jets
- 15.Bench
- 16.Steam jets
- 17.Water outlet
- 18.Bounds edge of front turning corner
- 19.Base
- 20.Guide rail
- 21.ST4x30
- 22.Magnetic strip
- 23.Sliding door
- 24.Front fixed glass
- 25.Handle
- 26.Roller

Required tools

- Crescent wrench
- Philips head screw-driver (electric if possible)
- Strait head screw-driver
- Level
- Caulk gun with 100% silicone caulk
- Customer support—call 866-STEAM-61

Installation Instructions for M-A021

Step ONE: Place the base in the area where the shower will be used. To level the base, adjust the all anchor bolts and then tighten the tapping screw caps. Remember to caulk in-between all panel and base and top. This is a steam shower. All seams and joints **MUST** be sealed.

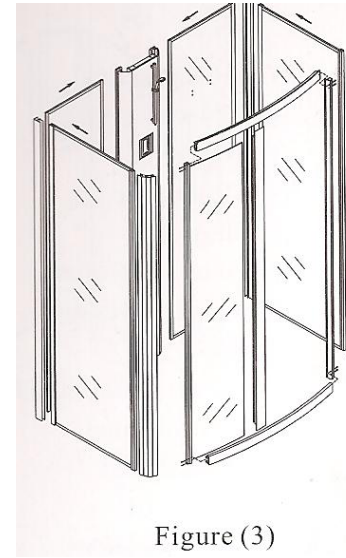
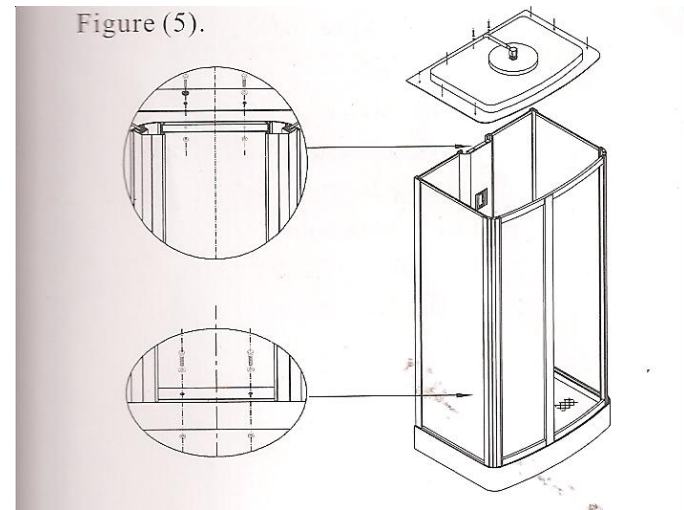


Figure (3)

Step TWO: Prepare the base for the installation of the other parts. Carefully place the main plate into the base. Now connect it with the base by screwing in hexagonal bolts into the base. Slide the back into the slot in the side of the main control panel. The back panels are labeled (R and L).



Step THREE: Slide the appropriate side glass panel into the chrome channel and attach it each side panel.

Step FOUR: Slide the two chrome side pillars on to the glass door assembly. Place the entire assembly on to the base and slide the open side of the pillars over the side panels. Secure the glass doorframe with screw at the bottom center of the door.

Step FIVE: Secure the top of the steam shower with M6x50 hexagonal bolts and sheet metal screws where appropriate.

Step SIX: Move the installed steam shower to the place you originally desired and check whether all the anchor bolts are all reaching the floor. Calk the inside joints and seams for final finish.

Step SEVEN: Water and electrical connection:

Connect the cold and warm water pipes. See more details on page 5 for water and electrical specifications. For installation additional electrical information see the back of the main power box located on the back of the unit.

Do not connect the wire with ozone (O3).

Connect the power source to the electrical connection box on the back of the unit using 10-2 or 12-2 wire on a dedicated circuit. The circuit should be a 20 AMP GCFB with a internal neutral wire.

*All four sides must have enough clearance to be accessible for installation.

220 Volt Unit:

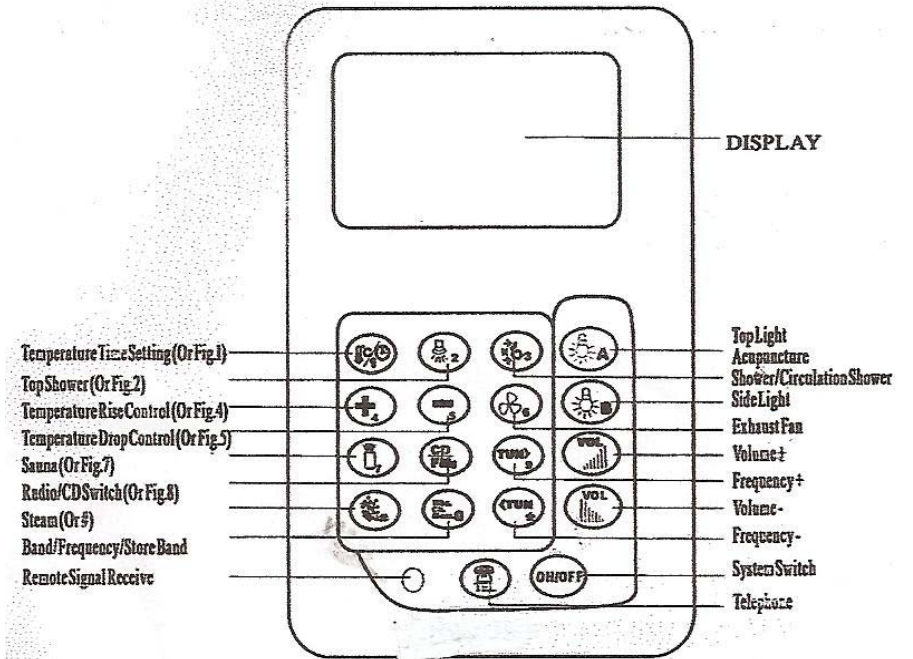
Brown Wire-Hot

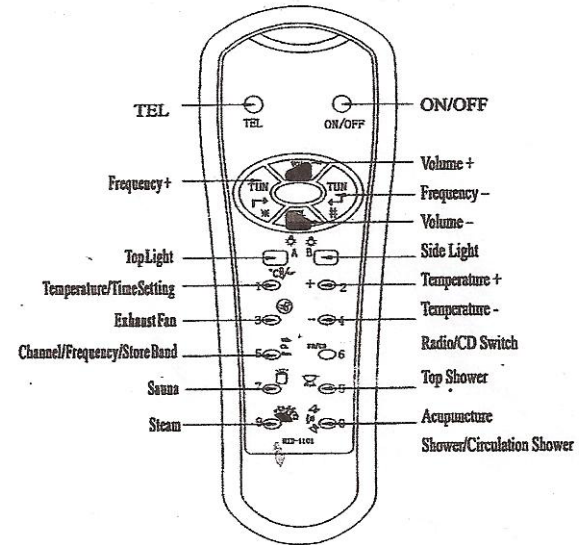
Blue Wire-Hot

Yellow/Green Wire-Ground

Reminder: After assembly do not move unit for at least five (5) days to ensure that caulk has dried completely.

Steam Room: Control Panel





- 1.) When the display shows “----“ this means that there is no CD and the radio is not tuned. Please insert a CD or tune the Radio.
- 2.) The Ventilator Switch, Steam switch, Top Shower Switch, Top Light Switch and the Side Lamp Switch are all single functional switches. After pressing System Switch ON, press these switches to use these options. To turn them off, press the switch again.
- 3.) Acupuncture Shower/ Circulation Shower Function: After pressing System Switch ON, press Acupuncture/Circulation Shower switch to start Upper shower function, press it a second time to switch to the Mid Shower Function, press it a third time to switch to Lower Shower Function, press it a third time to switch it to the Circulation shower function, press it a fifth time to stop. (Upper, middle and lower shower functions are not available simultaneously)
- 4.) Radio: Press on, press “CD/FM” switch to enter into the Radio function. To change stations, press “TUN”.

5.) To Store a station in the Memory, select the station and then hold “Band/Frequency/Store Band” key until the screen displays “Mem”. At most 26 stations can be stored.

6.) Volume: When “CD/FM” is ON, hold “VOL” switch.

7.) Time Temperature Setting: When steam is ON, press “Time/Temperature Setting” switch. To set the time and temperature of the steam, press “+” or “-”.

8.) Dry Steam: Press “Dry Steam” switch to turn on the dry steam unit. Press is again to turn it off. Dry steam and wet steam cannot be turned on at the same time.

9.) ON/OFF: Press the ON/OFF switch to turn the unit ON. This will automatically turn the top lamp lights on. To turn it off press the ON/OFF switch again.

10.) Telephone: When there is an incoming call, the system will automatically turn off the CD and Radio functions and the speaker will “ring”. Press “TEL” switch to answer the call (speaker phone). Press “TEL” again to end the call. To Dial out, press “TEL” switch to dial a number. Then press the number keys on the panel to dial the number, press “TEL” again to end the call. When “TEL” is ON during a call, you can adjust the volume by pressing “VOL”.

11.) Ozone function: After turning the unit OFF, the system will automatically turn ON the Ozone function and sterilize for 10 minutes (do not stay in the room during these 10 minutes because it generates a bad smell).