



Rough Only for Thermostatic Without Volume Control

Rohl Country Bath Collection

A4913BO

FEATURES

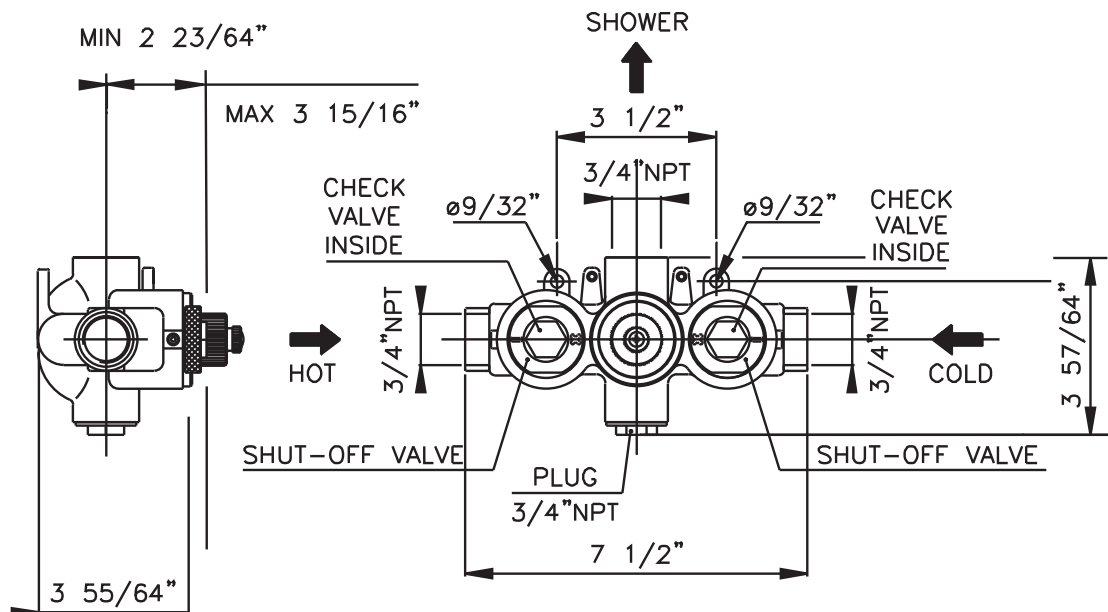
- 1/2-turn service stops with screens
- Bottom outlet for tub spout only
- Rough valve for thermostatic temperature/ NON-volume trim
- Temperature control only
- Flow rate 16 GPM at 45 PSI
- 3/4" inlets and 2 x 3/4" outlets
- Complete with mud guard for installation
- Standard 3/4" nipple required to plumb from top& bottom outlets (not supplied)
- **To complete, must order A4914, A2914, A4714, A4814, or A4014 trim sets**

COLORS/FINISHES

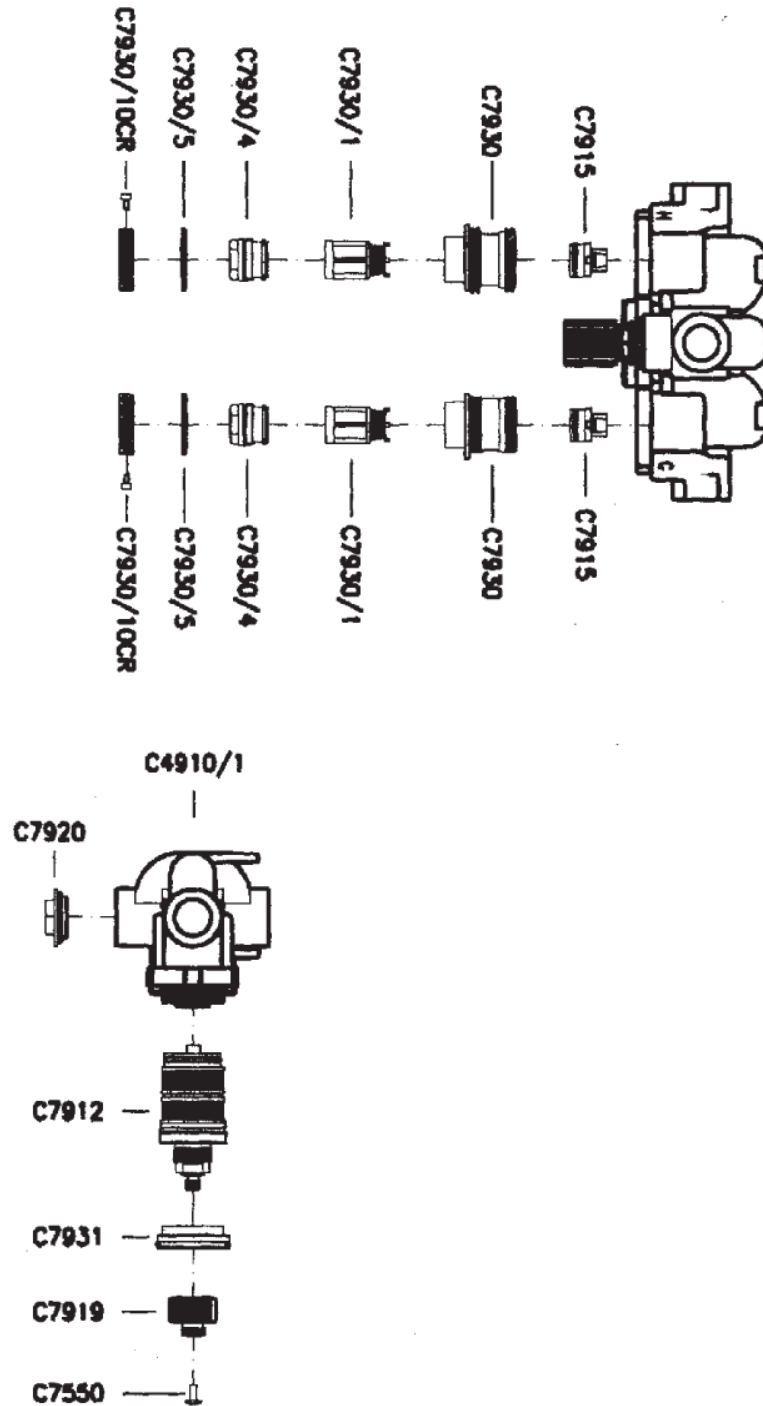
N/A

WARRANTY

- Limited Lifetime



A4913BO Spare Parts



A4913BO Technical Information

Please note: Most installations are custom. This is a rough guide for plumbing a simple shower system.

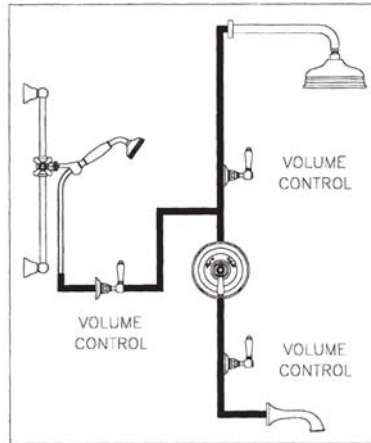
VOLUME CONTROL(S) A4911BO MUST BE ORDERED SEPARATELY !

Pictured to the right is a typical thermostatic system:

1. There is one thermostatic valve A4913BO WITH TRIM KIT A4914.
2. There are three functions:
 - a. Showerhead
 - b. Hand shower
 - c. Tub filler
3. There are separate volume controls for each function.
 - a. A high flow diverter A2700 is available, but you need one volume control at least to control a diverter system.
4. The bottom outlet is for volume control and tub filler only. Use of the bottom outlet and top outlet together will result in inconsistent temperature delivery.

SYSTEM REQUIREMENTS:

1. 50 PSI is recommended if you run 2 outlets at once.
2. Water heater capacity: 100 gal recommended. The valve runs at 16 gallons per minute (gpm). For on demand water heater systems, we recommend a 25 gallons standard water heater plumbed in line for consistent temperature delivery.
3. Body sprays should be installed in a loop for consistent flow.
4. A larger drain may be necessary if 2 or more valves are in one shower.
5. Well systems must have consistent flow and pressure for the valve to operate properly. Fluctuating pressure will cause inconsistent temperature delivery. Check your system



SERVICING

Using the service stops

THE SHUT-OFF VALVE IS NOT A STOP COCK, BUT ONLY A VALVE THAT ALLOWS TEMPORARY SHUT-OFF FOR MAINTENANCE OPERATIONS LIKE FILTER CLEANING, FLUSHING THE VALVE AND CARTRIDGE REPLACEMENT

Do not leave the valve unattended during servicing. Do not leave the service stops in the off position with the thermostatic cartridge removed for any longer than servicing is necessary. No longer than 15 minutes.

When the valve is closed, you could notice a slight drip. This is normal. DO NOT ALLOW THE WATER TO COLLECT IN THE WALL CAVITY. FUNNEL THE WATER AWAY FROM THE INNER WALL CAVITY TO THE SHOWER STALL.

