

T~TRAK

SYSTEM CONNECTORS

GENERAL PRODUCT INFORMATION:



This product is suitable for indoor dry locations only.

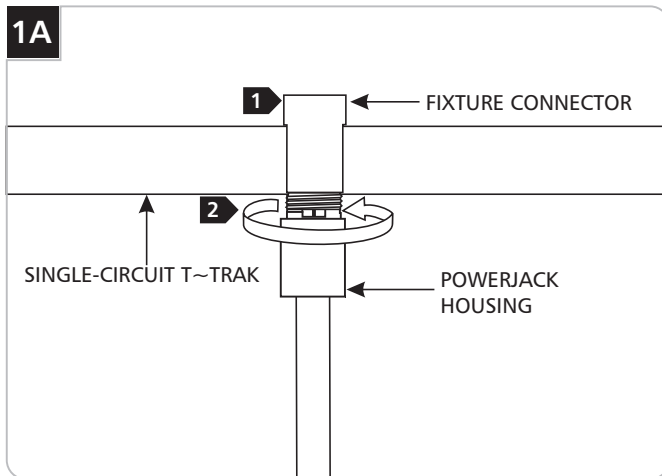
This product is intended for use only with Tech Lighting Single-Circuit T~trak™ system.

This product is patented (U.S. PAT. 7,172,332).



NOTE: Turn off power to the Single-Circuit T~trak before installing, removing, or relamping the fixture.

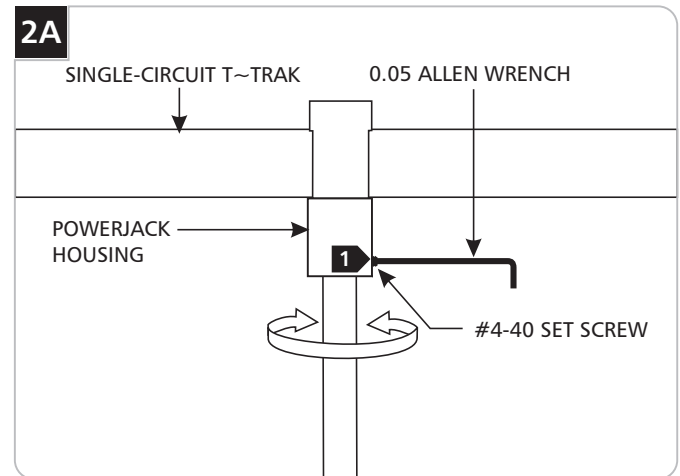
Install the Line Voltage Head Fixtures



- 1** Install the fixture connector over the Single-Circuit T~trak.
- 2** Line up the PowerJack housing with the fixture connector and screw them together. Make sure not to cross thread.

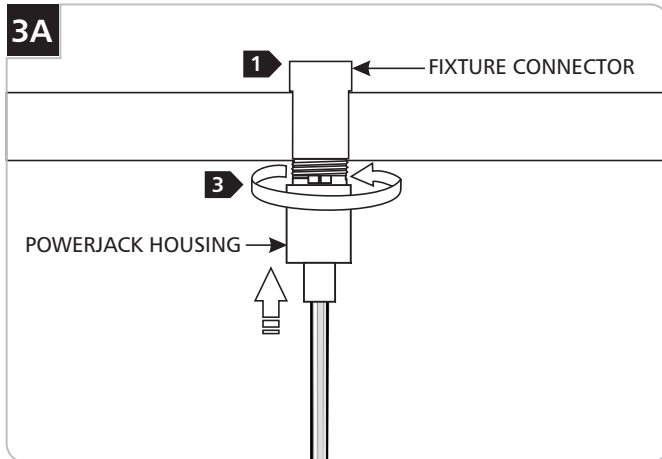
NOTE: In case of cross threading, unscrew the fixture connector from the PowerJack housing and repeat steps 1 & 2.

SPECIAL INSTALLATION: Locking the Fixture in Permanent Position (Optional)



- 1** To lock the fixture head in a permanent horizontal position, tighten the #4-40 set screw on the PowerJack housing with the provided 0.05 Allen wrench.

Install the Line Voltage Pendant Fixtures



- 1 Install the fixture connector over the Single-Circuit T~trak.
- 2 Line up and mate the socket contacts with the fixture connector contacts.
- 3 Slide the PowerJack up and tighten it to the fixture connector.

NOTE: In case of cross threading, unscrew the fixture connector from the PowerJack housing and repeat steps 1 through 3.

SAVE THESE INSTRUCTIONS!

T~TRAK
a brand of **TECH LIGHTING**

7400 Linder Ave, Skokie, IL 60077
847.410.4400

www.ttraklighting.com

© 2010 Tech Lighting, L.L.C. All rights reserved. The "T~trak" graphic is a registered trademark of T~trak™. T~trak™ reserves the right to change specifications for product improvements without notification.
A Generation Brands Company