



1. LAY OUT THE WARMLY YOURS WARMING SYSTEM ROLL(S)

Lay out the roll(s) in accordance with the design layout and instructions provided by WarmlyYours.

2. TEST THE CIRCUIT CHECK¹

Before connecting any wires, install the batteries in the device and turn it “on” and “off” to test the alarm.

After confirming that the alarm is in good working order, connect the wires as follows:

- Connect 1st inner conductor core wire to the Black terminal.
- Connect 2nd inner conductor core wire to the Red terminal.
- Connect both ground sheaths to the Green terminal.

Turn on the Circuit Check and touch the ground sheath to one of the inner conductor wires. This should activate the alarm.

If the Circuit Check does not pass all these tests, please call WarmlyYours Customer Service at (800) 875-5285.

3. ACTIVATE THE CIRCUIT CHECK AND PROCEED TO INSTALL FLOORING

4. IF THE CIRCUIT CHECK ALARM SOUNDS, STOP!

The alarm sounding indicates a short in the circuit or break in the system. Check the trouble shooting guide in the WarmlyYours installation manual or call **24/7 Installation Support at (800) 875-5285**.

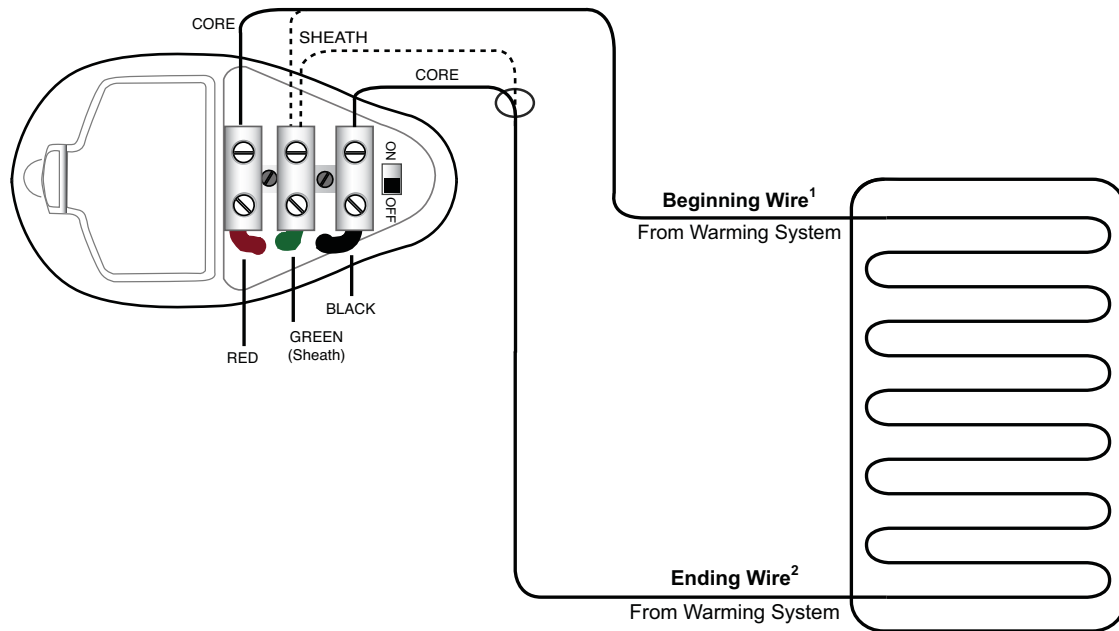
WarmlyYours will supply a splice kit to repair the short for the cost of S & H. Alternatively, the wire may be repaired by an electrician.

Note¹: This device is NOT an Ohm meter. WarmlyYours requires that the roll be tested before, during and after installation with a Digital Ohm meter.

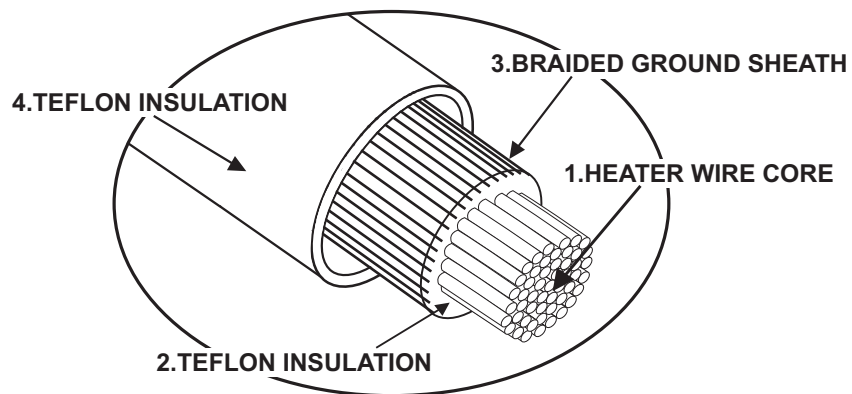
**Please turn over to view detailed illustrations for wiring
Tempzone to the Circuit Check**



Wiring Tempzone to Circuit Check



Wire Construction



Notes:

1. "Beginning" wire is the lead wire from the start of the warming system roll.
2. "End" wire is the lead wire from the end of the warming system roll.