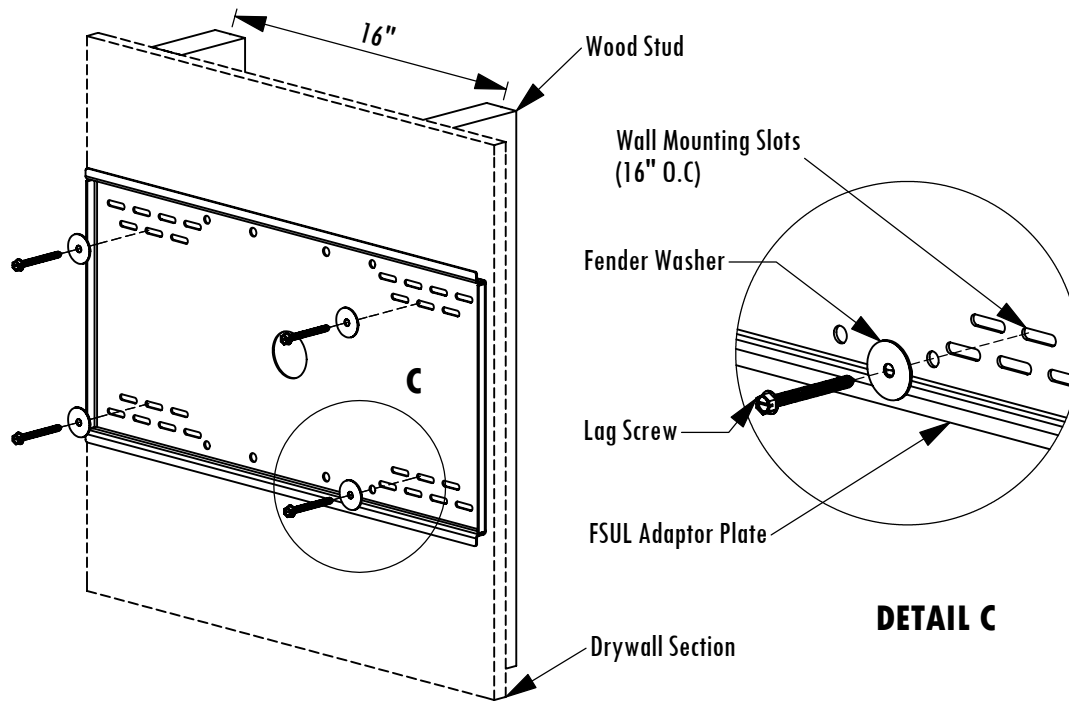


FSUL Wall Mount Installation

FSUL Series Installation Instructions



DETAIL C

FSUL Wall Mount Installation

Wood Lag Screws are provided for wood stud installations. For concrete or metal studs, use the WMAAB4, concrete anchor bolt kit, or WMATB4, toggler bolt kit, and follow the instructions specific to these fasteners.

1. Find two wood studs in the wall on 16" centers. Determine the best possible viewing location on the wall.
2. Using the FSUL Adaptor Plate as a template, mark the locations for four wood screw pilot holes.
3. Drill the four pilot holes using a 1/8" drill bit, 2-3/4" deep.
4. Attach the FSUL Adaptor Plate to the wall using the four provided Lag Screws and Fender Washers. (DETAIL C)

FSUL Adaptor Plate Installation

Use the hardware provided with the Flat Screen Mount (purchased separately) to attach the FSUL Adaptor Plate to the Flat Screen Mount Front.

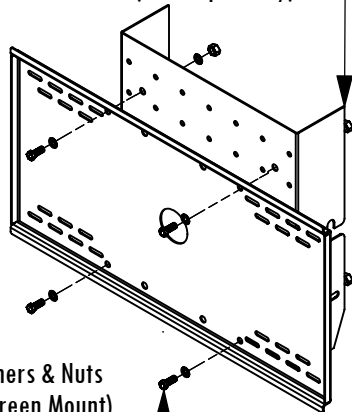
Attaching Channels

1. Carefully pick up the monitor with FSUL Channels attached and hook the Channel Slots over the FSUL Adaptor Plate. (DETAIL D)
 2. Slide the monitor with attached channels on the adaptor plate until it is centered on the plate.
 3. Reach under the monitor and tighten the Retaining Screws using the provided Hex Wrench. Screw in only until the screws contacts the Adaptor Plate Lip bend. (DETAIL E)
- Caution: **DO NOT OVERTIGHTEN** the Retaining Screws and check to make sure the Adaptor Plate Lip is trapped behind the screws.

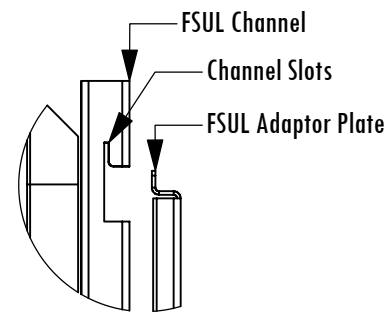
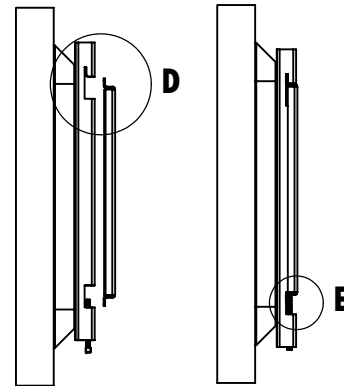
FSUL Adaptor Plate Installation

Side View with Monitor Attached

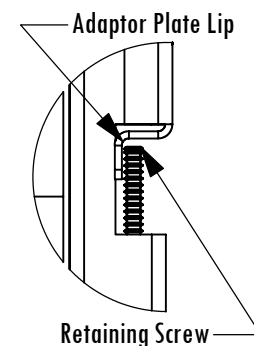
Flat Screen Mount Front (Sold Separately)



5/16-18 Bolts, Washers & Nuts
(Included w/ Flat Screen Mount)
(Sold Separately)



DETAIL D



DETAIL E