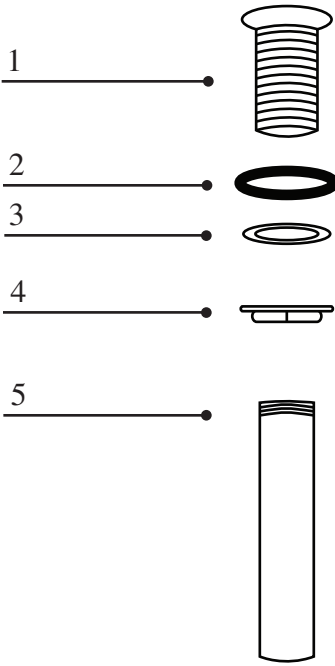




INSTALLATION INSTRUCTIONS 1.5" Tear Drop Drain, DR150

1. Separate all mounting hardware as shown.
2. Place foam seat washer (not shown) directly under the seat (1). Apply by using 100% Silicone (non-water based).
3. Put seat (1) Directly into drain opening of the sink.
4. From underneath the sink slide the Rubber Gasket (2), the Retaining Washer (3), and the Lock Nut (4) onto the Threaded Seat (1) and tighten into position.
5. Wrap the threads on the Tailpipe (5) with Teflon Tape.
6. Install Tail Pipe (5) into the bottom of Seat (1)



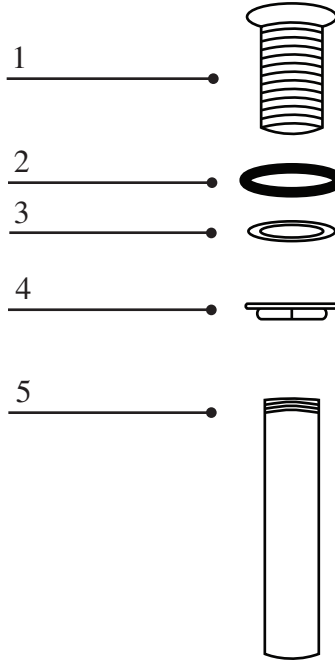
Remove all excess putty around the drain after the drain has been installed

WWW.NATIVETRAILS.NET



INSTALLATION INSTRUCTIONS 1.5" Tear Drop Drain, DR150

1. Separate all mounting hardware as shown.
2. Place foam seat washer (not shown) directly under the seat (1). Apply by using 100% Silicone (non-water based).
3. Put seat (1) Directly into drain opening of the sink.
4. From underneath the sink slide the Rubber Gasket (2), the Retaining Washer (3), and the Lock Nut (4) onto the Threaded Seat (1) and tighten into position.
5. Wrap the threads on the Tailpipe (5) with Teflon Tape.
6. Install Tail Pipe (5) into the bottom of Seat (1)



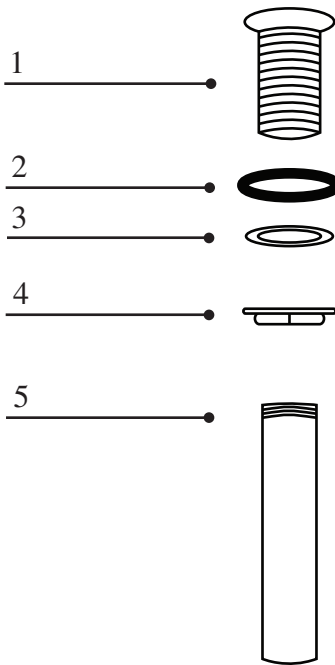
Remove all excess putty around the drain after the drain has been installed

WWW.NATIVETRAILS.NET



INSTALLATION INSTRUCTIONS 1.5" Tear Drop Drain, DR150

1. Separate all mounting hardware as shown.
2. Place foam seat washer (not shown) directly under the seat (1). Apply by using 100% Silicone (non-water based).
3. Put seat (1) Directly into drain opening of the sink.
4. From underneath the sink slide the Rubber Gasket (2), the Retaining Washer (3), and the Lock Nut (4) onto the Threaded Seat (1) and tighten into position.
5. Wrap the threads on the Tailpipe (5) with Teflon Tape.
6. Install Tail Pipe (5) into the bottom of Seat (1)



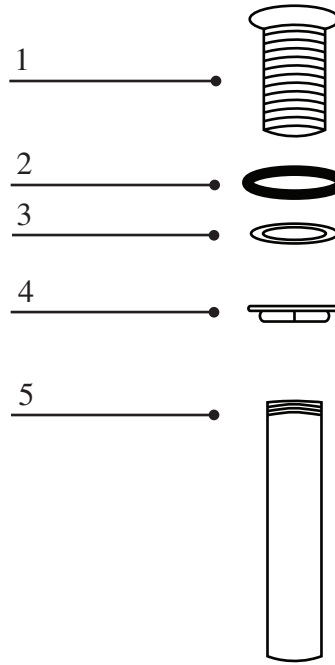
Remove all excess putty around the drain after the drain has been installed

WWW.NATIVETRAILS.NET



INSTALLATION INSTRUCTIONS 1.5" Tear Drop Drain, DR150

1. Separate all mounting hardware as shown.
2. Place foam seat washer (not shown) directly under the seat (1). Apply by using 100% Silicone (non-water based).
3. Put seat (1) Directly into drain opening of the sink.
4. From underneath the sink slide the Rubber Gasket (2), the Retaining Washer (3), and the Lock Nut (4) onto the Threaded Seat (1) and tighten into position.
5. Wrap the threads on the Tailpipe (5) with Teflon Tape.
6. Install Tail Pipe (5) into the bottom of Seat (1)



Remove all excess putty around the drain after the drain has been installed

WWW.NATIVETRAILS.NET