

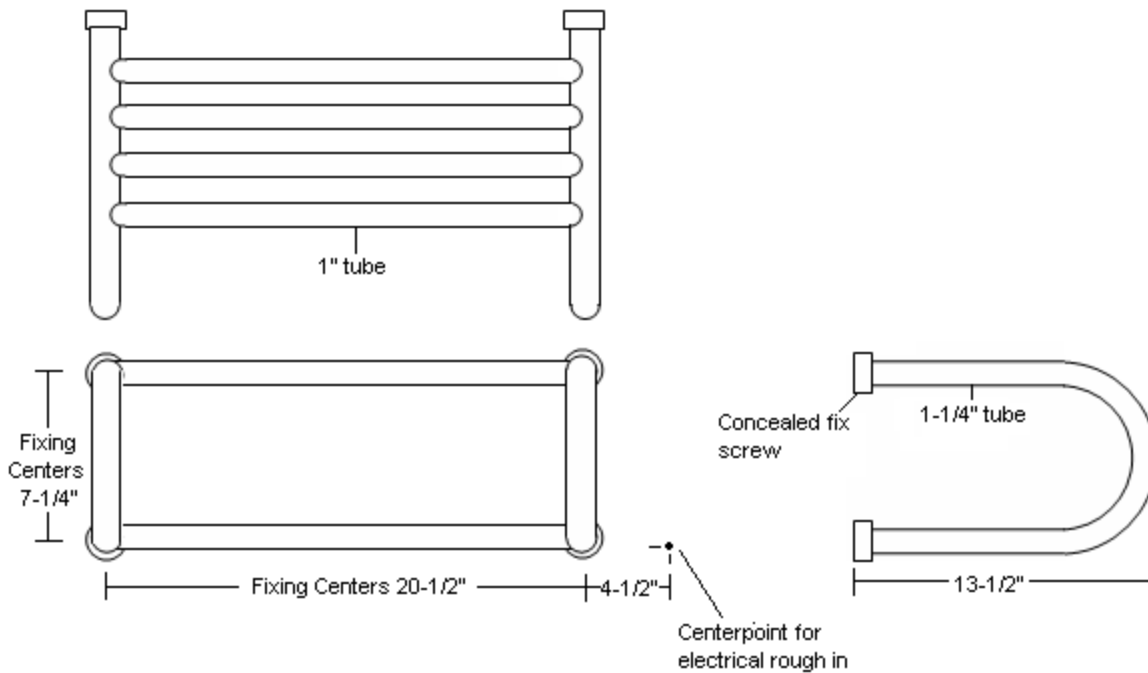
AR70S[®] Towel Warmer

MONTPELLIER

TECHNICAL SPECIFICATIONS

Rev 07/08

MODEL# T-MONT



ELECTRIC VERSION Element specifications 200W, 110V, 48" cord, UL approved.

CARE & MAINTENANCE A periodic wash using warm water and a soft cloth will retain the high quality finish of your towel warmer for many years to come. ON NO ACCOUNT should any household bleaches, detergents, abrasive polish, steel wool or similar cleaning agents be used on this product.

WALL FIXING Towel warmer brackets must be securely fastened to either masonry, wall studs or plywood board in accordance with the fitting instructions.

PACKAGING Packaged for regular FedEx type shipping.

WARRANTY Frame 5 years – Heating element 1 year.

WIRING DIAGRAM

