

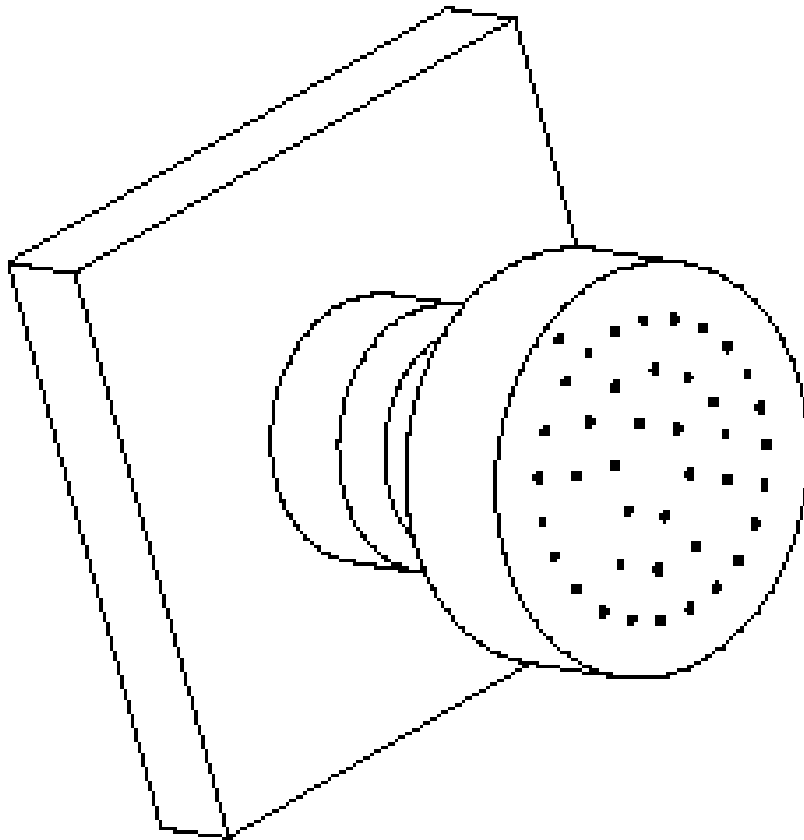
ARTOS®

www.artos-westover.com

Installation Guide

Body Jet

F303-7

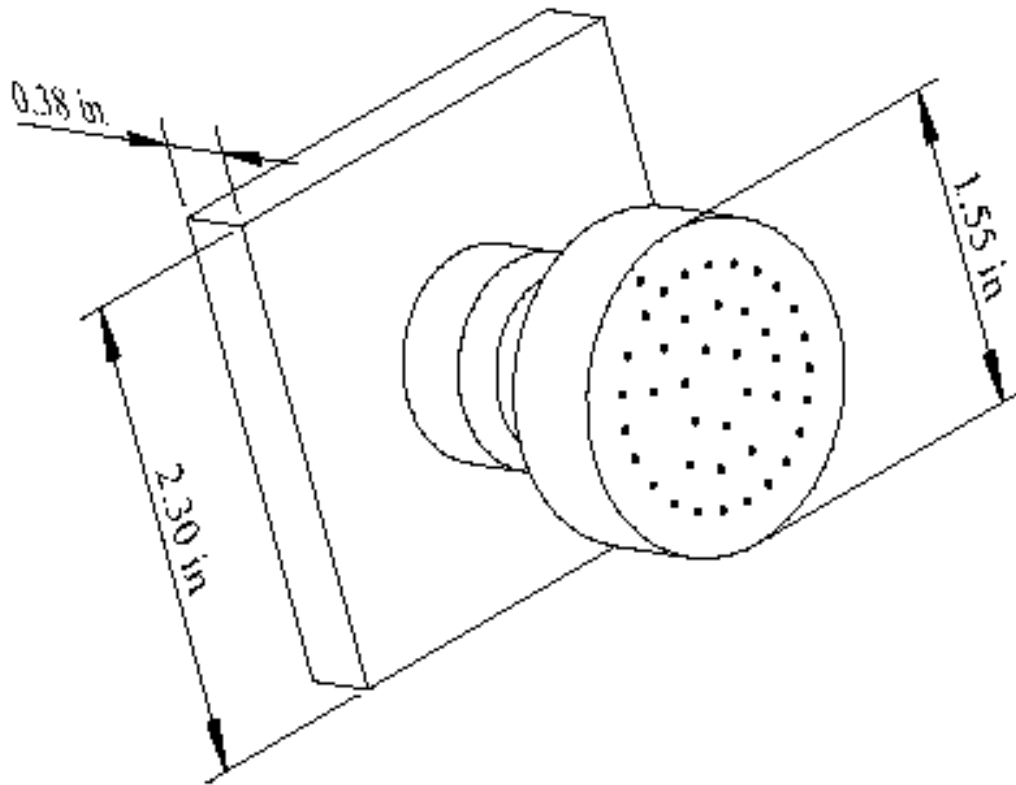


30370411

This publication is for illustrative purposes only and we reserve the right to change details at anytime as deemed necessary.

(fig A)

DIMENSIONS



SPECIFICATIONS

Recommended flow pressure between 15 and 75 psi. Above 90 psi it may be necessary to install a pressure reducer. Maximum operating temperature 176F

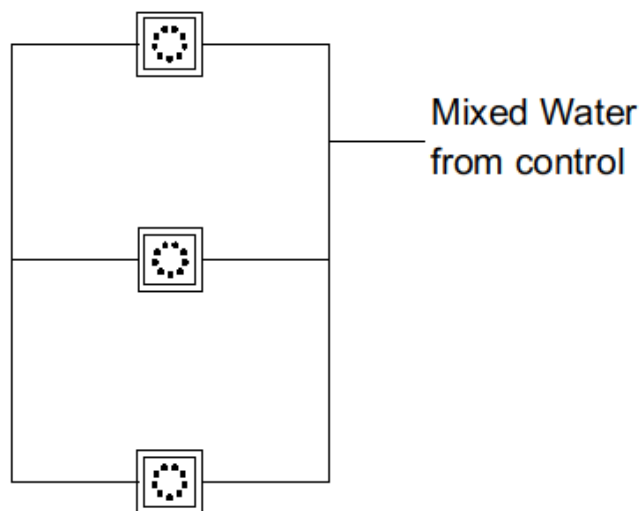
30370411

INSTALLATION STEPS

1. Plan layout of body jets to suit requirements. Generally, the jets are aimed at shoulder, lumbar and sometimes thigh muscles. The heads are adjustable and therefore if designing for 2 users, set the position of jets midway between required heights
2. Pipe work should be arranged to form a continuous loop to ensure even flow (see fig B)
3. Any number of jets can be used bearing in mind that each jet will require 1.5gpm of supply
4. Prepare rough in connections in the wall to with reference to position of escutcheon in relation to finished wall surface
5. Push escutcheon on to the body jet inlet (fig A)
6. After making the connection, push escutcheon back against finished wall surface
7. Turn on water supply and check for water tightness

FIG B

LAYOUT



CARE & MAINTENANCE

For best results, keep the following in mind to retain the high quality finish of your *ARTOS* faucet:

- Use a soft, dampened sponge or cloth. On no account should you use an abrasive material such as a brush, scouring pad or steel wool to clean surfaces.
- Test your cleaning agent solution on an inconspicuous area before applying to the entire faucet.
- Wipe surfaces clean and rinse completely with water immediately after applying cleaning agent.
- An ideal cleaning technique is to rinse faucet thoroughly and blot dry any water from the surface after each use.

LIMITED LIFETIME WARRANTY

ARTOS faucets are guaranteed for life against leaks and finishing defects for as long as the original purchaser owns it.

Damage caused by accident, misuse, abuse, improper installation, improper cleaning or alteration will void the warranty. This warranty does not cover replacement parts where damage is caused by normal wear and tear. Westover, Inc is not responsible for labor charges, installation or other incidental or consequential costs. Proof of purchase must be provided with all claims.

PLEASE REGISTER THIS PRODUCT ONLINE AT WWW.ARTOS-WESTOVER.COM

Item No
Serial No

30370411