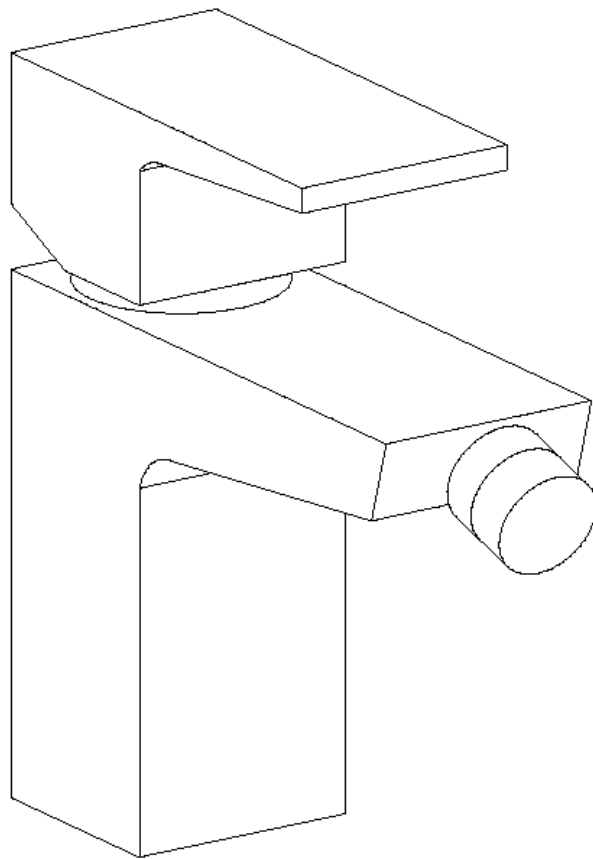


ARTOS[®]

www.artos-westover.com

Installation Guide

Safire Bidet Faucet F701-6

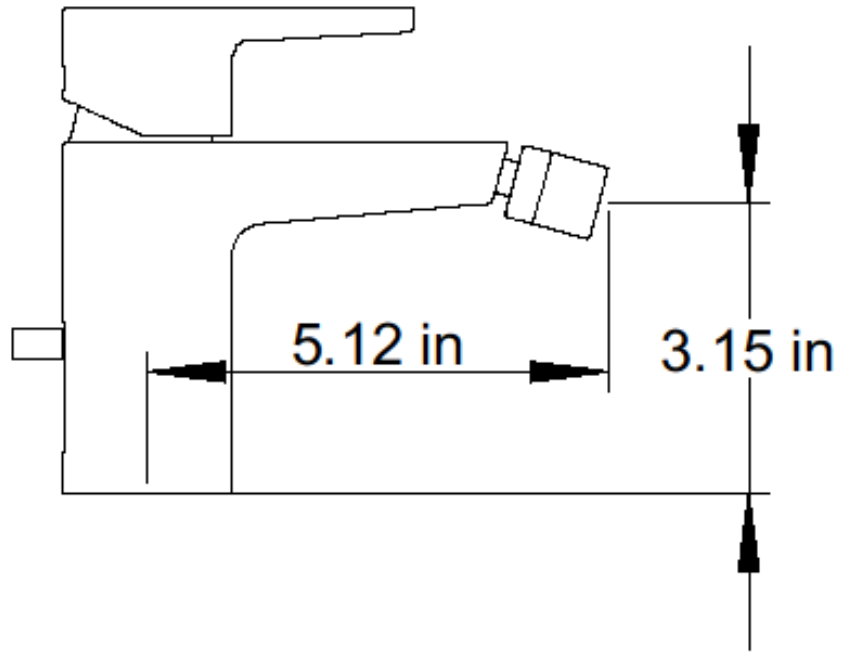


70160411

This publication is for illustrative purposes only and we reserve the right to change details at anytime as deemed necessary.

Fig A

DIMENSIONS



SPECIFICATIONS AND STANDARDS

- Recommended flow pressure between 15 and 75 psi. Above 90 psi it may be necessary to install a pressure reducer. Maximum operating temperature 176°F

INSTALLATION STEPS

- Screw the flexible inlet hoses into the body of the mixer.
- Screw the stay bars into place
- Place the mixer on the wash basin
- Fit washer and locking washer onto the stay bars and secure locking nuts with wrench provided
- Install drain assembly into basin
- Install pop-up lever through body of mixer.
- Join the pop-up lever to the drain rod with connector. Adjust the pop-up lever to ensure correct operation and tighten the connector in place.
- Connect the flexible inlet hoses to supply valves and check for water tightness

CARE & MAINTENANCE

For best results, keep the following in mind to retain the high quality finish of your *ARTOS* faucet:

- Use a soft, dampened sponge or cloth. On no account should you use an abrasive material such as a brush, scouring pad or steel wool to clean surfaces.
- Test your cleaning agent solution on an inconspicuous area before applying to the entire faucet.
- Wipe surfaces clean and rinse completely with water immediately after applying cleaning agent.
- An ideal cleaning technique is to rinse faucet thoroughly and blot dry any water from the surface after each use.

LIMITED LIFETIME WARRANTY

ARTOS faucets are guaranteed for life against leaks and finishing defects for as long as the original purchaser owns it.

Damage caused by accident, misuse, abuse, improper installation, improper cleaning or alteration will void the warranty. This warranty does not cover replacement parts where damage is caused by normal wear and tear. Westover, Inc is not responsible for labor charges, installation or other incidental or consequential costs. Proof of purchase must be provided with all claims.

PLEASE REGISTER THIS PRODUCT ONLINE AT WWW.ARTOS-WESTOVER.COM

Item No
Serial No

70160411