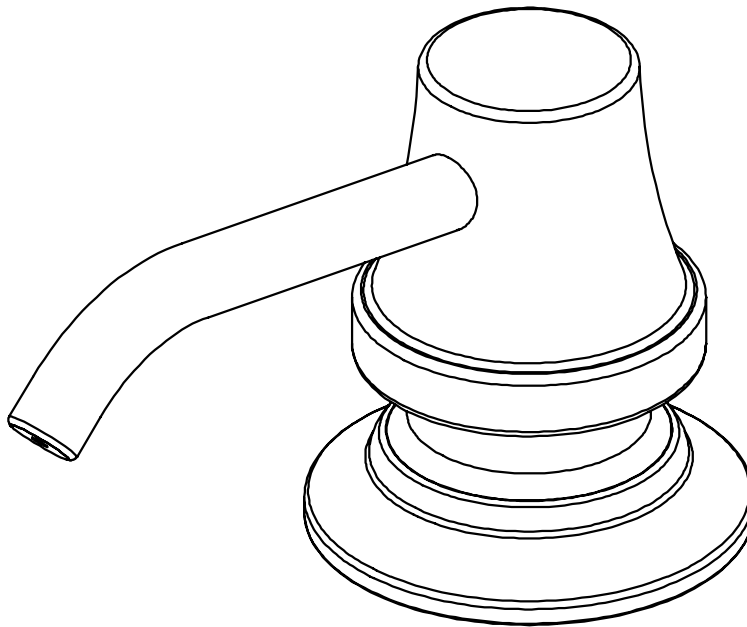


Instructions

40000-CH – Chrome
40000-BN – Brushed nickel
40000-BB – Brushed bronze



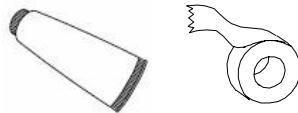
Soap Dispenser



*Image may vary slightly from actual product

Tools Required

Silicone sealant
Pipe Tape



Contact Us

For customer service please call 877-319-3757, or go to homewerksww.com.

Maintenance

Your new soap dispenser is designed for years of trouble-free performance.

Keep it looking new by cleaning it periodically with a soft cloth. Avoid abrasive cleaners, steel wool, and harsh chemicals as these will dull the finish and void your warranty.

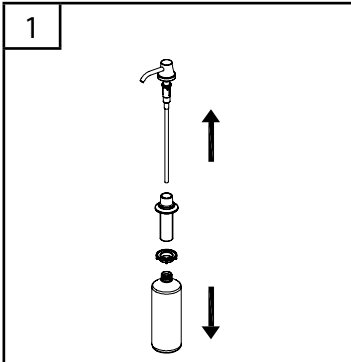
Instructions



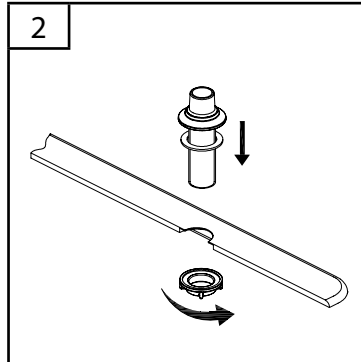
3060-5030-CH-A – Chrome
3060-5030-BN-A – PVD brushed nickel
3060-5030-BB-A – Brushed bronze

Soap Dispenser

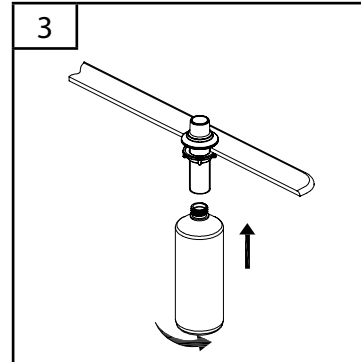
Preparations / Assembly



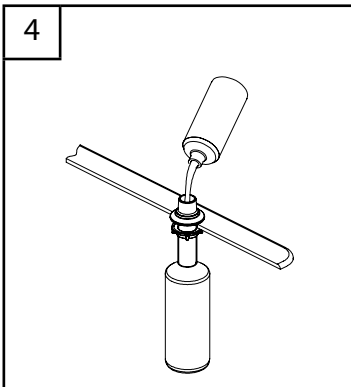
1 Remove the bottle. Separate soap dispenser head from flange body assembly.



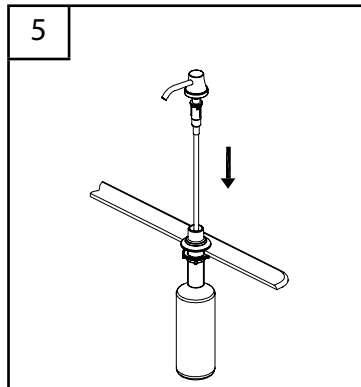
2 Insert body assembly through selected hole in sink. Secure body to sink by screwing the mounting nut from the underside of the sink clockwise. Hand tighten only.



3 Screw bottle clockwise onto body assembly shank.



4 Pour soap (not included) into the top of the flange.



5 Reinsert soap dispenser head onto top of the flange.

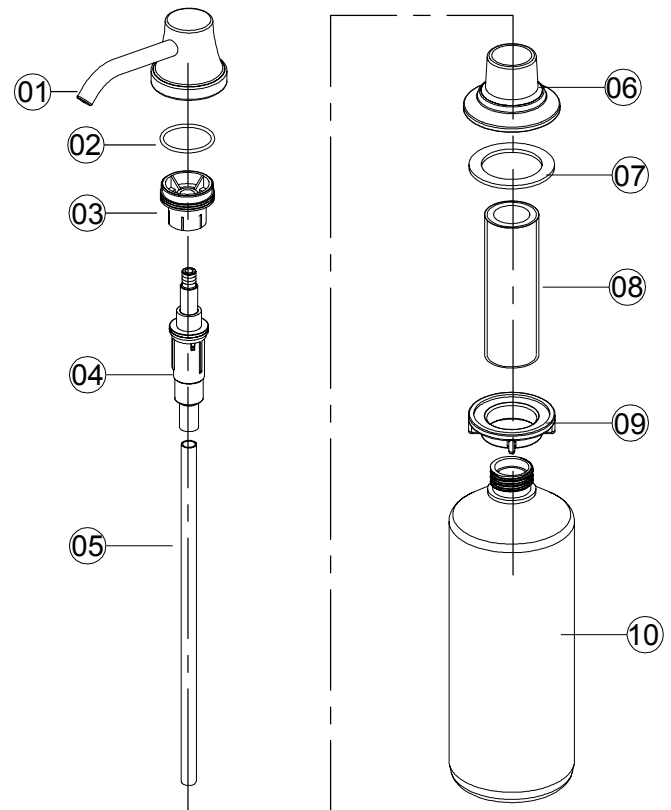
Specifications



Physical Characteristics

- Description: Soap Dispenser
- Cast brass dispenser body
- Flange Material: ABS
- Spring Material: HDPE
- Mounts from top of sink
- Plastic canister holds up to 16.9 oz (500 mL) of liquid soap
- Total Weight of Item: 183g

No.	Part Description	Material
1	Dispenser head	Brass C37700+C27000
2	O-ring	EPDM E7008F
3	Seat	ABS
4	Pump	PP+S.S302+S.S304+NBR
5	Straw	PE HDPE
6	Flange	ABS 727
7	Washer	EVA L-30
8	Shank	PP
9	Mounting nut	ABS
10	Bottle	PE



Rough-in

3060-5030-CH-A – Chrome
3060-5030-BN-A – PVD brushed nickel
3060-5030-BB-A – Brushed bronze



Soap Dispenser

